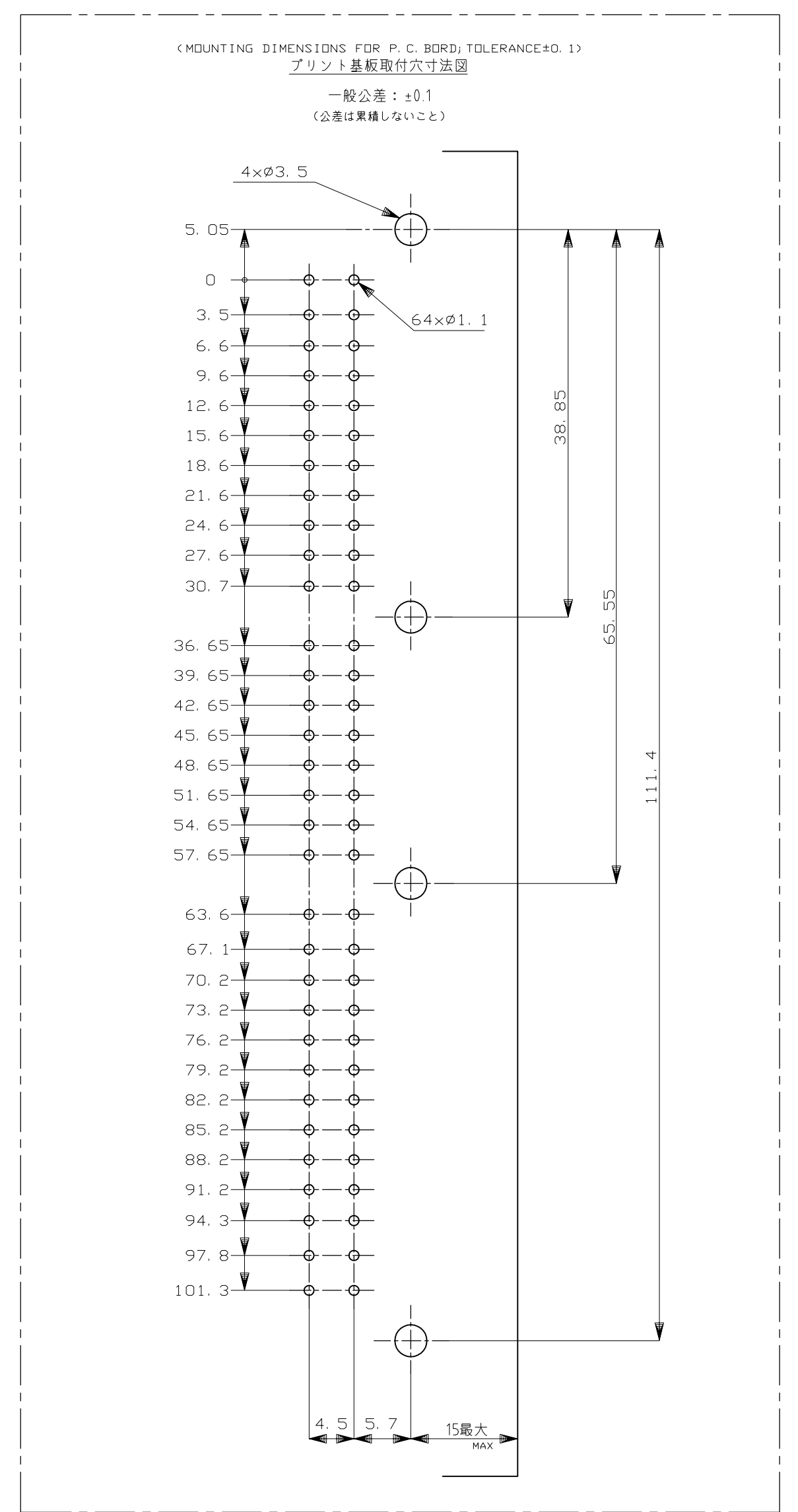
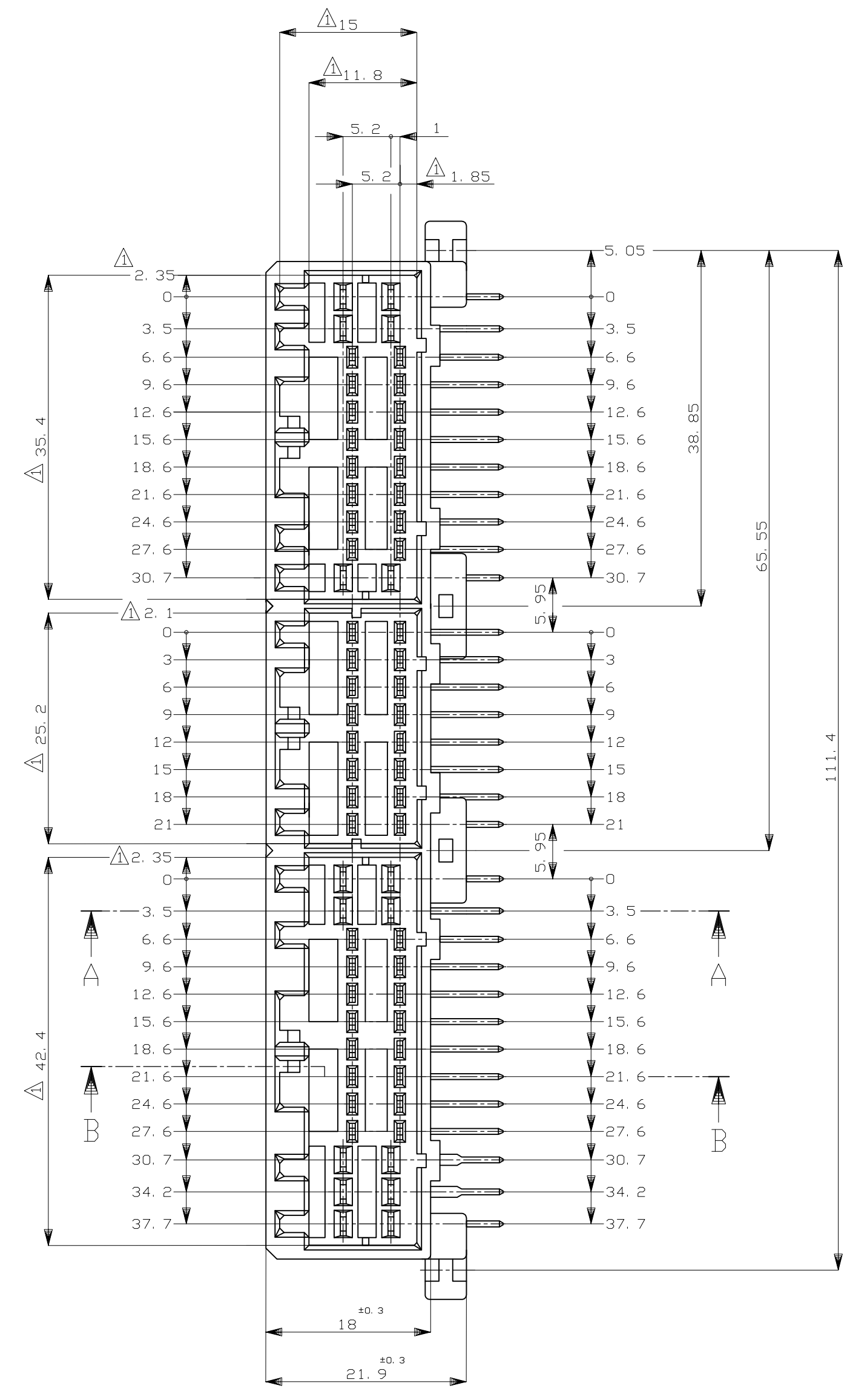
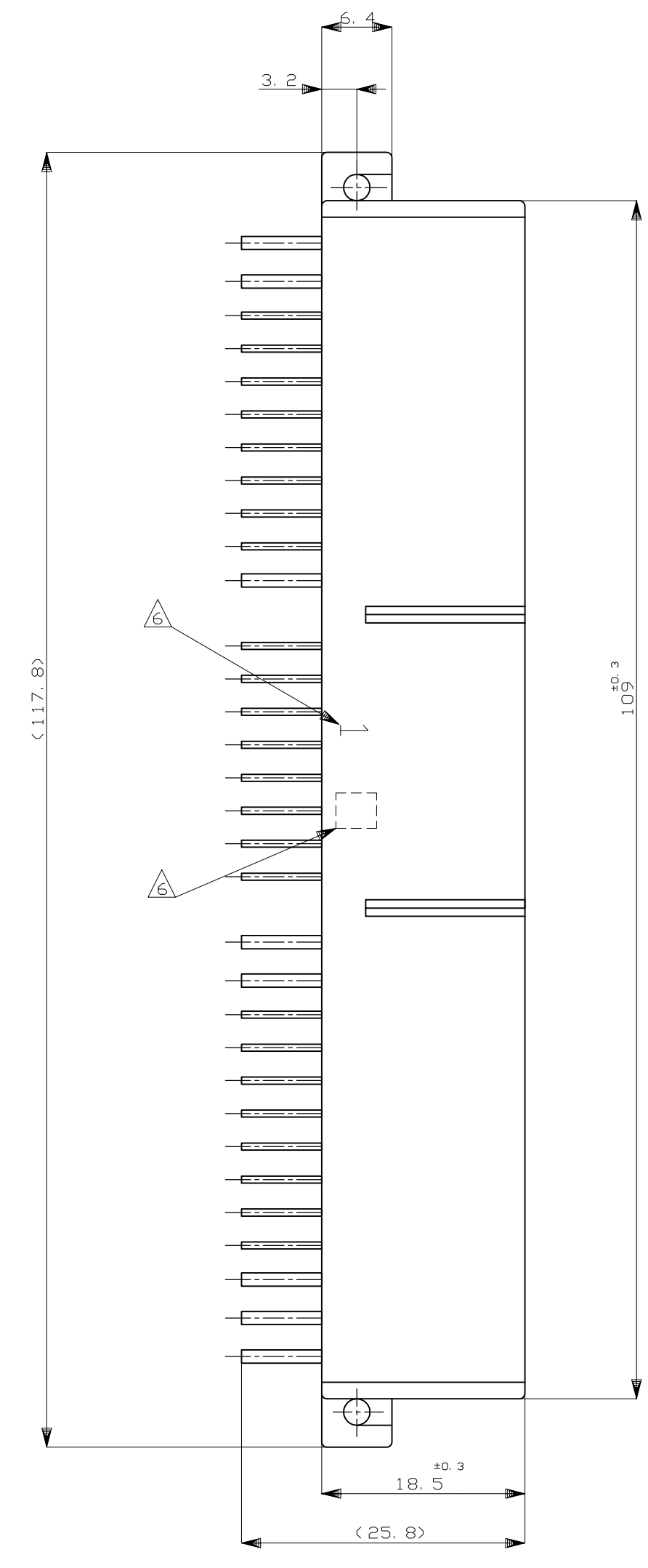
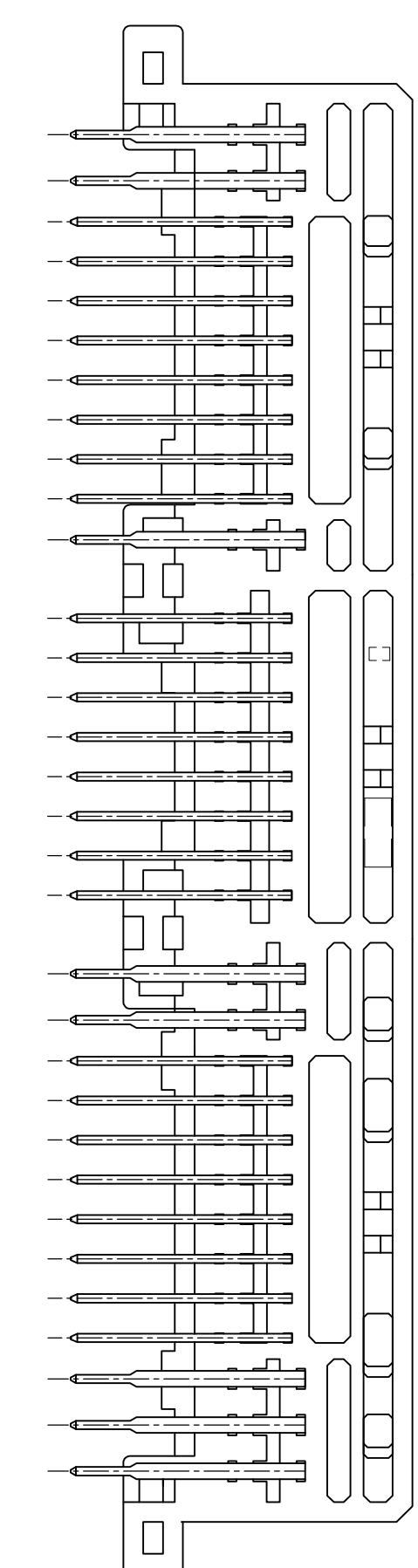
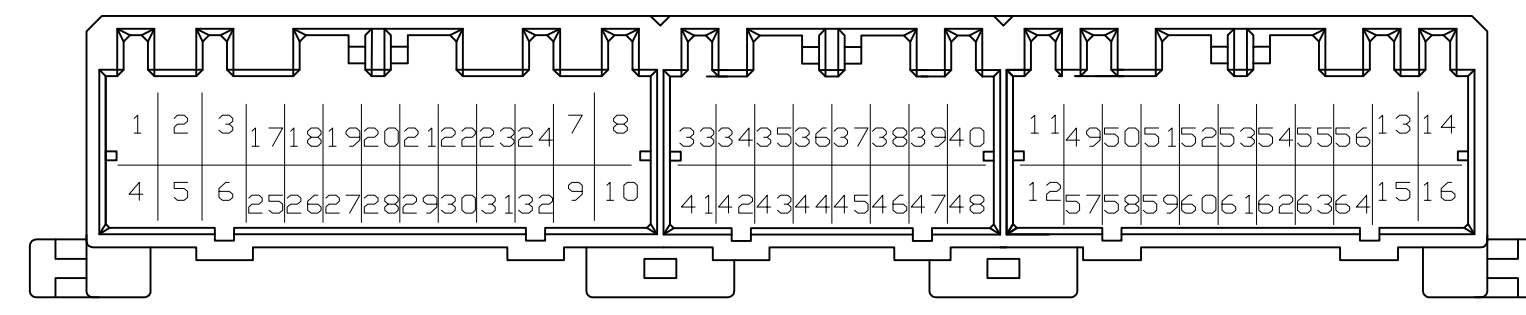


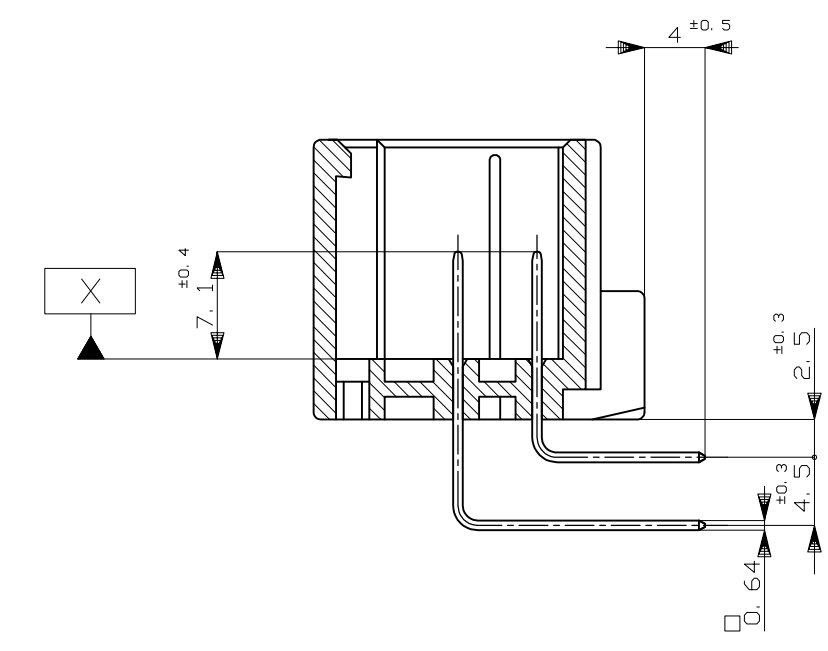
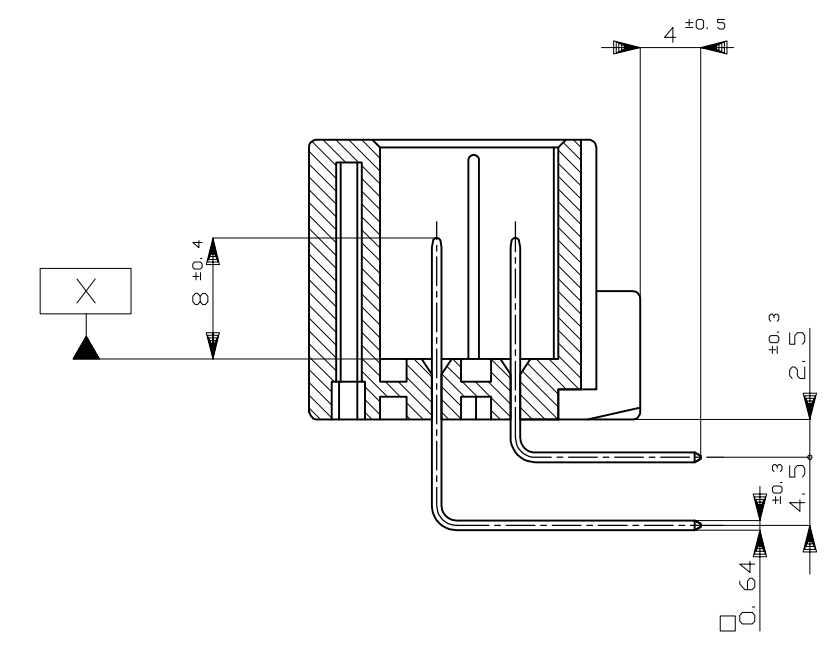
REVISIONS					
REV	DATE	DESCRIPTION	BY	CHK	APPV
H6	17AUG16	OBsolete 9--7 ECR-16-003196		KF	HY



- △ [X] 面から2mmの範囲で測定
- 2. 嵌合相手ハウジング型 174516, 174515, 174514, 917992, 917989, 917981
- 3. 推奨取付ねじ: JIS B1115, B1112 タップピンねじ, なべ2種
呼び径3, 長さ6mm以下 (締付けトルク: 0.4N-m (4kg-cm) 以下)
- 4. 適用製品規格番号: 108-5280, 108-5342
- △ 回路番号:
 パワー回路 ①~⑬
 シグナル回路 ⑰~⑳



- △ 適用製品型番のプリフィックス及びIDマークを
カバーホットマークにて表示
- 1. MUST BE KEPT BETWEEN [X] AND 2
- 2. THE MATING PLUG HSG.PART NUMBER:174516, 174515, 174514, 917992, 917989, 917981
- 3. RECOMMENDED MOUNTING SCREW:3mmDIA,6mmLENGTH(MAX)
PAN HEAD,CLASS 2 TAPPING SCREW SPECIFIED IN JIS B1115,B1122
(TIGHTENING TORQUE:0.4N-m(4kg-cm) MAX.)
- 4. APPLICABLE PRODUCT SPEC NO.: 108-5280, 108-5342
- △ CIRCUIT NUMBER
POWER CIRCUIT NO. ①~⑬
SIGNAL CIRCUIT NO. ⑰~⑳
- △ INDICATED PREFIX AND ID MARK OF PRODUCT P/N BY COLOR HOT MARK



REV	DESCRIPTION	DATE	BY	CHK	APPV
59	SELECTIVE-TIN (MATE) PRE-TIN x 56				
51	SELECTIVE-TIN (MATE) PRE-TIN x 64	1~16			
52	SELECTIVE-TIN (MATE) PRE-TIN x 16				
59	SELECTIVE-TIN (MATE) PRE-TIN x 8				
56	SELECTIVE-TIN (MATE) PRE-TIN x 56	14, 16			
9	TIN-LEAD PRE-TIN x 8				
9	TIN-LEAD PRE-TIN x 56				
8	TIN-LEAD PRE-TIN x 12				
7	TIN-LEAD PRE-TIN x 16				
6	TIN-LEAD PRE-TIN x 9	14, 16			
5	TIN-LEAD PRE-TIN x 24				
4	TIN-LEAD PRE-TIN x 22				
3	TIN-LEAD PRE-TIN x 52	7~10			
3	TIN-LEAD PRE-TIN x 52	7~10			
2	TIN-LEAD PRE-TIN x 16				
2	TIN-LEAD PRE-TIN x 48				
2	TIN-LEAD PRE-TIN x 16				
1	TIN-LEAD SELECTIVE GOLD x 64	1~16			
1	TIN-LEAD SELECTIVE GOLD x 64	1~16			
0	PRE-TIN x 64				
0	PRE-TIN x 64				

THIS DRAWING IS A CONTROLLED DOCUMENT.

DIN T. SHINOHARA 12FEB08
 CHK K. BETSUJI 12FEB08
 APPV K. BETSUJI 12FEB08

PRODUCT SPEC 取付用規格
 APPLICATION SPEC 取付用規格

SIZE A1 CAGE CODE 00779 DRAWING NO. 174518

WEIGHT 29.9 g

MATERIAL HOUSING: PBT CONTACT: BRASS

FINISH 仕上

GENERAL TOLERANCE
 DC<< 10 + .0.2
 10<< 30 + .0.25
 30<< 100 + .0.3
 ANGLES ± 3°

SCALE 2:1 SHEET 1 OF 1 REV H6

Mouser Electronics

Authorized Distributor

Click to View Pricing, Inventory, Delivery & Lifecycle Information:

[TE Connectivity:](#)

[174518-7](#)