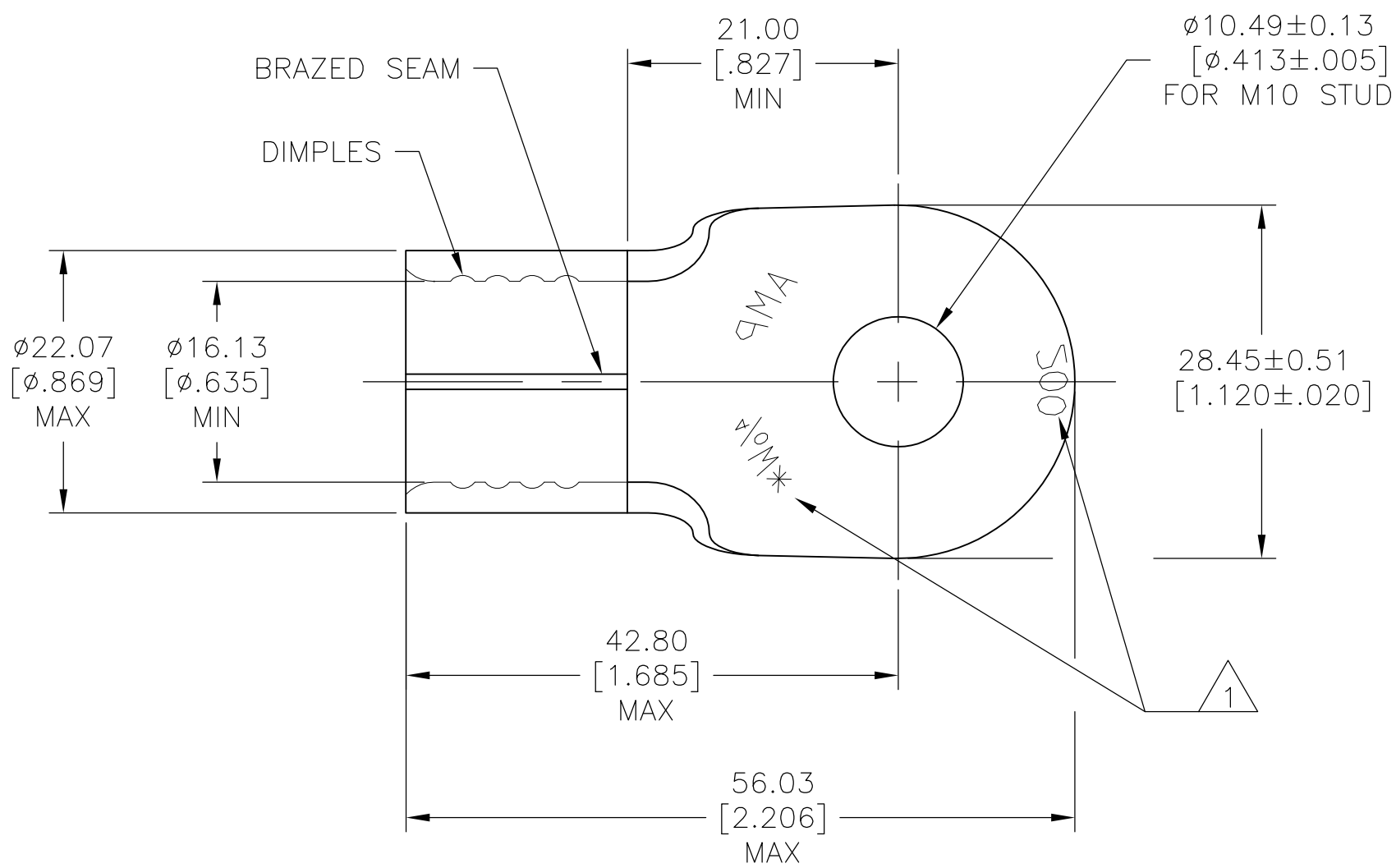


THIS DRAWING IS UNPUBLISHED. RELEASED FOR PUBLICATION  
 © COPYRIGHT - By - ALL RIGHTS RESERVED.

LOC	DIST	REVISIONS					
G	02	P	LTR	DESCRIPTION	DATE	DWN	APVD
		A1		REDRAWN PER ECO-12-018155	20MAR2014	NK	DR

- △ 1 STAMP AMP 4/0 W\* 200 APPROX AS SHOWN
- 2 MATERIAL THICKNESS 2.59±0.08[.102±.003]
- △ 3 MATERIAL: COPPER PER ASTM B152
- △ 4 FINISH: TIN PLATE PER ASTM B545



25	LOOSE PIECE	160129
QTY	PACKAGING	PART NUMBER

AMP INCORPORATED CUSTOMER SERVICE SYSTEMS		MAX RECOMMENDED OPERATING TEMPERATURE: 170°C [338°F] MAX	THIS DRAWING IS A CONTROLLED DOCUMENT.		DWN KIRAN HOLAL 29JAN13	TE Connectivity	RING TONGUE, SOLISTRAND WIRE SIZE 4/0								
FOR ADDITIONAL PRODUCT INFORMATION OR COPIES OF DRAWINGS AND TECHNICAL DOCUMENTS	PRODUCT INFORMATION CENTER 1-800-522-6752	VOLTAGE RATING: N/A	DIMENSIONS: mm [INCHES]	TOLERANCES UNLESS OTHERWISE SPECIFIED:	CHK ROHDE DANIEL 29JAN13		NAME								
FOR APPLICATION TOOLING INFORMATION	TOOLING ASSISTANCE CENTER 1-800-722-1111	WIRE: 96.3-117.0mm²[190,000-231,100] CIR MILLS SOLID OR STRANDED		0 PLC ± - 1 PLC ± - 2 PLC ± - 3 PLC ± 0.13[.005] 4 PLC ± - ANGLES ± 5°	APVD ROHDE DANIEL 29JAN13		PRODUCT SPEC	SIZE	CAGE CODE	DRAWING NO	RESTRICTED TO				
FOR ORDER ENTRY	1-800-526-5142	THIS DRAWING IS A CONTROLLED DOCUMENT FOR AMP INCORPORATED. IT IS SUBJECT TO CHANGE AND THE CONTROLLING ENGINEERING ORGANIZATION SHOULD BE CONTACTED FOR THE LATEST REVISION.	MATERIAL △ 3	FINISH △ 4	PRODUCT SPEC		APPLICATION SPEC	—	—	—	—				
			CUSTOMER DRAWING		WEIGHT	—	A3	00779	C-160129	SCALE	2:1	SHEET	1 OF 1	REV	A1

# Mouser Electronics

Authorized Distributor

Click to View Pricing, Inventory, Delivery & Lifecycle Information:

[TE Connectivity:](#)

[160129](#)