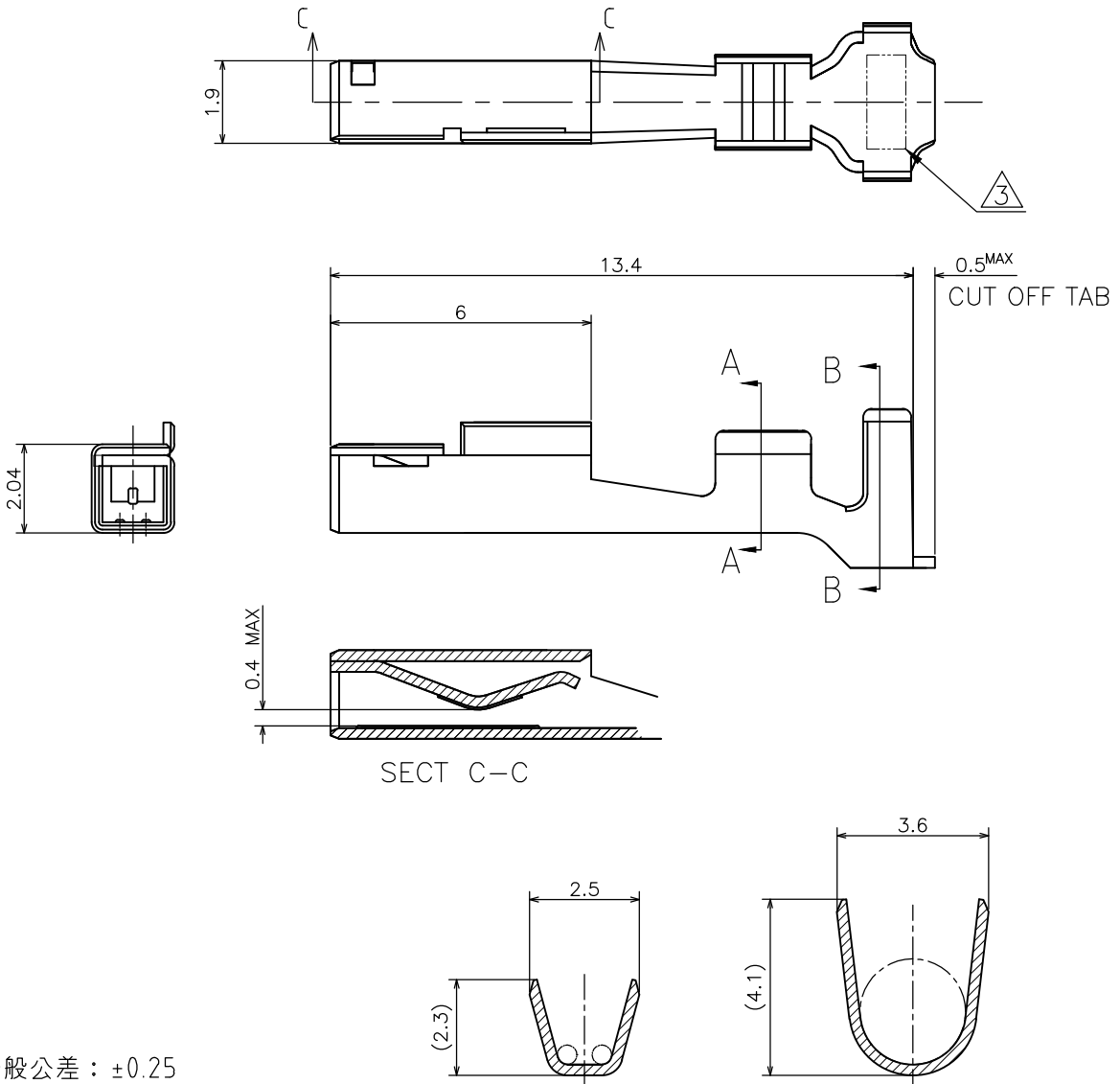


REVISIONS					
P	LTR	DESCRIPTION	DATE	DWN	APVD
	A1	REVISED PER ECR-20-100273	11AUG2020	SC	D.Z



- 注)
 1.一般公差：±0.25
 2.材料：錫めっき済 銅合金

- NOTES)
 1.GENERAL TOLERANCE: ±0.25
 2.MATERIAL: PRE-TIN COPPER ALLOY
 3. TRADE MARK: AMP OR TE

THIS DRAWING IS UNPUBLISHED.

ALL RIGHTS RESERVED.

COPYRIGHT - TE Connectivity Ltd.

DIMENSIONS: ??? ? mm	DWN	30 MAY.'02	WIRE RANGE	0.3-0.9mm ² (AWG#22-18)	INSULATION DIA	ø1.5-2.7mm	
	A.OISHI		MATERIAL	SEE NOTE	FINISH	SEE NOTE	
TOLERANCES UNLESS OTHERWISE SPECIFIED: ??? ?	CHK	30 MAY.'02	TE Connectivity Ltd.				
	M.SHINDO						
0 PLC ± - 1 PLC ± - 2 PLC ± - 3 PLC ± - 4 PLC ± - ANGLES ± -	APVD	30 MAY.'02	GRACE INERTIA CONNECTOR 3.5 REC CONTACT(L)				
	M.SHINDO						
	PRODUCT SPEC	108-5810	NAME				
	APPLICATION SPEC	114-5306	??				
	WEIGHT	-	SIZE	A4	CAGE CODE	00779	
			DRAWING NO	C-1565079		RESTRICTED TO	-
CUSTOMER DRAWING			SCALE	6:1	SHEET	1 OF 1	REV A1

Mouser Electronics

Authorized Distributor

Click to View Pricing, Inventory, Delivery & Lifecycle Information:

[TE Connectivity:](#)

[1565079-1](#)