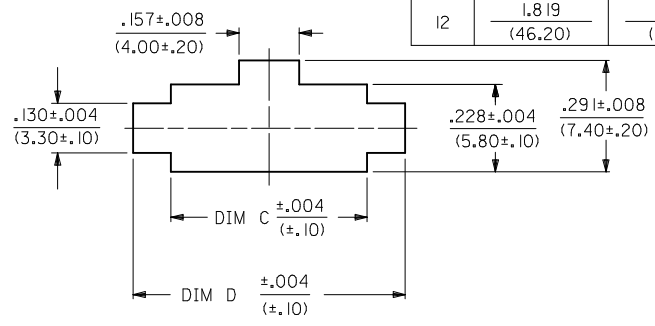
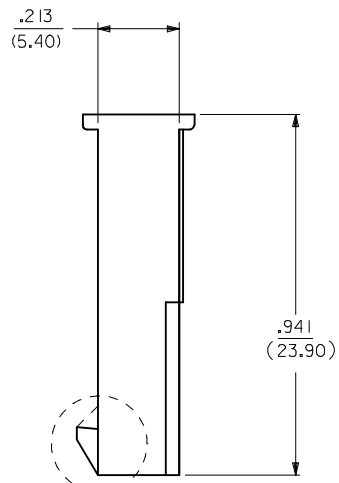


| CKT SIZE | DIM A | DIM B | DIM C | DIM D |
|----------|------------------|------------------|------------------|------------------|
| 4 | .496 (12.60) | .709 (18.00) | .724 (18.40) | .921 (23.40) |
| 5 | .661 (16.80) | .874 (22.20) | .890 (22.60) | 1.087 (27.60) |
| 6 | .827 (21.00) | 1.039 (26.40) | 1.055 (26.80) | 1.252 (31.80) |
| 7 | .992 (25.20) | 1.205 (30.60) | 1.220 (31.00) | 1.417 (36.00) |
| 8 | 1.157 (29.40) | 1.370 (34.80) | 1.386 (35.20) | 1.583 (40.20) |
| 9 | 1.323 (33.60) | 1.535 (39.00) | 1.551 (39.40) | 1.748 (44.40) |
| 10 | 1.488 (37.80) | 1.701 (43.20) | 1.717 (43.60) | 1.913 (48.60) |
| 11 | 1.654 (42.00) | 1.866 (47.40) | 1.882 (47.80) | 2.079 (52.80) |
| 12 | 1.819 (46.20) | 2.031 (51.60) | 2.047 (52.00) | 2.244 (57.00) |

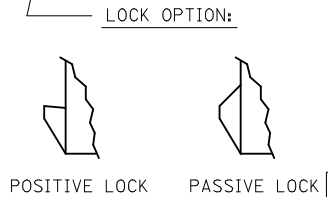
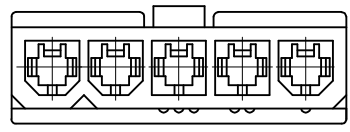
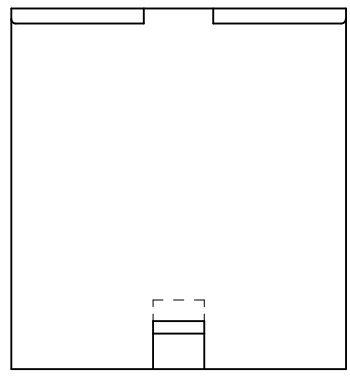
FACTORY ID
SEE NOTE 9



RECOMMENDED PANEL CUT-OUT
(SEE NOTES 5 & 6)

NOTES:

- MATERIAL: BLANK=NYLON 6/6, UL 94V-2, COLOR: NATURAL.
210=NYLON 6/6, UL 94V-0, COLOR: NATURAL.
210-BL=NYLON 6/6, UL 94 V-0, COLOR: BLACK.
- FINISH: NOTE APPLICABLE
- PRODUCT SPECIFICATION: PS-5556-001
- PACKAGING SPECIFICATION: BULK PER PK-5559-003
- THIS PART MATES WITH RECEPTACLE NO. 5557.
- THIS PART IS FOR USE WITH MOLEX MALE TERMINAL NO. 5558-*
- PANEL MOUNT VERSION IS FOR USE WITH .031/.079/(10.80/2.00) THICK PANELS.
- PANEL SHOULD BE PUNCHED IN THE DIRECTION OF CONNECTOR INSERTION.
- FACTORY ID MAY BE LOCATED ON EARS.
- THIS PART CONFORMS TO CLASS B REQUIREMENTS OF COSMETIC SPECIFICATION PS-45499-002.
- PART IS NOT DESIGNED FOR CURRENT SHARING.
- PARTS ARE NOT TO BE MATED OR UNMATED WHILE CIRCUITS ARE LIVE.
- WIRES ARE TO BE DRESSED IN SUCH A MANNER TO ALLOW THE TERMINALS TO FLOAT FREELY IN THE POCKET.



WITHOUT MOUNTING EARS

| | |
|---|----|
| 2 | J1 |
| 1 | J2 |

| | |
|---|-----------------|
| ADD NOTE 11,12,&13 EC NO: UCP2010-0351 DRWN: TRBENES 2009/08/06 CHKD: JBEL 2009/08/07 APPR: FSMITH 2009/08/07 | QUALITY SYMBOLS |
| | ▽=0 ▽=0 |
| REV J2 | DESCRIPTION |

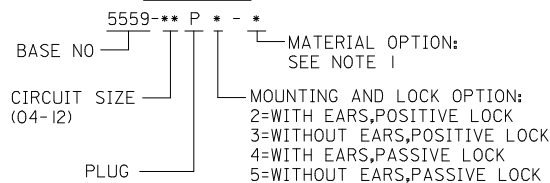
| GENERAL TOLERANCES (UNLESS SPECIFIED) | | | | | | | | | | | | | | | |
|---|--------|---------|------|----------|--------|---------|----------|--------|---------|----------|--------|--------|---------|--------|--------|
| <table border="1"> <tr> <th></th> <th>mm</th> <th>INCH</th> </tr> <tr> <td>4 PLACES</td> <td>± .005</td> <td>± .0005</td> </tr> <tr> <td>3 PLACES</td> <td>± .003</td> <td>± .0003</td> </tr> <tr> <td>2 PLACES</td> <td>± 0.25</td> <td>± .015</td> </tr> <tr> <td>1 PLACE</td> <td>± 0.38</td> <td>± .015</td> </tr> </table> | | mm | INCH | 4 PLACES | ± .005 | ± .0005 | 3 PLACES | ± .003 | ± .0003 | 2 PLACES | ± 0.25 | ± .015 | 1 PLACE | ± 0.38 | ± .015 |
| | mm | INCH | | | | | | | | | | | | | |
| 4 PLACES | ± .005 | ± .0005 | | | | | | | | | | | | | |
| 3 PLACES | ± .003 | ± .0003 | | | | | | | | | | | | | |
| 2 PLACES | ± 0.25 | ± .015 | | | | | | | | | | | | | |
| 1 PLACE | ± 0.38 | ± .015 | | | | | | | | | | | | | |
| ANGULAR ±1/2° | | | | | | | | | | | | | | | |
| DRAFT WHERE APPLICABLE MUST REMAIN WITHIN DIMENSIONS | | | | | | | | | | | | | | | |

| | |
|---------------------------|------------------------------|
| DIMENSION STYLE IN/MM | |
| DRAWN BY KSS | DATE 2/19/89 |
| CHECKED BY RJF | DATE 2/19/89 |
| APPROVED BY RAS | DATE 2/19/89 |
| MATERIAL NO. SEE CHART | DOCUMENT NO. SD-5559-NLP* |

| | | |
|--|------------------------|------------------------|
| SCALE 1:1 | DESIGN UNITS METRIC | THIRD ANGLE PROJECTION |
| MINI-FIT JR. SERIES PLUG (SINGLE ROW) | | |
| MOLEX INCORPORATED | | |
| SHEET NO. 1 OF 2 | | |

| | 13 | 12 | 11 | 10 | 9 | 8 | 7 | 6 | 5 | 4 | 3 | 2 | 1 |
|---|------------|------------------|----------|-----------------|-------------|---------------------|------------|------------------|----------|-----------------|-------------|---------------------|---|
| | PART NO | ENG NO | CKT SIZE | MOUNTING OPTION | LOCK OPTION | MATERIAL SEE NOTE I | PART NO | ENG NO | CKT SIZE | MOUNTING OPTION | LOCK OPTION | MATERIAL SEE NOTE I | |
| J | 39-01-4042 | 5559-04P2 | 4 | W/EARS | POSITIVE | 94V-2 | NO E.D.P. | 5559-04P4 | 4 | W/EARS | PASSIVE | 94V-2 | J |
| | 39-01-4046 | 5559-04P3 | 4 | W/O EAR | POSITIVE | 94V-2 | NO E.D.P. | 5559-04P5 | 4 | W/O EAR | PASSIVE | 94V-2 | |
| | 39-01-4043 | 5559-04P2-210 | 4 | W/EARS | POSITIVE | 94V-0 | NO E.D.P. | 5559-04P4-210 | 4 | W/EARS | PASSIVE | 94V-0 | |
| | 39-01-4047 | 5559-04P3-210 | 4 | W/O EAR | POSITIVE | 94V-0 | NO E.D.P. | 5559-04P5-210 | 4 | W/O EAR | PASSIVE | 94V-0 | |
| | 39-01-4052 | 5559-05P2 | 5 | W/EARS | POSITIVE | 94V-2 | | | | | | | |
| | 39-01-4056 | 5559-05P3 | 5 | W/O EAR | POSITIVE | 94V-2 | | | | | | | |
| I | 39-01-4053 | 5559-05P2-210 | 5 | W/EARS | POSITIVE | 94V-0 | 50-29-1599 | 5559-05P4-210 | 5 | W/EARS | PASSIVE | 94V-0 | I |
| | 39-01-4057 | 5559-05P3-210 | 5 | W/O EAR | POSITIVE | 94V-0 | NO E.D.P. | 5559-05P5-210 | 5 | W/O EAR | PASSIVE | 94V-0 | |
| | 50-30-4446 | 5559-05P3-210-BL | 5 | W/O EAR | POSITIVE | 94V-0 | NO E.D.P. | 5559-05P5-210-BL | 5 | W/O EAR | PASSIVE | 94V-0 | |
| | 39-01-4062 | 5559-06P2 | 6 | W/EARS | POSITIVE | 94V-2 | NO E.D.P. | 5559-06P4 | 6 | W/EARS | PASSIVE | 94V-2 | |
| | 39-01-4066 | 5559-06P3 | 6 | W/O EAR | POSITIVE | 94V-2 | NO E.D.P. | 5559-06P5 | 6 | W/O EAR | PASSIVE | 94V-2 | |
| H | 39-01-4063 | 5559-06P2-210 | 6 | W/EARS | POSITIVE | 94V-0 | NO E.D.P. | 5559-06P4-210 | 6 | W/EARS | PASSIVE | 94V-0 | H |
| | 39-01-4067 | 5559-06P3-210 | 6 | W/O EAR | POSITIVE | 94V-0 | NO E.D.P. | 5559-06P5-210 | 6 | W/O EAR | PASSIVE | 94V-0 | |
| | 39-01-4072 | 5559-07P2 | 7 | W/EARS | POSITIVE | 94V-2 | NO E.D.P. | 5559-07P4 | 7 | W/EARS | PASSIVE | 94V-2 | |
| | 39-01-4076 | 5559-07P3 | 7 | W/O EAR | POSITIVE | 94V-2 | NO E.D.P. | 5559-07P5 | 7 | W/O EAR | PASSIVE | 94V-2 | |
| | 39-01-4073 | 5559-07P2-210 | 7 | W/EARS | POSITIVE | 94V-0 | NO E.D.P. | 5559-07P4-210 | 7 | W/EARS | PASSIVE | 94V-0 | |
| G | 39-01-4077 | 5559-07P3-210 | 7 | W/O EAR | POSITIVE | 94V-0 | NO E.D.P. | 5559-07P5-210 | 7 | W/O EAR | PASSIVE | 94V-0 | G |
| | 39-01-4082 | 5559-08P2 | 8 | W/EARS | POSITIVE | 94V-2 | NO E.D.P. | 5559-08P4 | 8 | W/EARS | PASSIVE | 94V-2 | |
| | 39-01-4086 | 5559-08P3 | 8 | W/O EAR | POSITIVE | 94V-2 | NO E.D.P. | 5559-08P5 | 8 | W/O EAR | PASSIVE | 94V-2 | |
| | 39-01-4083 | 5559-08P2-210 | 8 | W/EARS | POSITIVE | 94V-0 | NO E.D.P. | 5559-08P4-210 | 8 | W/EARS | PASSIVE | 94V-0 | |
| | 39-01-4087 | 5559-08P3-210 | 8 | W/O EAR | POSITIVE | 94V-0 | NO E.D.P. | 5559-08P5-210 | 8 | W/O EAR | PASSIVE | 94V-0 | |
| F | 39-01-4092 | 5559-09P2 | 9 | W/EARS | POSITIVE | 94V-2 | NO E.D.P. | 5559-09P4 | 9 | W/EARS | PASSIVE | 94V-2 | F |
| | 39-01-4096 | 5559-09P3 | 9 | W/O EAR | POSITIVE | 94V-2 | NO E.D.P. | 5559-09P5 | 9 | W/O EAR | PASSIVE | 94V-2 | |
| | 39-01-4093 | 5559-09P2-210 | 9 | W/EARS | POSITIVE | 94V-0 | NO E.D.P. | 5559-09P4-210 | 9 | W/EARS | PASSIVE | 94V-0 | |
| | 39-01-4097 | 5559-09P3-210 | 9 | W/O EAR | POSITIVE | 94V-0 | NO E.D.P. | 5559-09P5-210 | 9 | W/O EAR | PASSIVE | 94V-0 | |
| | 39-01-4102 | 5559-10P2 | 10 | W/EARS | POSITIVE | 94V-2 | NO E.D.P. | 5559-10P4 | 10 | W/EARS | PASSIVE | 94V-2 | |
| | 39-01-4106 | 5559-10P3 | 10 | W/O EAR | POSITIVE | 94V-2 | NO E.D.P. | 5559-10P5 | 10 | W/O EAR | PASSIVE | 94V-2 | |
| E | 39-01-4103 | 5559-10P2-210 | 10 | W/EARS | POSITIVE | 94V-0 | NO E.D.P. | 5559-10P4-210 | 10 | W/EARS | PASSIVE | 94V-0 | E |
| | 39-01-4107 | 5559-10P3-210 | 10 | W/O EAR | POSITIVE | 94V-0 | NO E.D.P. | 5559-10P5-210 | 10 | W/O EAR | PASSIVE | 94V-0 | |
| | 39-01-4112 | 5559-11P2 | 11 | W/EARS | POSITIVE | 94V-2 | NO E.D.P. | 5559-11P4 | 11 | W/EARS | PASSIVE | 94V-2 | |
| | 39-01-4116 | 5559-11P3 | 11 | W/O EAR | POSITIVE | 94V-2 | NO E.D.P. | 5559-11P5 | 11 | W/O EAR | PASSIVE | 94V-2 | |
| | 39-01-4113 | 5559-11P2-210 | 11 | W/EARS | POSITIVE | 94V-0 | NO E.D.P. | 5559-11P4-210 | 11 | W/EARS | PASSIVE | 94V-0 | |
| D | 39-01-4117 | 5559-11P3-210 | 11 | W/O EAR | POSITIVE | 94V-0 | NO E.D.P. | 5559-11P5-210 | 11 | W/O EAR | PASSIVE | 94V-0 | D |
| | 39-01-4122 | 5559-12P2 | 12 | W/EARS | POSITIVE | 94V-2 | NO E.D.P. | 5559-12P4 | 12 | W/EARS | PASSIVE | 94V-2 | |
| | 39-01-4126 | 5559-12P3 | 12 | W/O EAR | POSITIVE | 94V-2 | NO E.D.P. | 5559-12P5 | 12 | W/O EAR | PASSIVE | 94V-2 | |
| | 39-01-4123 | 5559-12P2-210 | 12 | W/EARS | POSITIVE | 94V-0 | NO E.D.P. | 5559-12P4-210 | 12 | W/EARS | PASSIVE | 94V-0 | |
| | 39-01-4127 | 5559-12P3-210 | 12 | W/O EAR | POSITIVE | 94V-0 | NO E.D.P. | 5559-12P5-210 | 12 | W/O EAR | PASSIVE | 94V-0 | |

LEGEND



| SEE SHEET 1 EC NO: UCP2009-0409 DRWN: JLOSTHEMER 2008/09/25 CHKD: J.BELL 2008/09/29 APPR: F.SMITH 2008/09/29 | QUALITY SYMBOLS ▽=0 ▽=0 | GENERAL TOLERANCES (UNLESS SPECIFIED) <table border="1"> <tr> <th></th> <th>mm</th> <th>INCH</th> </tr> <tr> <td>4 PLACES</td> <td>± .---</td> <td>± .---</td> </tr> <tr> <td>3 PLACES</td> <td>± .---</td> <td>± .010</td> </tr> <tr> <td>2 PLACES</td> <td>± 0.25</td> <td>± .015</td> </tr> <tr> <td>1 PLACE</td> <td>± 0.38</td> <td>± .---</td> </tr> </table> | | mm | INCH | 4 PLACES | ± .--- | ± .--- | 3 PLACES | ± .--- | ± .010 | 2 PLACES | ± 0.25 | ± .015 | 1 PLACE | ± 0.38 | ± .--- | DIMENSION STYLE IN/MM DRAWN BY: RJF DATE: 10/13/89 CHECKED BY: BAP DATE: 10/13/89 APPROVED BY: RAS DATE: 10/13/89 | SCALE: 1:1 DESIGN UNITS: METRIC THIRD ANGLE PROJECTION | TITLE: MINI-FIT JR SERIES PLUG (SINGLE ROW) MOLEX INCORPORATED DOCUMENT NO: SD-5559-NLP* SHEET NO: 2 OF 2 |
|---|--|--|--------|----|------|----------|--------|--------|----------|--------|--------|----------|--------|--------|---------|--------|--------|--|--|--|
| | | mm | INCH | | | | | | | | | | | | | | | | | |
| | 4 PLACES | ± .--- | ± .--- | | | | | | | | | | | | | | | | | |
| | 3 PLACES | ± .--- | ± .010 | | | | | | | | | | | | | | | | | |
| 2 PLACES | ± 0.25 | ± .015 | | | | | | | | | | | | | | | | | | |
| 1 PLACE | ± 0.38 | ± .--- | | | | | | | | | | | | | | | | | | |
| DRAFT WHERE APPLICABLE MUST REMAIN WITHIN DIMENSIONS | MATERIAL NO: SEE CHART SIZE: C | THIS DRAWING CONTAINS INFORMATION THAT IS PROPRIETARY TO MOLEX INCORPORATED AND SHOULD NOT BE USED WITHOUT WRITTEN PERMISSION | | | | | | | | | | | | | | | | | | |