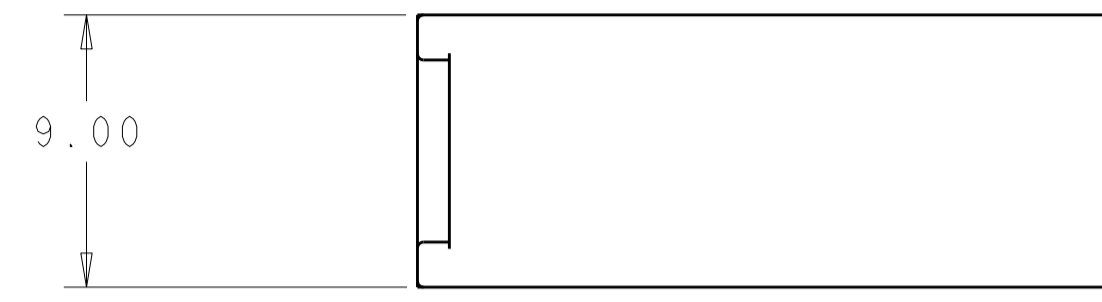


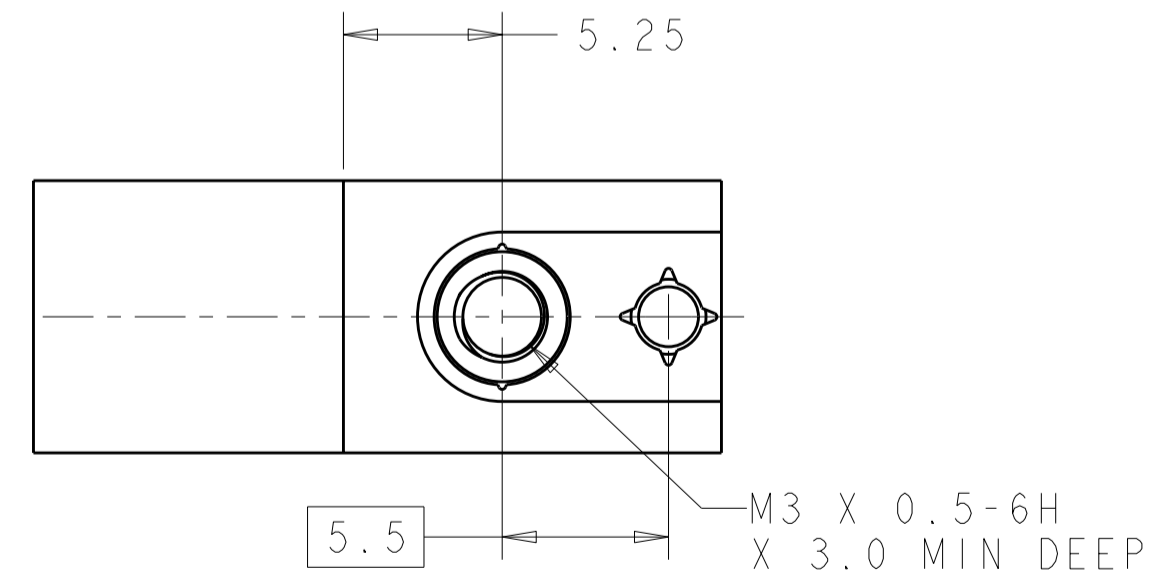
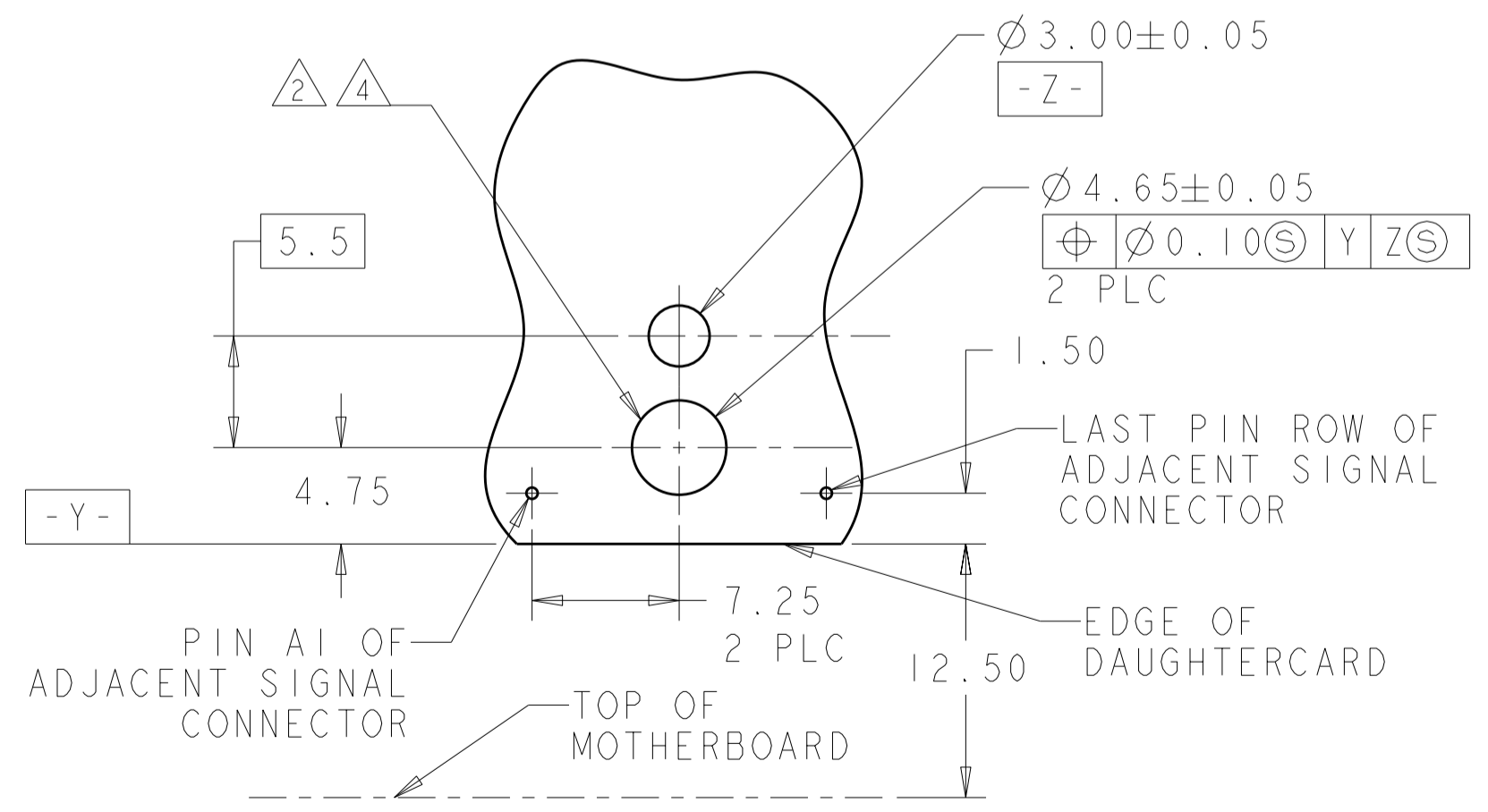
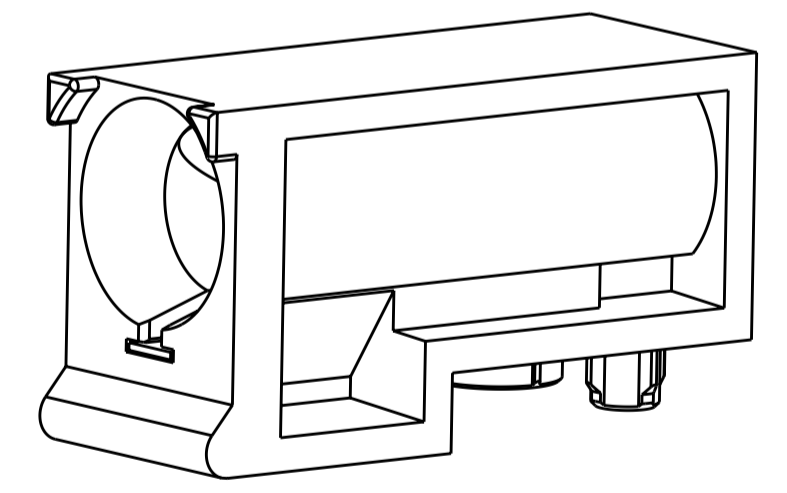
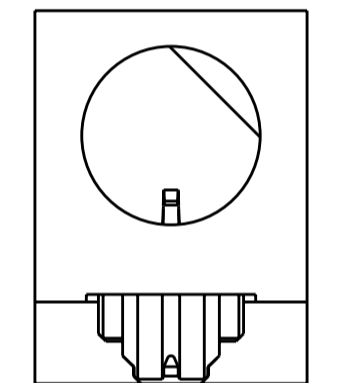
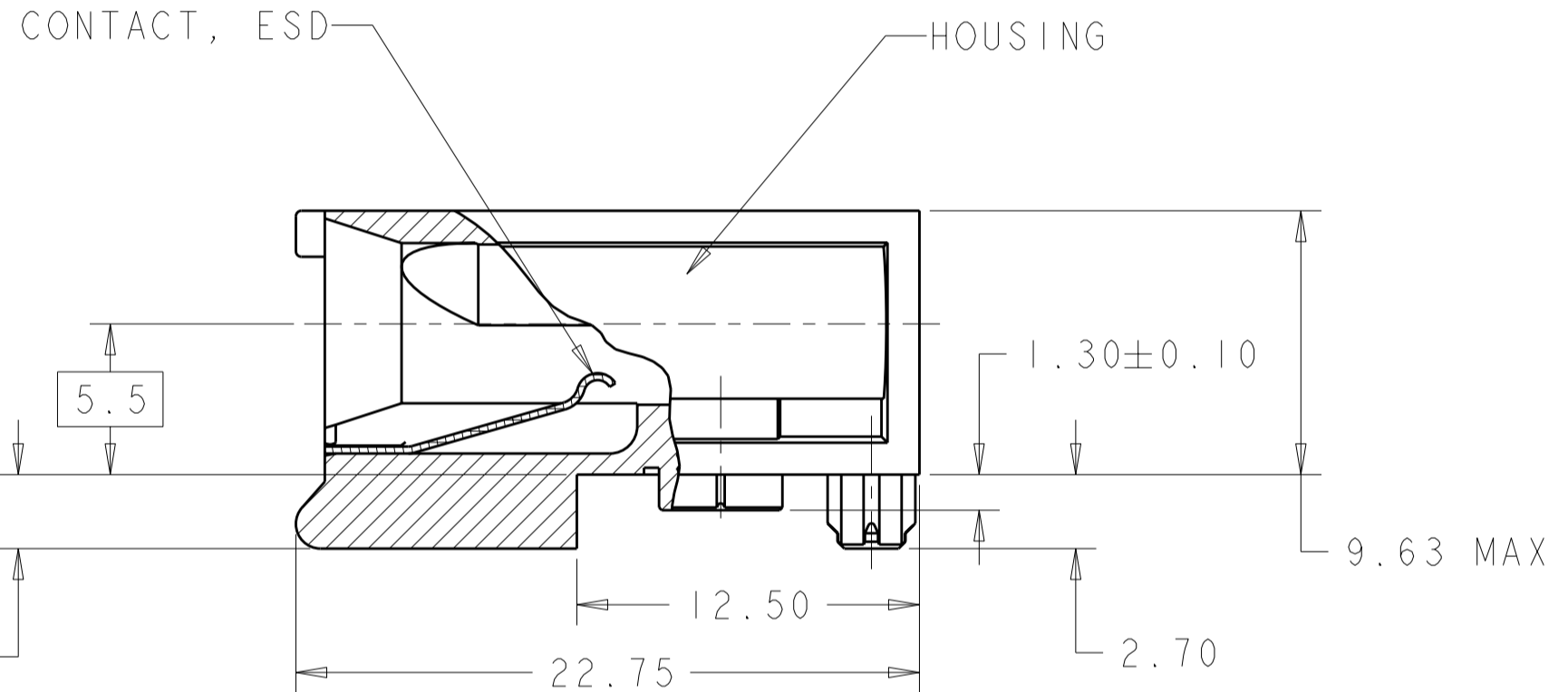
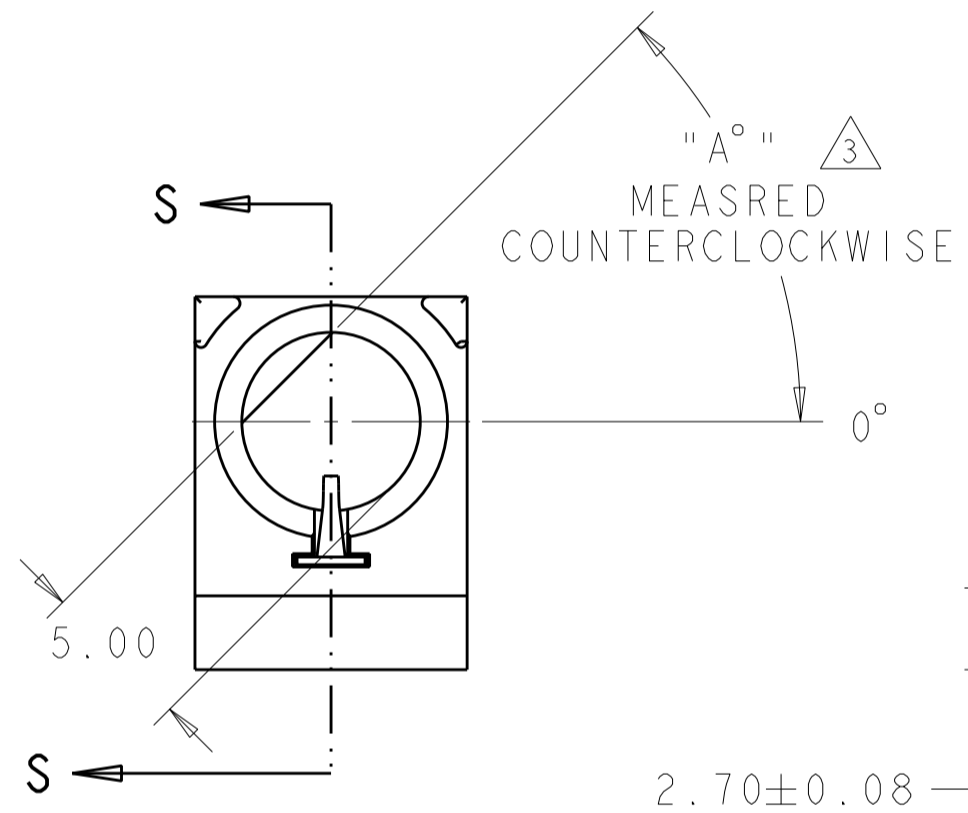
THIS DRAWING IS UNPUBLISHED. RELEASED FOR PUBLICATION 20
 © COPYRIGHT 20 BY - ALL RIGHTS RESERVED.

| LOC | DIST | REVISIONS | | | |
|-----|------|-------------|---------------------------|-----------|--------|
| P | LTR | DESCRIPTION | DATE | DWN | APVD |
| AD | 00 | E | REVISED PER ECO-11-016268 | 30AUG2011 | HMR AS |

| PART NO. | "A°" | HOUSING | CONTACT |
|-------------|------|---------|---------|
| 1-1469492-1 | 0° | △5 | △6 |
| 1-1469492-2 | 45° | △5 | △6 |
| 1-1469492-3 | 90° | △5 | △6 |
| 1-1469492-7 | 270° | △5 | △6 |
| 1-1469492-8 | 315° | △5 | △6 |
| 1-1469492-9 | △7 | △5 | △6 |



- △1 MATERIAL: HOUSING: ZINC ALLOY DIE CASTING, ZAMAK 3; CONTACT: PHOSPHOR BRONZE
- △2 HOLE FOR POSITIVE RETENTION SCREW.
- △3 DASH NUMBERS INDICATE KEY ORIENTATION (P/N 1469492-2 SHOWN ON DRAWING)
- △4 GROUND PAD Ø5mm ON BOTH SIDE OF PCB.
- △5 FINISH: SILVER OVER NICKEL OVER COPPER
- △6 CONTACT FINISH: 3.81µm MINIMUM SILVER IN CONTACT AREA OVER 1.27µm MINIMUM NICKEL ALL OVER
- △7 GUIDE MODULE W/O KEYING; GUIDE PIN 1469491 SERIES MUST BE ORIENTED TO PROVIDE PROPER ESD PERFORMANCE



1469492
PART NO

| | | | | |
|--|--|----------------------------|---|--|
| THIS DRAWING IS A CONTROLLED DOCUMENT. | | DWN R.TREA 24FEB2004 | STE TE Connectivity | |
| DIMENSIONS: mm | | CHK B.PATERSON 24FEB2004 | | |
| TOLERANCES UNLESS OTHERWISE SPECIFIED: | | APVD G.GRIFFITH 24FEB2004 | NAME MULTIGIG GUIDE MODULE/STANDOFF, RIGHT ANGLE, 20.3mm, DAUGHTERCARD 7ROW | |
| 0 PLC ±0.5 | | PRODUCT SPEC 108-2072 | SIZE CAGE CODE DRAWING NO | |
| 1 PLC ±0.13 | | APPLICATION SPEC 114-13056 | A200779C-1469492 | |
| 2 PLC ±0.1 | | WEIGHT - | RESTRICTED TO - | |
| 3 PLC ±0.0001 | | CUSTOMER DRAWING | SCALE 4:1 SHEET OF REV E | |
| 4 PLC ANGLES ± | | | | |
| FINISH △5 △6 | | | | |

Mouser Electronics

Authorized Distributor

Click to View Pricing, Inventory, Delivery & Lifecycle Information:

[TE Connectivity:](#)

[1-1469492-7](#)