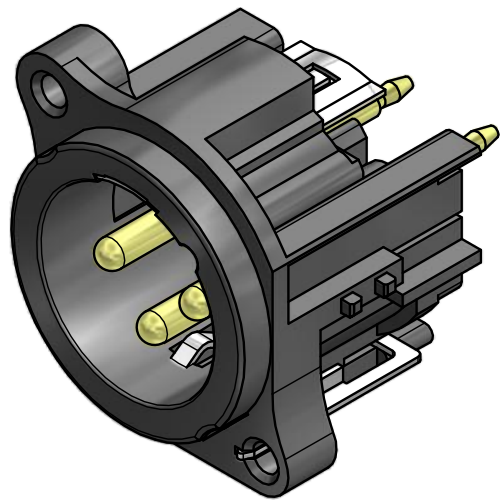
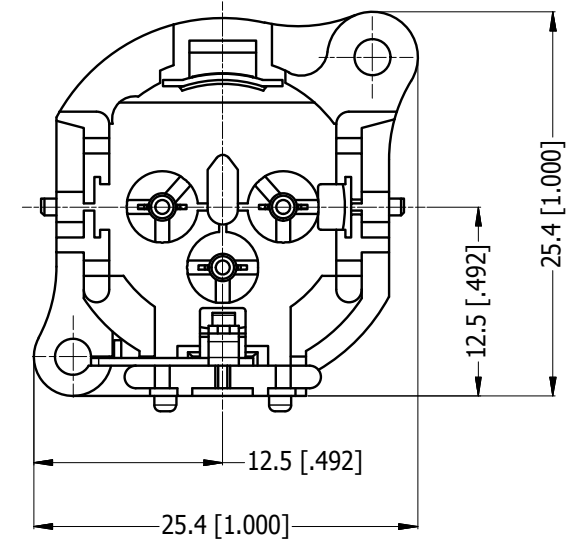
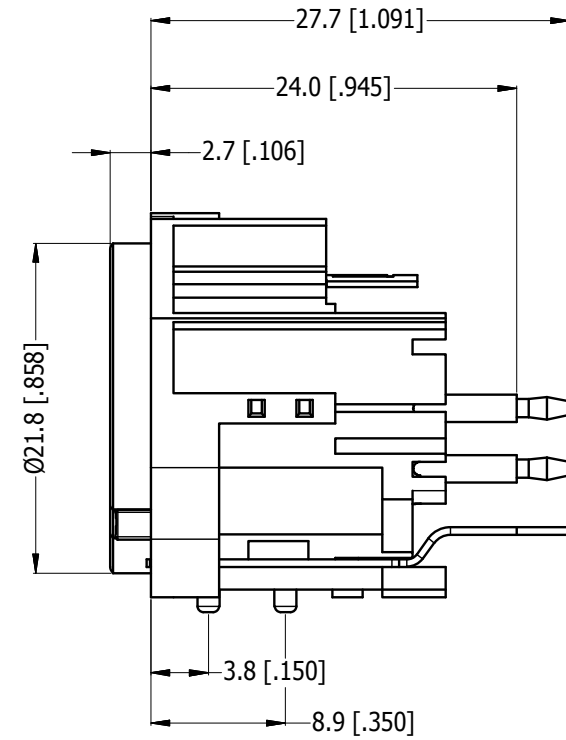
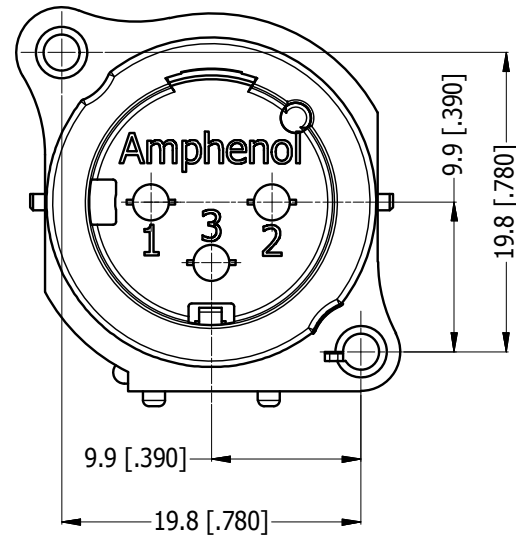
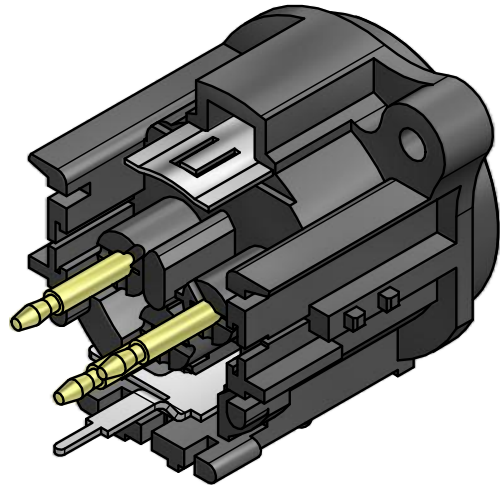
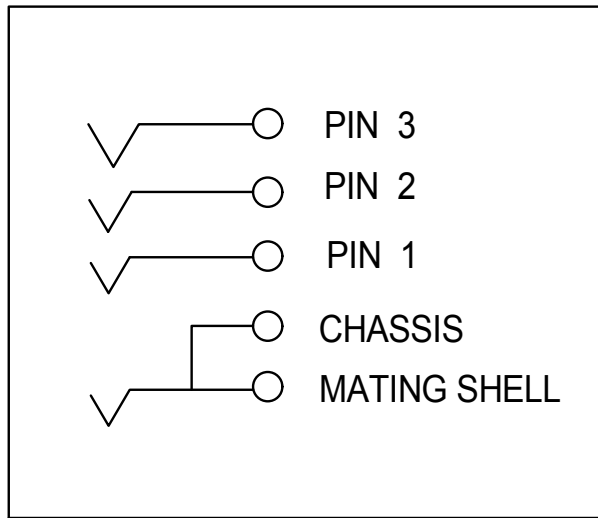


LEGEND = KEY PRODUCT CHARACTERISTICS

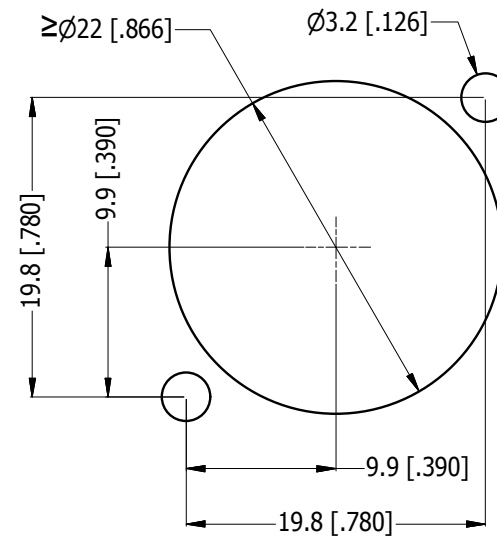
REVISION HISTORY				
REV	DESCRIPTION	DATE	BY	CHG/No
0	FIRST ISSUE	08/10/14	MH	---
1	UPDATED DIMENSION TO ACTUAL PART	14/08/15	MH	----



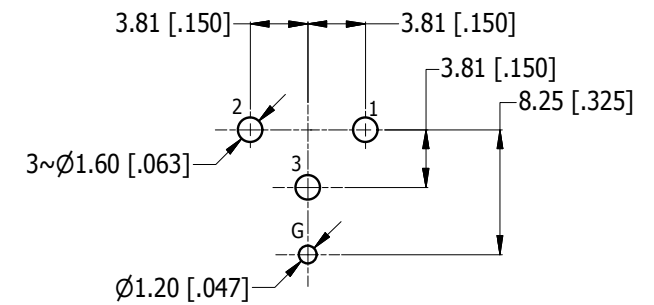
**ISO VIEWS**



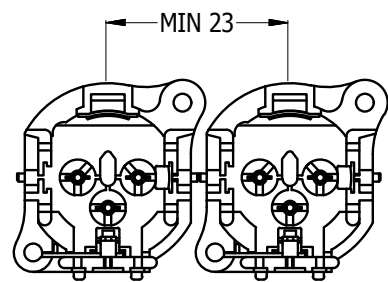
**SCHEMATIC CHART**



**PANEL CUT OUT  
REAR VIEW**



**PCB-LAYOUT  
COMPONENT SIDE  
TOLERANCE:  $\pm 0.05\text{mm} [0.002\text{"]}$**



**MIN MOUNTING PITCH  
SCALE 1:1**

UNLESS OTHERWISE SPECIFIED TOLERANCE TO BE		THIS DOCUMENT IS THE PROPERTY OF AMPHENOL AUSTRALIA PTY. LTD. NO PART THEREOF MAY BE REPRODUCED AND USED WITHOUT THE PRIOR WRITTEN CONSENT OF THE OWNER				<b>Amphenol</b> Amphenol Australia Pty.Ltd, 22 Industry Blvd, Carrum Downs, VIC 3201	
LINEAR	ANGULAR	MATERIAL: REFER TO COMPONENT	DRN: MH	DATE: 08/10/14	TITLE: AC3MAV2-AU-PRE VERTICAL MALE CUSTOMER DRAWING	PART No: AC3MAV2-AU-PRE	
X ± 0.5	X' ± 1	BREAK ALL SHARP EDGES AND REMOVE ALL BURRS	CKD: M.H	DATE: 14/08/15	DO NOT SCALE	DRAWING NO. 55011051-000-2	SHEET 2/2
X.X ± 0.1	X.X' ± 30'	FINISH: REFER TO COMPONENT	APP'D: P.M	DATE: 14/08/15	DIMENSIONS IN MILLIMETRES	CAD FILE 55011051000221	
X.XX ± 0.05	X.XX' ± 15'				THIRD ANGLE PROJECTION	SCALE: 2:1	SIZE: A3