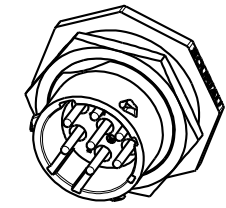


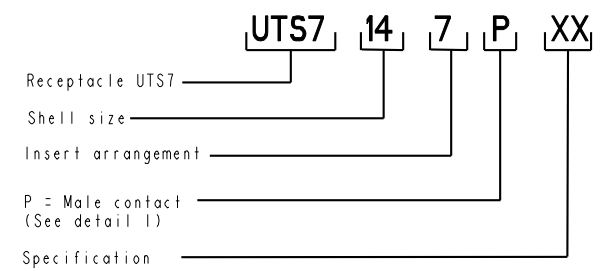
MATERIAL :
 Shell: Polyamid UL94 V-0
 Insert: Polyamid UL94 V-0
 Seal gasket : Sealing IP68/69K : Silicone
 O'ring: nitril
 Nut: Aluminium alloy black anodized

PERFORMANCE CHARACTERISTICS :
 Operating temperature: -40°C up to 105°C
 Insulation resistance: 5000 MΩmin
 Test potential: 2000 Vrms for #16 layout
 Corrosion salt spray: 500 hours
 Durability: 250 matings and unmatings
 Sealing in mated conditions:
 -IP68 1 bar during 1 week : immersion under 10 m of water. (IEC 60529)
 -IP69K : exposure to high pressure water of cleaning equipment (DIN 40050)

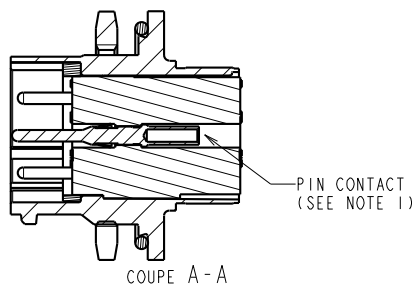
NOTES :
 -1-Contact to be ordered separately : refer to TRIM TRIO catalog
 -2-Colored ring to be ordered separately refer to customer drawing C005-UTSI-A



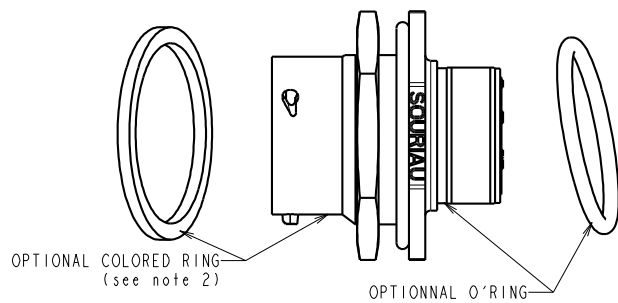
SHELL SIZE	THREAD 1	THREAD 2	ØA±0.15	B±0.2	C MAX.	D MAX.	E±0.25	F±0.3	G±0.20	ØH±0.2
14	1"20 UNEF CLASS 2A	13/16"20 UNEF CLASS 2A	22.20	19.30	33.90	3.20	34.90	30.20	24.30	25.70



MALE CONNECTOR
(Detail 1)



OPTIONAL PARTS



CUSTOMER DRAWING

ISS	26/01/10	DATE	--	First issue	MOD N°	--
Designed by:	RAGAINÉ M.		Date:	CUSTOMER DRAWING		
TITLE	UTS CONNECTOR RECEPTACLE SIZE 14 LAYOUT 12 CTS					
Scale	2/1	General linear Tolerances:	±0.2			
FORMAT	A2	SOURIAU DRG N°	CO39-UTSI-A			
SOURIAU Connectivity Technology		WWW.SOURIAU.COM		This document is the property of SOURIAU. It must not be reproduced or distributed without the prior written consent of SOURIAU.		
SHEET		1 / 1		CONTROLLED		