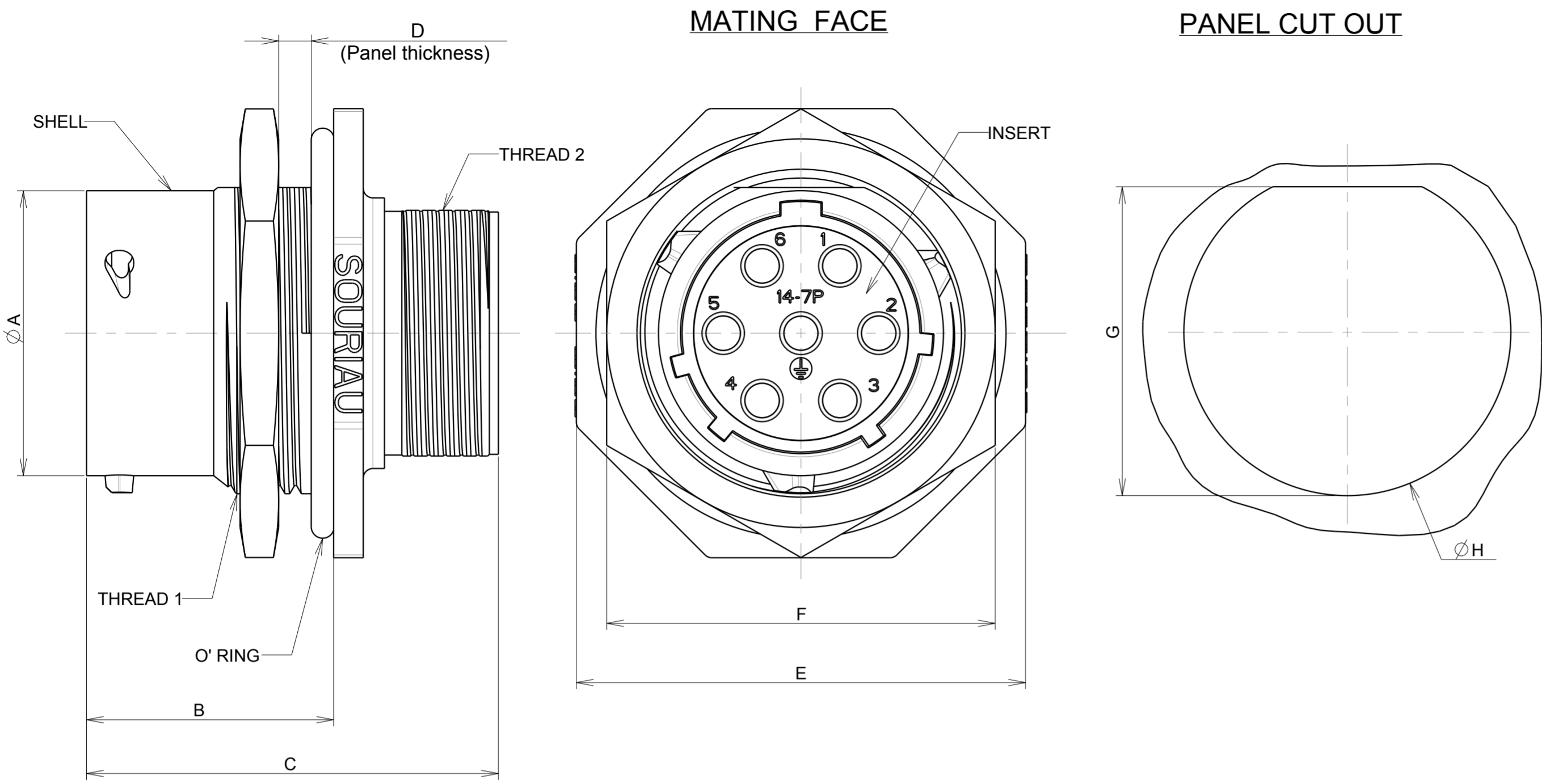


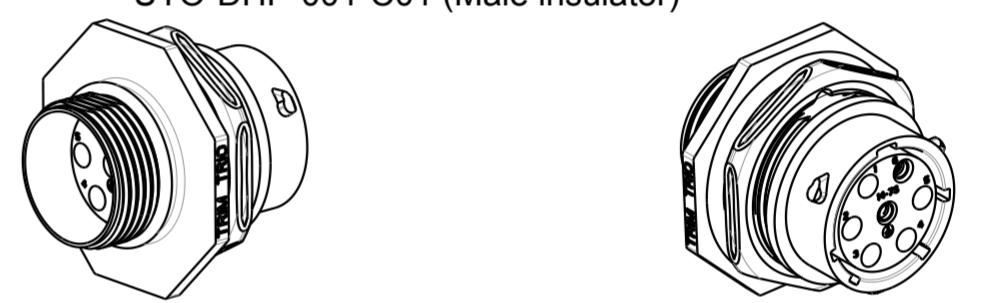
C.2: Validé



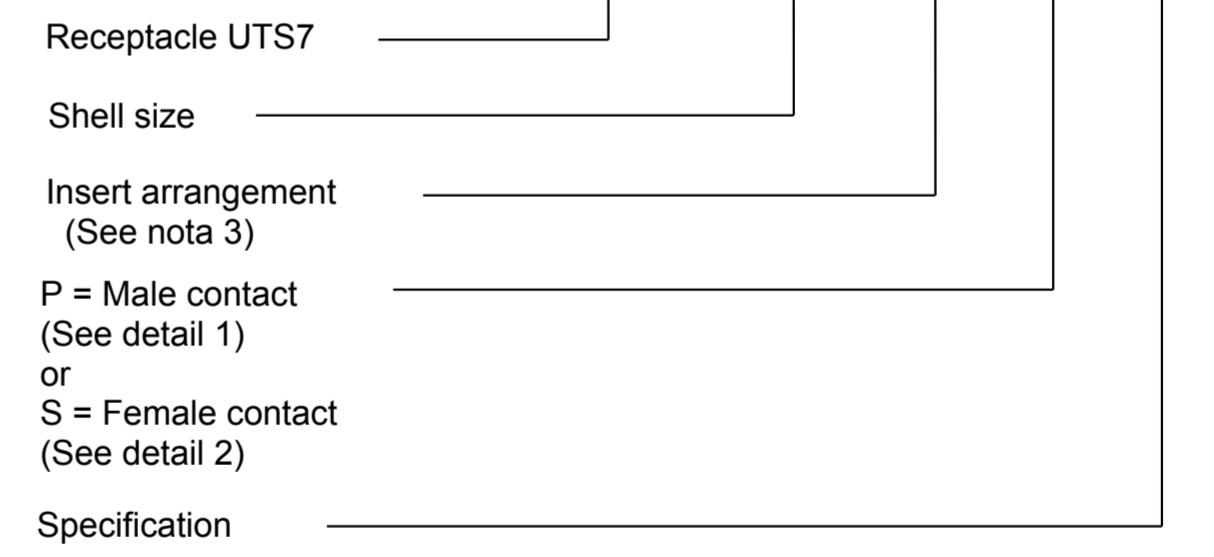
**MATERIAL :**  
 Shell : Polyamid UL94 V-0  
 Insert : Polyamid UL94 V-0  
 Seal gasket : Sealing IP68/69K : Silicone  
 O'ring : nitril  
 Nut : Aluminium alloy black anodized

**PERFORMANCE CHARACTERISTICS :**  
 Operating temperature : -40° C up to 105° C  
 Insulation resistance : 5000 MΩ min  
 Test potential : 2000 Vrms for #16 layout and 1500Vrms for #20 layout  
 Corrosion salt spray : 500 hours  
 Durability : 250 matings and unmatings  
 Sealing in mated conditions:  
 -IP68 1 bar during 1 week : immersion under 10 m of water.  
 (IEC 60529)  
 -IP69K : exposure to high pressure water of cleaning  
 equipement (DIN 40050)

**NOTES :**  
 -1-Contact to be ordered separately :refer to TRIM TRIO catalog  
 -2-Colored ring to be ordered separately refer to customer drawing  
 C005-UTS1-A  
 -3-Insert arrangements:refer to :  
 UTO-CONTACT-L-C02 (Female insulator)  
 UTO-DHP-002-C01 (Female insulator)  
 UTO-CONTACT-L-C01 (Male insulator)  
 UTO-DHP-001-C01 (Male insulator)



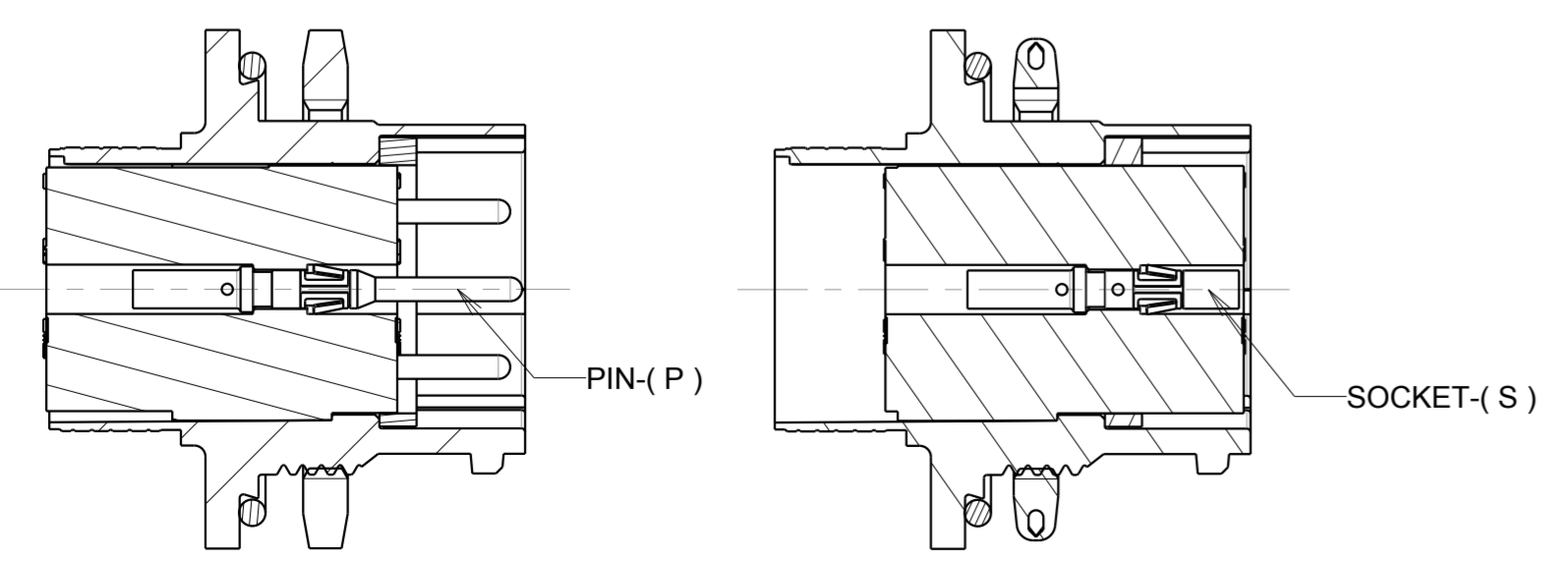
**UTS7 14 7 P XX**



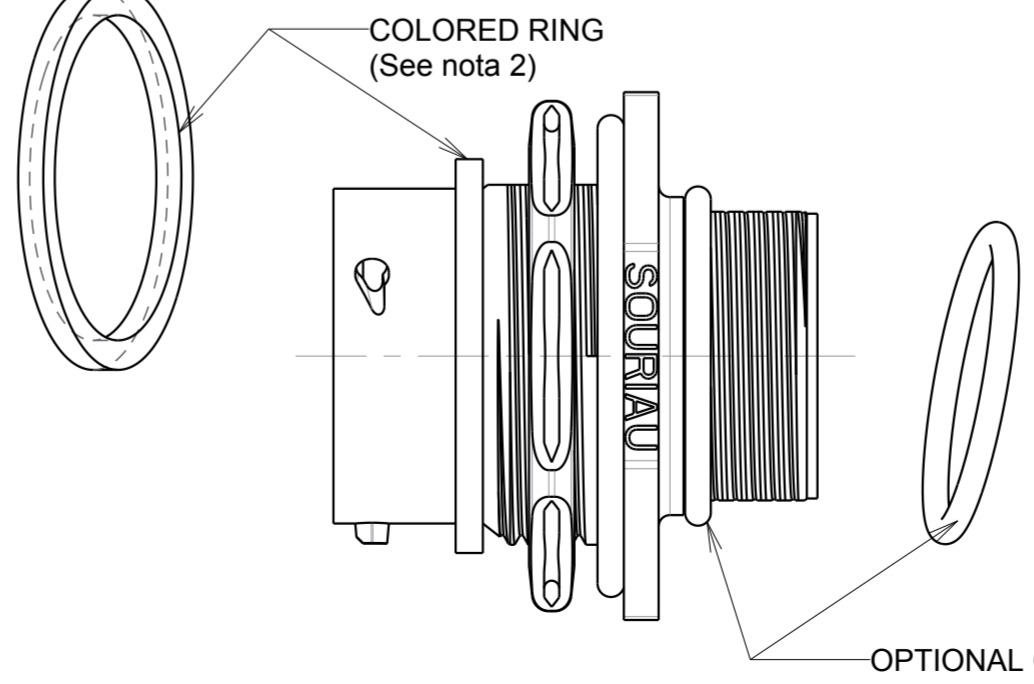
SHELL SIZE	THREAD 1	THREAD 2	Ø A±0.15	B±0.2	C MAX.	D MAX.	E±0.25	F±0.3	G	Ø H
10	11/16 24 UNEF CLASS 2A	9/16 24 UNEF CLASS 2A	14.90	19.30	33.90	3.20	27.00	22.20	16.45 <sup>+0.2</sup> <sub>0</sub>	17.30 <sup>+0.25</sup> <sub>0</sub>
12	7/8 20 UNEF CLASS 2A	11/16 24 UNEF CLASS 2A	19.00	19.30	33.90	3.20	31.80	27.00	20.85 <sup>+0.3</sup> <sub>0</sub>	22.10 <sup>+0.3</sup> <sub>0</sub>
14	1"20 UNEF CLASS 2A	13/16 20 UNEF CLASS 2A	22.20	19.30	33.90	3.20	34.90	30.20	24.00 <sup>+0.3</sup> <sub>0</sub>	25.40 <sup>+0.3</sup> <sub>0</sub>
18	1"1/4 18 UNEF CLASS 2A	1"1/16 18 UNEF CLASS 2A	28.5	19.30	33.90	3.20	41.30	36.60	30.20 <sup>+0.3</sup> <sub>0</sub>	31.70 <sup>+0.3</sup> <sub>0</sub>

**MALE CONNECTOR**  
(Detail 1)

**FEMALE CONNECTOR**  
(Detail 2)



**OPTIONAL PARTS**



Country	Jurisdiction & Control List
FR	NOT LISTED

**P/N : UTS7xxxxP/Sxx**

<b>C</b>	08/03/2016	Delete drawing C008-UTS1-A/C007-UTS1-A/UT0W-CONTACT-L-C01 and ...C02- Change dimensions of panel cut out	—
ISS	DATE	Latest modification - by:	MOD N°
Designed by:	SORIN.V	Date:   05/04/06	<b>CUSTOMER DRAWING</b>
<b>TITLE</b>	JAM NUT RECEPTACLE UTS CONNECTOR		
Scale	1/1	General linear Tolerances: ± --	<b>NPRDS / PROJECT</b> UTS1
<b>SOURIAU</b>	<b>WWW.SOURIAU.COM</b>	This document is the property of SOURIAU It must not be reproduced or communicated without permission	
FORMAT	<b>A2</b>	<b>SOURIAU DRG N°</b> C001-UTS1-A	SHEET 1/1

# Mouser Electronics

Authorized Distributor

Click to View Pricing, Inventory, Delivery & Lifecycle Information:

## Souriau:

[UTS7142G1P](#) [UTS7103P](#) [UTS71412P](#) [UTS71412S](#) [UTS7147P](#) [UTS71210S](#) [UTS7147S](#) [UTS71210P](#)  
[UTS71419P](#) [UTS7128P](#) [UTS7128S](#) [UTS7124S](#) [UTS7124P](#) [UTS71419S](#) [UTS7106S](#) [UTS7106P](#) [UTS7103S](#)  
[UTS7104S](#) [UTS7104P](#) [UTS7142G1S](#) [UTS71823P](#) [UTS71823S](#) [UTS71832P](#) [UTS71832S](#) [UTS7103W3P](#)  
[UTS7103W3S](#) [UTS7148P](#) [UTS7148S](#) [UTS71419PW](#) [UTS7104PW](#) [UTS7128SW](#) [UTS71492S](#) [UTS71412PW](#)  
[UTS71412SW](#) [UTS71419SX](#) [UTS71832PX](#) [UTS71832PW](#) [UTS71492SX](#) [UTS71492P](#) [UTS71823PX](#) [UTS71492SY](#)  
[UTS7128PW](#) [UTS71823PZ](#) [UTS71823SX](#) [UTS71492SW](#) [UTS71823SZ](#)