

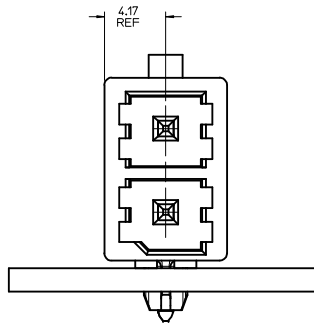
CKT SIZE	PART NO.	PLATING	DIM A	DIM B	DIM C
2	x 76825-0002	TIN	8.35	N/A	9.35
4	x 76825-0004	TIN	12.05	N/A	13.05
6	x 76825-0006	TIN	17.75	11.40	18.75
8	x 76825-0008	TIN	23.45	17.10	24.45
10	x 76825-0010	TIN	29.15	22.80	30.15
12	x 76825-0012	TIN	34.85	28.50	35.45
2	172064-0002	15 GOLD	8.35	N/A	9.35
4	172064-0004	15 GOLD	12.05	N/A	13.05
6	172064-0006	15 GOLD	17.75	11.40	18.75
8	172064-0008	15 GOLD	23.45	17.10	24.45
10	172064-0010	15 GOLD	29.15	22.80	30.15
12	172064-0012	15 GOLD	34.85	28.50	35.45
2	172064-1002	30 GOLD	8.35	N/A	9.35
4	172064-1004	30 GOLD	12.05	N/A	13.05
6	172064-1006	30 GOLD	17.75	11.40	18.75
8	172064-1008	30 GOLD	23.45	17.10	24.45
10	172064-1010	30 GOLD	29.15	22.80	30.15
12	172064-1012	30 GOLD	34.85	28.50	35.45

X = NOT RELEASED

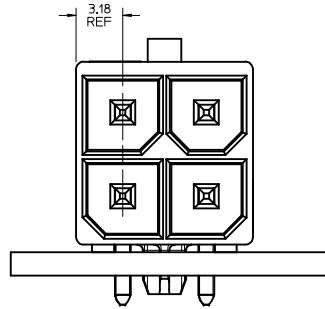
NOTES:

- MATERIAL:
HOUSING LCP, UL94V-0, BLACK.
TERMINAL: HIGH CONDUCTIVITY COPPER.
- TERMINAL PLATING:
(TIN) 1.52 MICROMETER MIN (60 MICROINCH MIN) REFLOWED MATTE TIN OVER 1.27 MICROMETER MIN (50 MICROINCH MIN) MIN NICKEL OVERALL.
(15 GOLD) 0.38 MICROMETER MIN (15 MICROINCH MIN) SELECTIVE GOLD ON CONTACT AREA WITH 2.54 MICROMETER MIN (100 MICROINCHES MIN) SELECTIVE TIN ON SOLDER AREA BOTH OVER 1.27 MICROMETER MIN (50 MICROINCHES MIN) NICKEL OVERALL.
(30 GOLD) 0.76 MICROMETER MIN (30 MICROINCH MIN) SELECTIVE GOLD ON CONTACT AREA WITH 2.54 MICROMETER MIN (100 MICROINCHES MIN) SELECTIVE TIN ON SOLDER AREA BOTH OVER 1.27 MICROMETER MIN (50 MICROINCHES MIN) NICKEL OVERALL.
- PRODUCT SPECIFICATION PS-76823-100.
- PART MATES WITH MOLEX PART NUMBER 170001 AND 171692 SERIES.
- PACKAGING: TRAY PACKED PER MOLEX SPECIFICATION PK-76825-0000.
- PARTS CONFORM TO CLASS 'B' REQUIREMENTS OF COSMETIC SPECIFICATION PS-45499-002.
- DISCOLORATION IN THE BANDOLIER CARRIER AREA OF THE PIN IS INHERENT TO THE PLATING PROCESS AND IS DUE TO THE MASKING EFFECT OF THE CARRIER. THIS DISCOLORATION IS IN A NON-FUNCTIONAL AREA OF THE PIN AND WILL NOT AFFECT THE PERFORMANCE OF THE HEADER ASSEMBLY.
- FORMING MARKS ARE ACCEPTABLE.

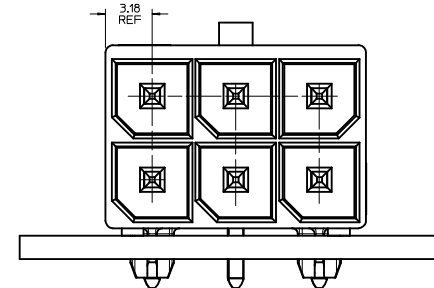
UPDATE PCB DIMS EEC NO: UCP2014-1915 2013/10/31 DRAWN BY: NGUYEN 2013/10/31 CHKD: BELL 2013/11/18 APPROVED BY: SMITH	QUALITY SYMBOLS	GENERAL TOLERANCES (UNLESS SPECIFIED)	DIMENSION STYLE	SCALE	DESIGN UNITS	THIRD ANGLE PROJECTION
	▽=0	mm INCH	MM ONLY	4:1	METRIC	
	▽=0	4 PLACES ±.015	DRAWN BY: MKARADI MAS	DATE: 2010/11/15	TITLE: MEGA-FIT R/A HEADER ASSY 2-12 CKT	
	▽=0	3 PLACES ±.025	CHECKED BY: APATEL	DATE: 2012/06/13	molex	
▽=0	1 PLACE ±.050	ANGULAR ±1/2°	MATERIAL NO. SD-76825-0100	DOCUMENT NO. SD-76825-0100	SHEET NO. 1 OF 2	
D4	0 PLACE ±.100	DRAFT WHERE APPLICABLE MUST REMAIN WITHIN DIMENSIONS	THIS DRAWING CONTAINS INFORMATION THAT IS PROPRIETARY TO MOLEX INCORPORATED AND SHOULD NOT BE USED WITHOUT WRITTEN PERMISSION			



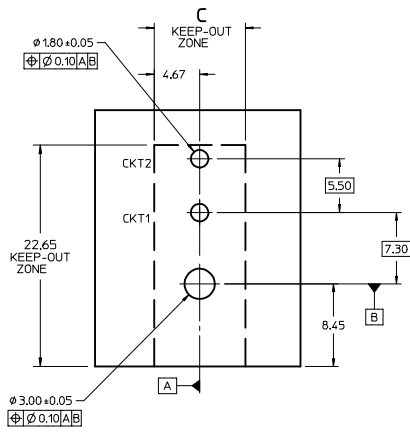
2 CIRCUIT



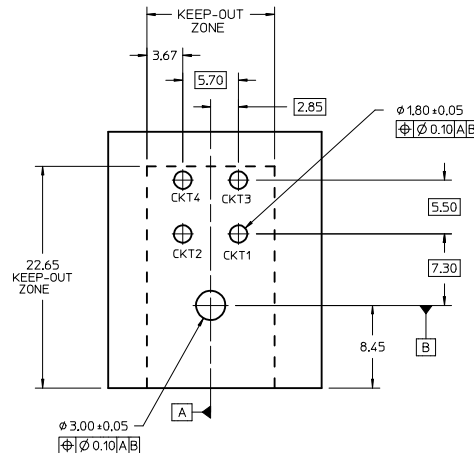
4 CIRCUIT



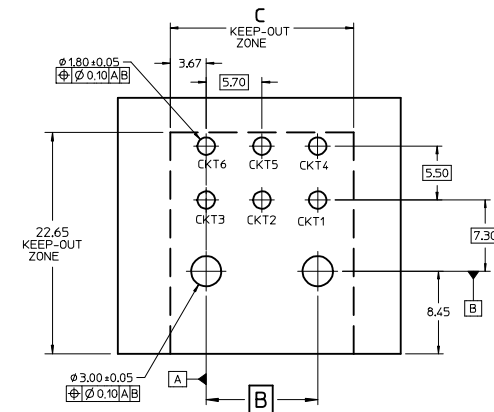
6-12 CIRCUIT



PCB LAYOUT: COMPONENT SIDE
RECOMMENDED PCB THICKNESS: 1.58 MM/.062 IN
TO 2.36 MM/.093 IN



PCB LAYOUT: COMPONENT SIDE
RECOMMENDED PCB THICKNESS: 1.58 MM/.062 IN
TO 2.36 MM/.093 IN



PCB LAYOUT: COMPONENT SIDE
RECOMMENDED PCB THICKNESS: 1.58 MM/.062 IN
TO 2.36 MM/.093 IN

SEE SHT 1 ELEC NO: UCP2014-1915 DRAWN BY: DRYNANGUEN CHECKED BY: CHYDJBELL APPROVED BY: APPR:FSMITH DATE: 2013/10/31 DATE: 2013/10/31 DATE: 2013/11/18 REV: D4	QUALITY SYMBOLS	GENERAL TOLERANCES (UNLESS SPECIFIED)	DIMENSION STYLE	SCALE	DESIGN UNITS	THIRD ANGLE PROJECTION
	▽=0	4 PLACES ± mm ± INCH	MM ONLY	4:1	METRIC	☉
	▽=0	3 PLACES ± 0.25				
	▽=0	1 PLACE ±	ANGULAR ±1/2°			
		DRAFT WHERE APPLICABLE MUST REMAIN WITHIN DIMENSIONS	MATERIAL NO.	DATE	DATE	TITLE
			SEE CHART	2010/11/15	2012/06/13	MEGA-FIT R/A HEADER ASSY 2-12 CKT
			DOCUMENT NO.			molex
			SD-76825-0100			SHEET NO. 2 OF 2