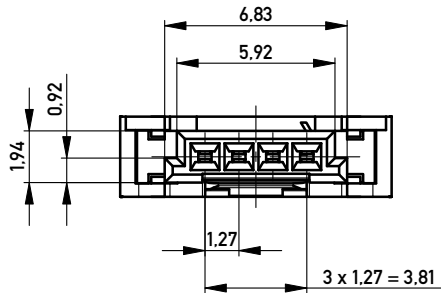
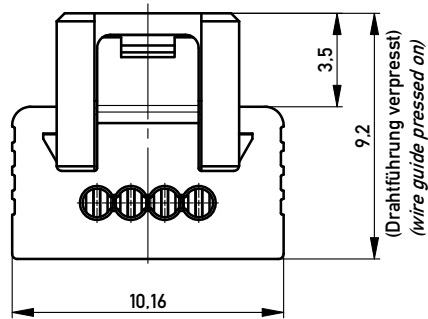
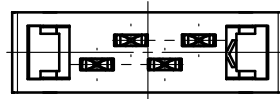
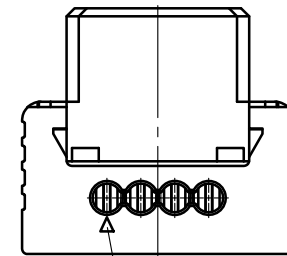
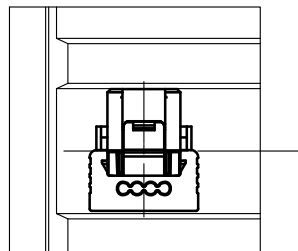


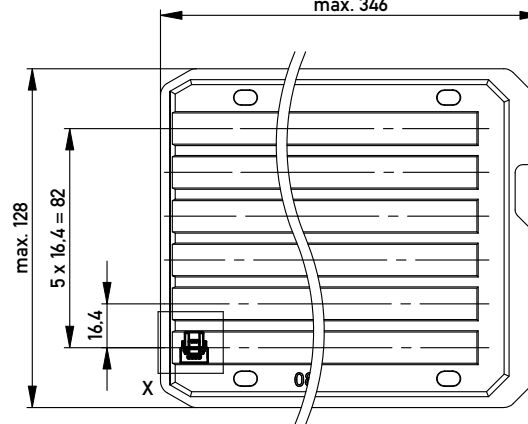
Flachbandkabelführung: schwarz
wire guide: black

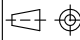


Einzelheit X - detail X
M 2:1



Verpackt in Tray - tray packaging
Verpackungseinheit 180 Stück - packaging unit 180 pcs
max. 346



Information: ohne Hilfsmittel lösbar without tool unlockable	Tolerances  All Dimensions in mm	Scale	5:1
		Designation 1.27 SRC P SKV, 4-polig 1,27 SRC P IDC, 4-pin	
All rights reserved. Only for Information. To ensure that this is the latest version of this drawing, please contact one of the ERNI companies before using.	Subject to modification without prior notice. Drawing will not be updated.	224394	
		B Index	11.11.2008 Date
		Class	SRCP

Copyright by ERNI GmbH.
 Proprietary notice pursuant to ISO 16016 to be observed.