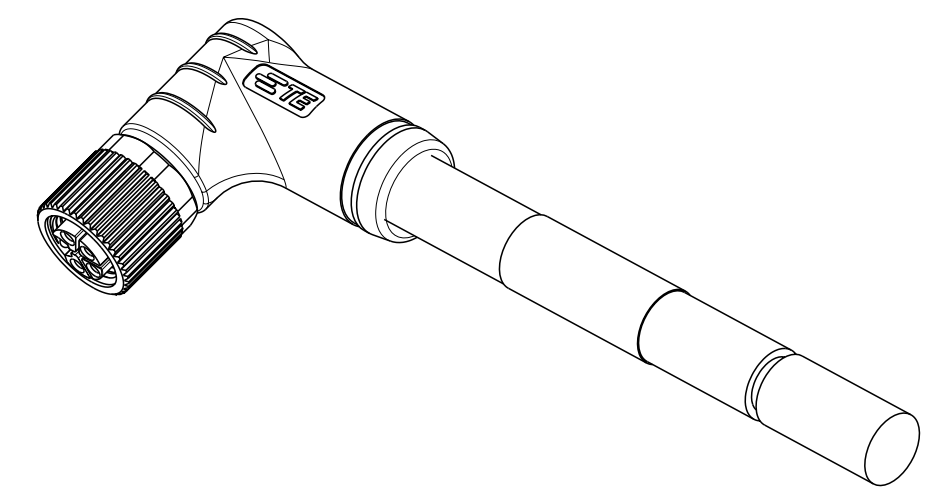
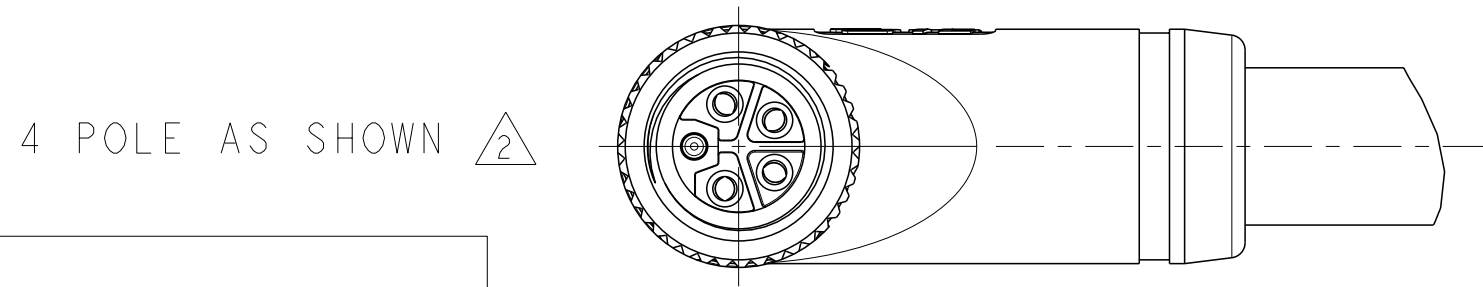
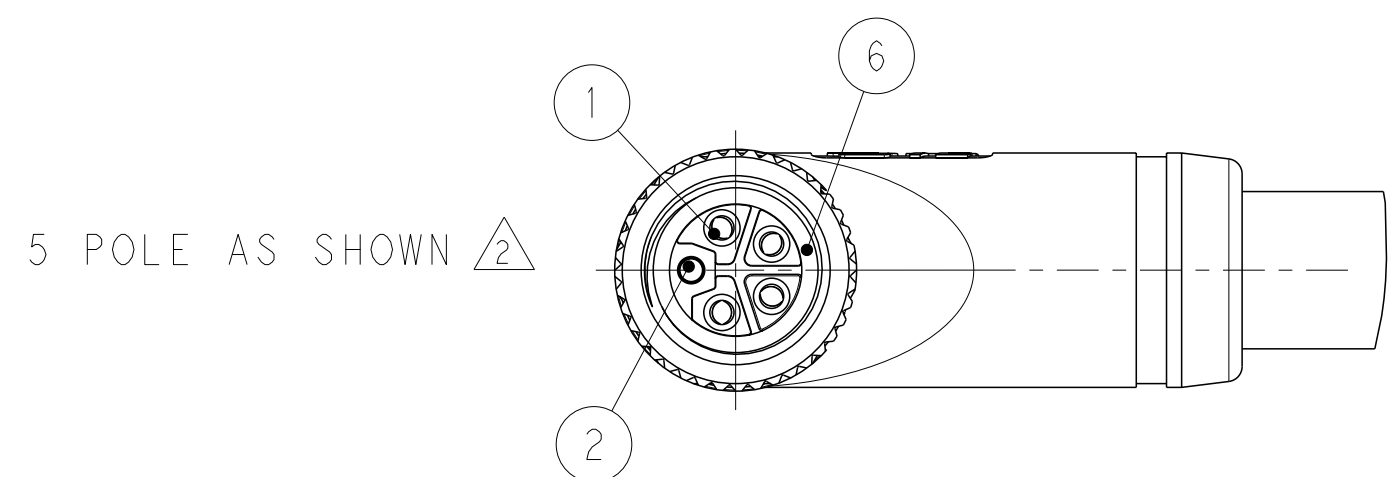
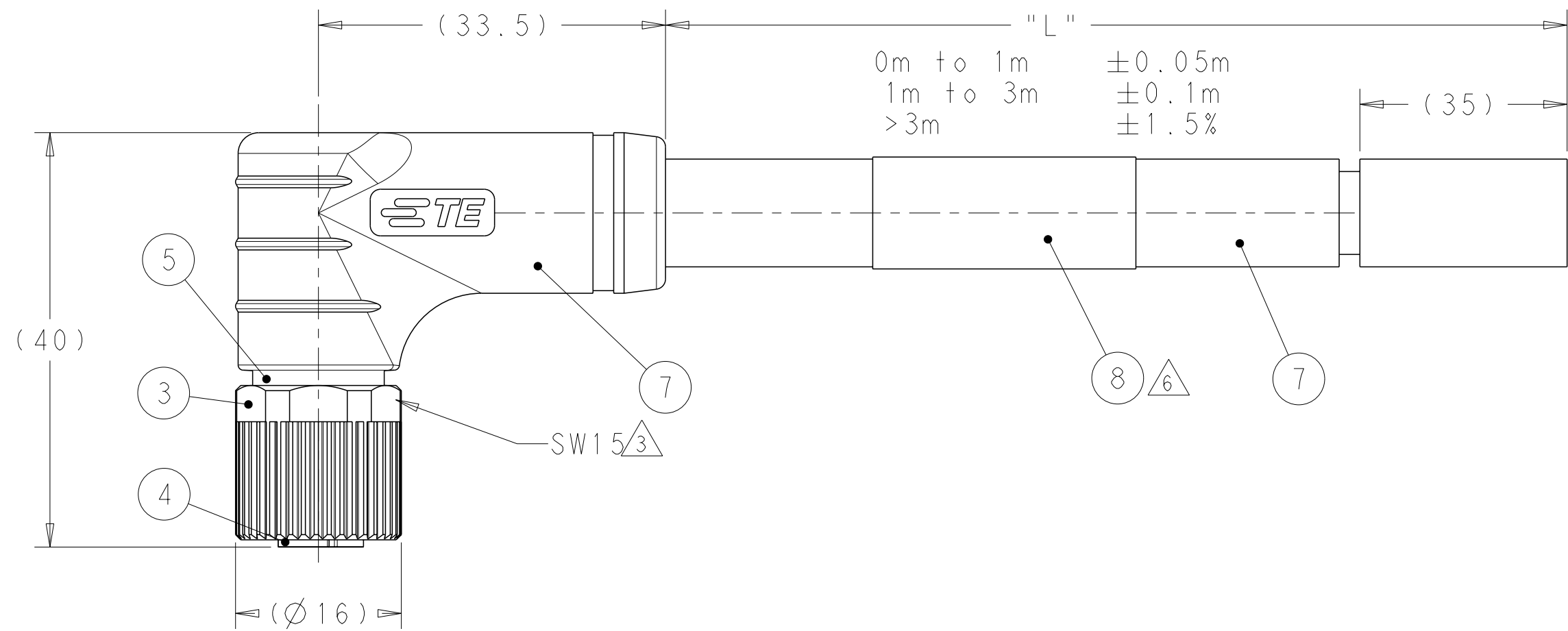


THIS DRAWING IS UNPUBLISHED. RELEASED FOR PUBLICATION
 © COPYRIGHT copyright.d8te- ALL RIGHTS RESERVED.

ITEM	DESCRIPTION	MATERIAL	OTHERS
1	FEMALE CONTACT	COPPER ALLOY	GOLD PLATED
2	FE MALE CONTACT	COPPER ALLOY	GOLD PLATED
3	FEMALE NUT	COPPER ALLOY	NICKEL PLATED
4	FEMALE HOUSING	NYLON	BLACK 4P GRAY 5P
5	METAL SHELL	COPPER ALLOY	NICKEL PLATED
6	O-RING	SILICONE RUBBER	GRAY
7	CONNECTOR GRIP	TPU	BLACK
8	CABLE	PVC/PUR JACKET	BLACK OR GRAY
9	LABEL	-	-

REVISIONS				
P	LTR	DESCRIPTION	DATE	APVD
	A	NEW RELEASE	01FEB2021	AZ CW

NOTE:
 1. TECHNICAL DATA SEE TABLE1
 2. CODE POSITION INDICATOR
 3. RECOMMENDED TORQUE 0.6 Nm
 4. -**:CABLE LENGTH, FOR EXAMPLE: -0.5M
 5. CABLE ASSEMBLY TO BE PACKAGED IN POLYBAGS
 6. LABEL CONTAINS: PN, DATE CODE...



SCALE 1:1

TABLE 1

TECHNICAL DATA	
RATED VOLTAGE	63V
RATED IMPULSE VOLTAGE	1500V
RATED CURRENT	16A/14AWG 12A/16AWG
POLLUTION DEGREE	3
OVERVOLTAGE CATEGORY	III
DEGREE OF PROTECTION	IP67

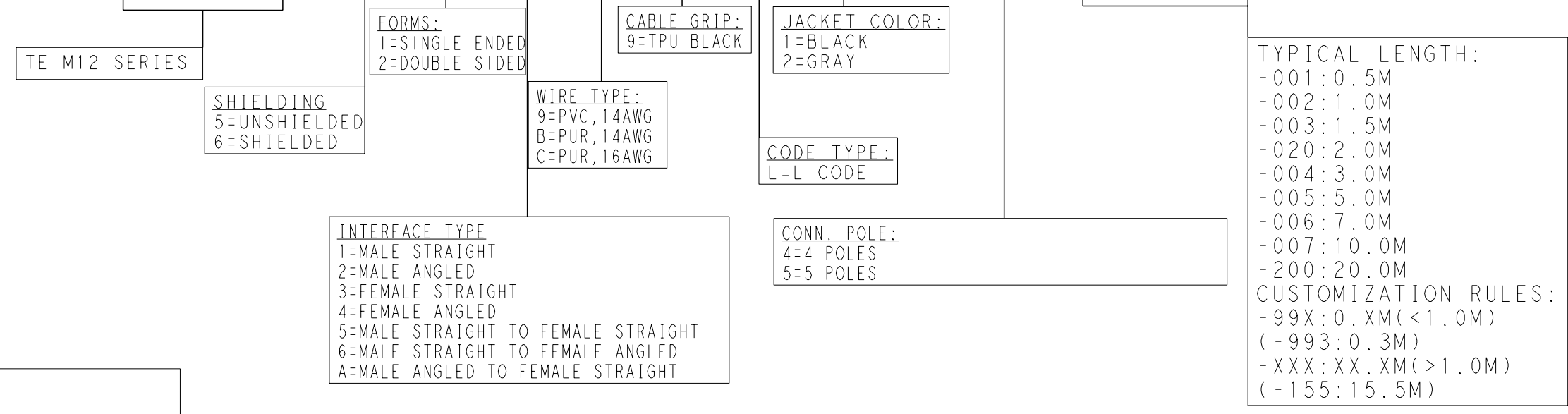
THIS DRAWING IS A CONTROLLED DOCUMENT.		DWN 04NOV2020 ALEX ZHANG	TE Connectivity	
DIMENSIONS: mm		CHK 04NOV2020 HART HE		
TOLERANCES UNLESS OTHERWISE SPECIFIED:		APVD 04NOV2020 CHRIS WANG	NAME M12 L CODE CORDSETS FEMALE ANGLED	
0 PLC ±1		PRODUCT SPEC 108-137350	SIZE A2	
1 PLC ±0.5		APPLICATION SPEC 114-137144	CAGE CODE -	
2 PLC ±0.30		WEIGHT -	DRAWING NO C-T41X14XXLXXXX	
3 PLC ±		CUSTOMER DRAWING	RESTRICTED TO -	
4 PLC ±		SCALE 2:1	SHEET 1 OF 2	
ANGLES ±			REV A	
FINISH -				

THIS DRAWING IS UNPUBLISHED. RELEASED FOR PUBLICATION
 © COPYRIGHT copyright.d8Te- ALL RIGHTS RESERVED.

REVISIONS				
P	LTR	DESCRIPTION	DATE	APVD
		SEE SHEET 1		

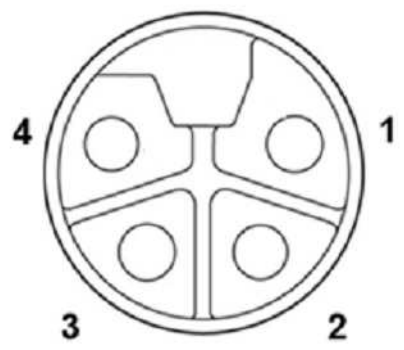
TE PN CODING:

T 4 I X X X X L X X - X X X



CIRCUIT DIAGRAM L CODE

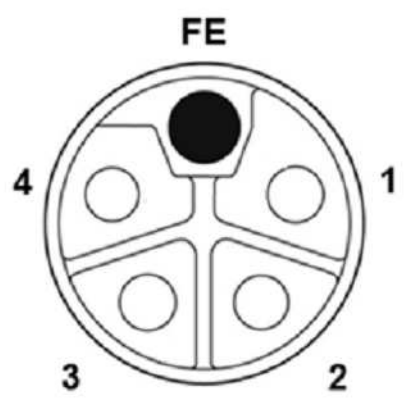
CIRCUIT DIAGRAM UNSHIELDED 4P FEMALE



- 1 BN棕
- 2 WH白
- 3 BU蓝
- 4 BK黑



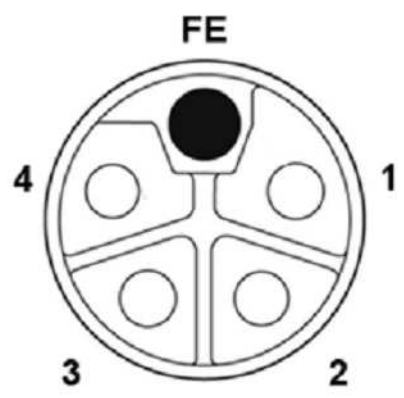
CIRCUIT DIAGRAM UNSHIELDED 5P FEMALE



- 1 BN棕
- 2 WH白
- 3 BU蓝
- 4 BK黑
- FE GY灰



CIRCUIT DIAGRAM SHIELDED 5P FEMALE



- 1 BN棕
 - 2 WH白
 - 3 BU蓝
 - 4 BK黑
 - FE GY灰
- SHIELD



<p>WIRES: 5X14AWG JACKET: PUR GRAY WIRE COLOR: BROWN/WHITE/BLUE/BLACK/GRAY OD: APPROX. 10.40mm TEMPERATURE RATING: 80°C UL TEMP RATING: -50°C TO +80°C FIXED -30°C TO +80°C MOVED SUITABLE FOR DRAG CHAIN APPLICATIONS</p>	<p>TYPICAL LENGTH: -001: 0.5M -002: 1.0M -003: 1.5M -020: 2.0M -004: 3.0M -005: 5.0M -006: 7.0M -007: 10.0M -200: 20.0M CUSTOMIZATION RULES: -99X: 0.XM(<1.0M) (-993: 0.3M) -XXX: XX.XM(>1.0M) (-155: 15.5M)</p>
<p>WIRES: 5X16AWG JACKET: PUR GRAY WIRE COLOR: BROWN/WHITE/BLUE/BLACK/GRAY OD: APPROX. 9.10mm TEMPERATURE RATING: 80°C UL TEMP RATING: -50°C TO +80°C FIXED -30°C TO +80°C MOVED SUITABLE FOR DRAG CHAIN APPLICATIONS</p>	
<p>WIRES: 5X14AWG JACKET: PUR GRAY WIRE COLOR: BROWN/WHITE/BLUE/BLACK/GRAY OD: APPROX. 9.65mm TEMPERATURE RATING: 80°C UL TEMP RATING: -50°C TO +80°C FIXED -30°C TO +80°C MOVED SUITABLE FOR DRAG CHAIN APPLICATIONS</p>	
<p>WIRES: 5X14AWG JACKET: PVC GRAY WIRE COLOR: BROWN/WHITE/BLUE/BLACK/GRAY OD: APPROX. 10.1mm TEMPERATURE RATING: 80°C UL TEMP RATING: -40°C TO +80°C FIXED -20°C TO +80°C MOVED</p>	
<p>WIRES: 4X16AWG JACKET: PUR BLACK WIRE COLOR: BROWN/WHITE/BLUE/BLACK OD: APPROX. 8.4mm TEMPERATURE RATING: 80°C UL TEMP RATING: -50°C TO +80°C FIXED -30°C TO +80°C MOVED SUITABLE FOR DRAG CHAIN APPLICATIONS</p>	
<p>WIRES: 4X14AWG JACKET: PVC BLACK WIRE COLOR: BROWN/WHITE/BLUE/BLACK OD: APPROX. 9.5mm TEMPERATURE RATING: 80°C UL TEMP RATING: -40°C TO +80°C FIXED -20°C TO +80°C MOVED</p>	

CABLE CHARACTERISTIC	LENGTH "L"	TYPE	POS.	HSG COLOR	SHIELDING	TABLE 2 TE PN
RPC-M12L-5FR-**-SH PUR 14AWG GY	4	5	GRAY	Y	T41614B9L25-XXX	17
RPC-M12L-5FR-**-PUR 16AWG GY	4	5	GRAY	N	T41514C9L25-XXX	16
RPC-M12L-5FR-**-PUR 14AWG GY	4	5	GRAY	N	T41514B9L25-XXX	16
RPC-M12L-5FR-**-PVC 14AWG GY	4	5	GRAY	N	T4151499L25-XXX	16
RPC-M12L-4FR-**-PUR 16AWG BK	4	4	BLACK	N	T41514C9L14-XXX	15
RPC-M12L-4FR-**-PVC 14AWG BK	4	4	BLACK	N	T4151499L14-XXX	15

THIS DRAWING IS A CONTROLLED DOCUMENT.

DWN: ALEX ZHANG 04NOV2020
 CHK: HART HE 04NOV2020
 APVD: CHRIS WANG 04NOV2020

STE TE Connectivity

NAME: M12 L CODE CORDSETS FEMALE ANGLED

PRODUCT SPEC: 108-137350
 APPLICATION SPEC: 114-137144

SIZE: A2 CAGE CODE: - DRAWING NO: G-T41X14XXLXXXXX RESTRICTED TO: -
 WEIGHT: - SCALE: 1:1 SHEET: 2 OF 2 REV: A

CUSTOMER DRAWING