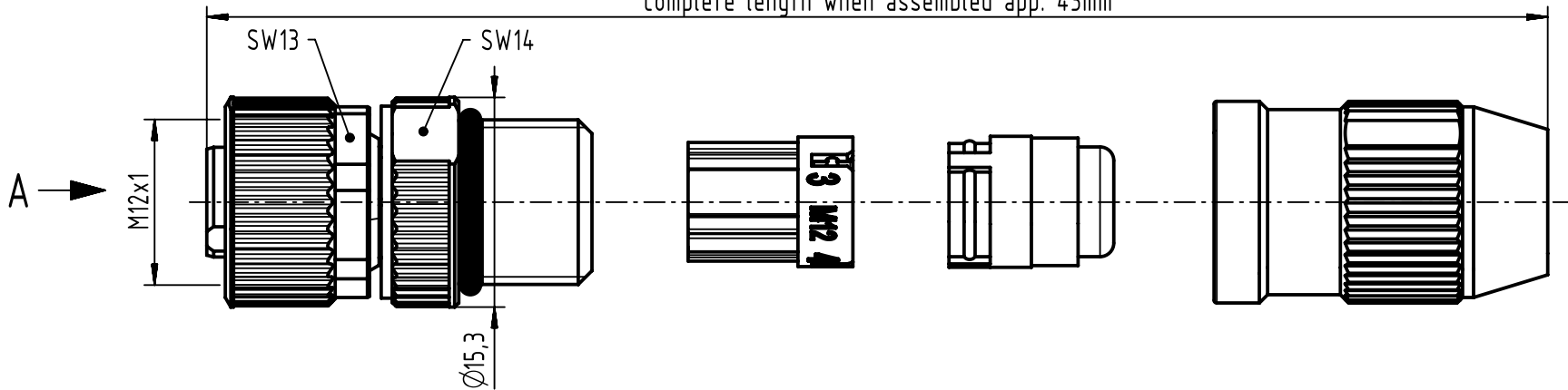
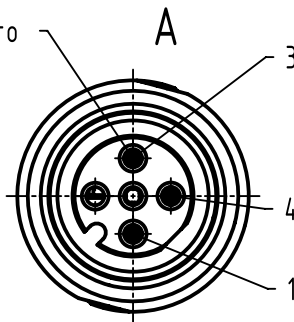


1 2 3 4 5 6

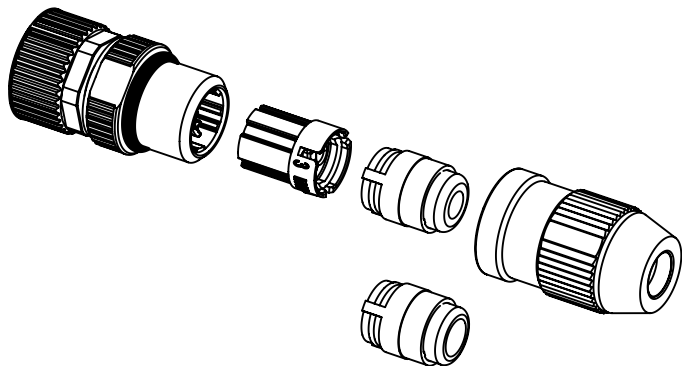
complete length when assembled app. 43mm




contact face acc. to IEC 61076-2-101



conductor cross section	0.14 - 0.34mm ² AWG26-AWG22
cable outside diameter	2.9 - 5.1mm



	All Dimensions in mm Original Size DIN A4		Scale 2:1	Free size tol.		Ref. Sub. 21031112305 500000103382 2016-05-30	
	All rights reserved Department EC PD - DE		Created by EISFELD	Inspected by WELLMANN	Standardisation KOHLER	Date 2016-08-19	State Final Release
HARTING Electronics GmbH D-32339 Espelkamp			Title HARAX M12-S female 3-pole			Doc-Key / ECM-Nr. 100190978/UGD/002/E 500000107503	
			Type TB	Number 21031112305		Rev. E	Page 1/1