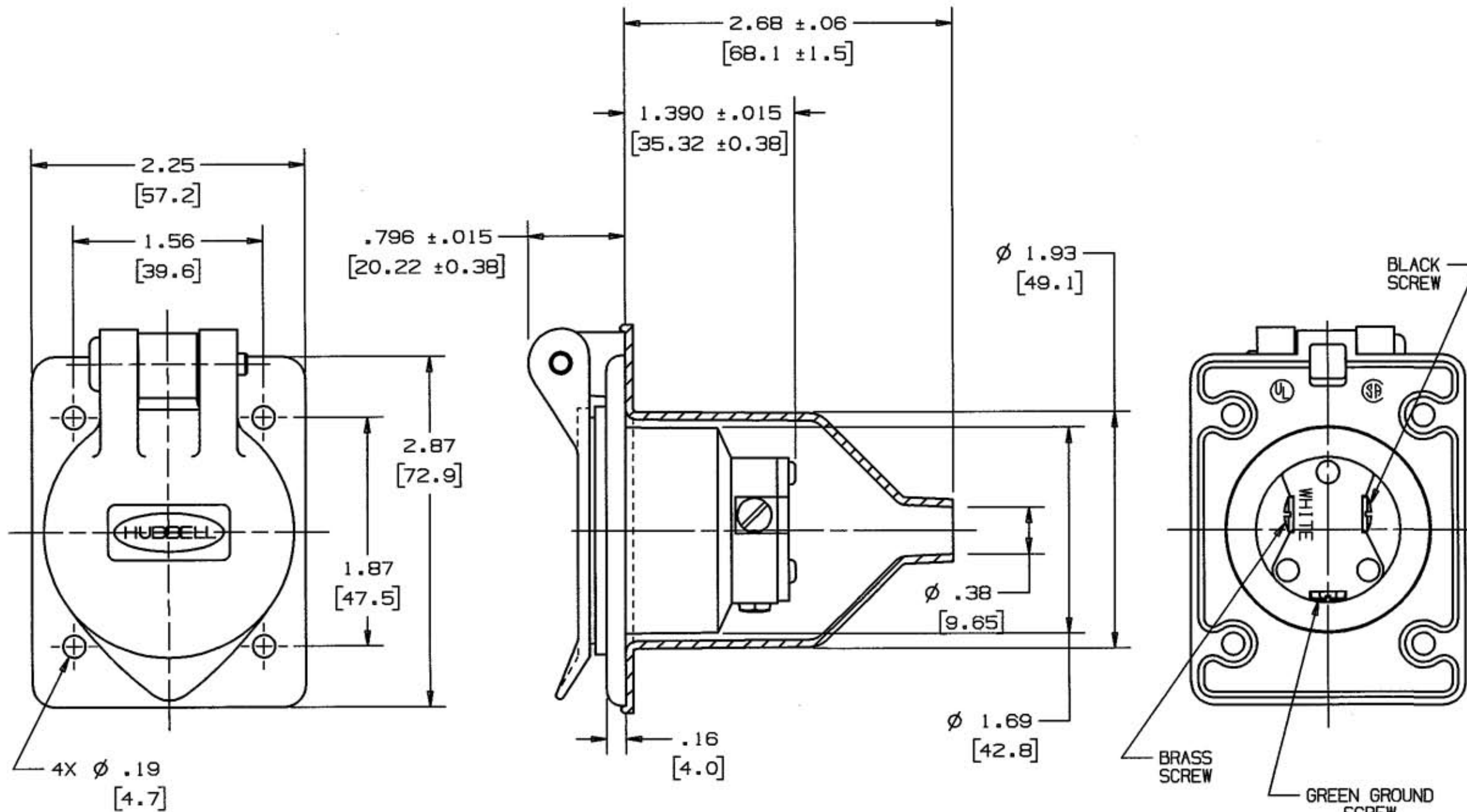


# M-5799 5



NOTES: (UNLESS OTHERWISE SPECIFIED)

1) DIMENSION FORMAT IS: INCHES  
[ mm ]

2) DIMENSIONS SHOWN ON THIS DRAWING ARE  
NOMINAL VALUES FOR GENERAL USE ONLY.  
ACTUAL PART TOLERANCES MUST BE  
OBTAINED FROM HUBBELL ENGINEERING.

CATALOG NUMBER	COVER AND FLANGE COLOR
HBL61CM64	GRAY
HBL61CM64BK	BLACK

## LIST OF PARTS

DESCRIPTION	MATERIAL	FINISH
COVER FLAP	NYLON	SEE TABLE
BASE	NYLON	SEE TABLE
GASKET	EPT	BLACK
HINGE PIN	BRASS	NICKEL PLATE
SPRING (FLAP)	ST. STEEL	
GROUND BINDING PLATE	.060 BRASS	NICKEL PLATE
GROUND BLADE	BRASS	NICKEL PLATE
CONTACT BLADES	.060 BRASS	COPPER BRASS
HEX HEAD BINDING SCREW	BRASS	GREEN
BINDING SCREWS	BRASS	BLACK BRASS
RETAINING WASHER	.051 PHENOLIC	
PROTECTIVE BOOT	NEOPRENE	GRAY

SUPERSEDES DRAWING  
DATED 11-18-74

5	REDRAWN ON CAD WITH CHANGES; DECIMAL DIMENSIONS WERE FRACTIONAL ADDED DUAL DIMENSIONING; ADDED NOTES 1 & 2; REVISED TITLE; IN LIST OF PARTS, "SEE TABLE"; WAS "GRAY"; UNDER "DIMENSION SHEET FOR CAT. NO." "SEE TABLE" WAS "61CM64"; PER DCN #8682. JMN TCM	TCM	11/9/01
---	--	-----	---------

SYM	REVISIONS	APP	DATE

THE DESIGN AND DIMENSIONS OF THE  
PRODUCT SHOWN ON THIS DRAWING ARE  
SUBJECT TO CHANGE WITHOUT NOTICE

TITLE  
WEATHERPROOF FLANGED INLET  
15AMP 125V. NEMA 5-15P

TOLERANCES UNLESS OTHERWISE SPECIFIED FRACTIONS ± 1/64 DECIMALS ± .005 ANGLES ± 2°	WIRING DEVICE-KELLEMS HUBBELL INCORPORATED BRIDGEPORT, CT	
	DR. BY CJG	APP. BY JNC
	TR. BY JMN	SCALE 1:1
	CHK'D BY TCM	DATE 11/9/01

DIMENSION SHEET FOR CAT. NO. SEE TABLE

REPAIRABLE  NON-REPAIRABLE  B

M-5799