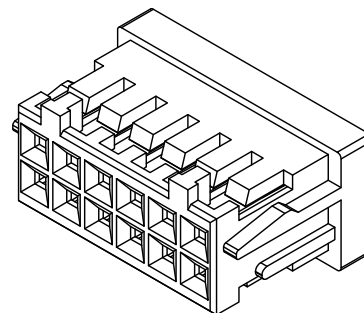
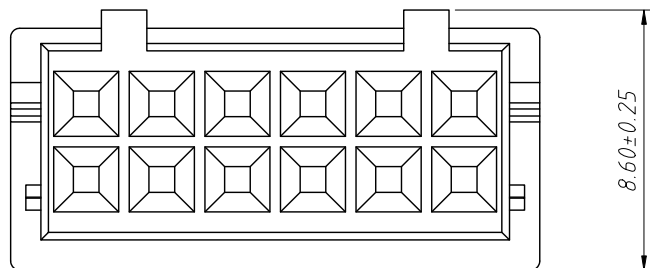
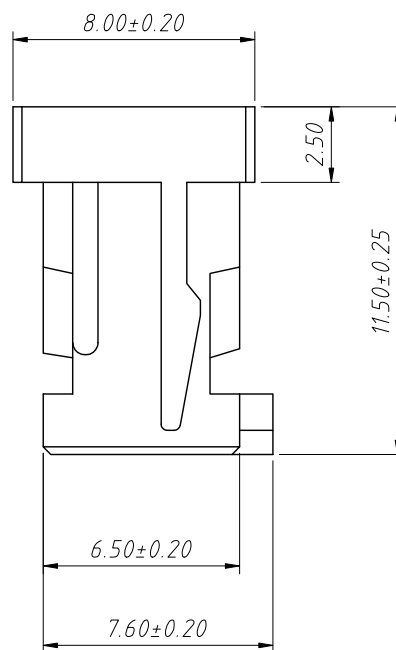
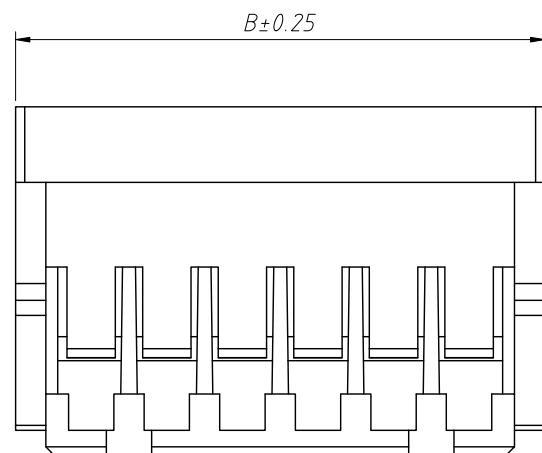


1 RoHS Compliance



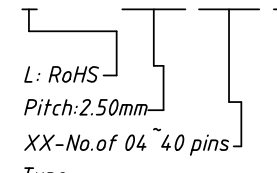
Material:  
Housing:PA66,UL94V-0,Natural Color

Electrical Characteristics:  
Rated Current:3.0AMP  
Voltage rating:250V AC,DC  
Temperature range:-25°C ~ + 85°C  
Insulator Resistance:1000MΩ Min  
Withstanding Voltage:1000V AC/minute  
Contact Resistance:20mΩ Max  
After environmental testing:30mΩ Max

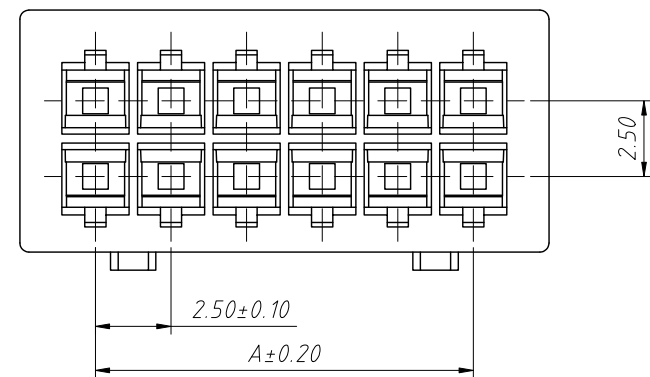


Pin	Dimensions(mm)	
	A	B
2×02	2.50	7.50
2×03	5.00	10.0
2×04	7.50	12.50
2×05	10.00	15.00
2×06	12.50	17.50
2×07	15.00	20.00
2×08	17.50	22.50
2×09	20.00	25.00
2×10	22.50	27.50
2×11	25.00	30.00
2×12	27.50	32.50
2×13	30.00	35.00
2×14	32.50	37.50
2×15	35.00	40.00
2×20	47.50	52.50

Order Information:  
L-KLS1-2.50C-2×XX-H



Type: \_\_\_\_\_  
H-Housing T-Terminal  
S-Straight pin  
R-Right angle pin

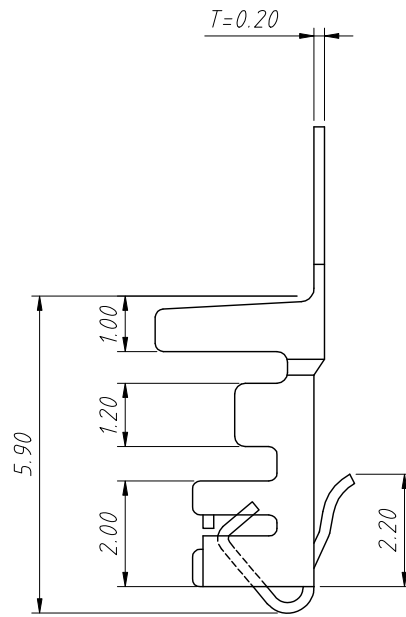
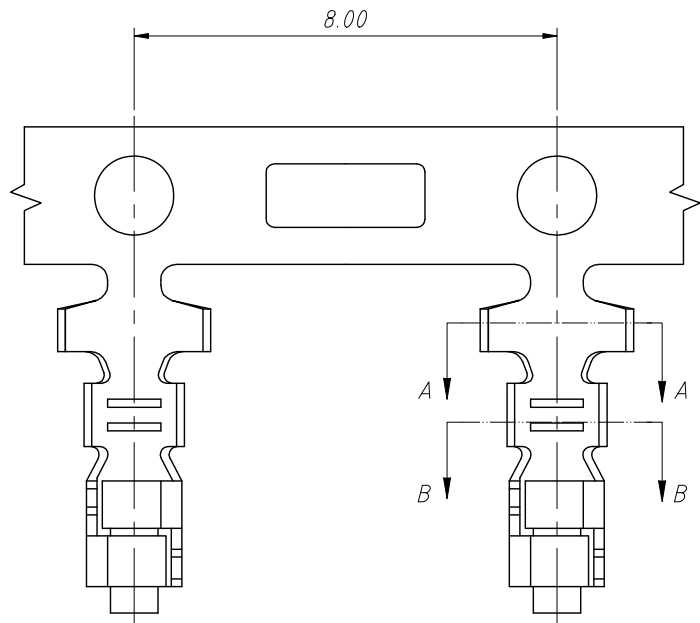


ANGLE TOLERANCE	PROJECTION	Description:
±3°		2.50mm Pitch XHD Double Type Wire To Board Connector
GENERAL TOLERANCE	UNITS	mm
x.x ±0.30	SHEET SIZE	A4
x.xx ±0.20	Draw:	Daniel 2021-01-11
x.xxx ±0.10	Check:	Daniel 2021-01-11



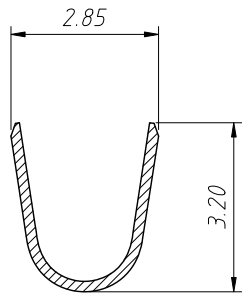
NingBo KLS ELECTRONIC CO.,L.TD.

1 RoHS Compliance

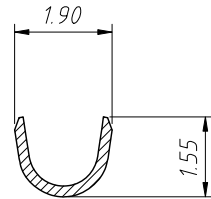


**Material:**  
 Terminal: Phosphor Bronze  
 Plating: Tin plated  
 Applicable wires: AWG #22 ~ # 26  
 Insulation O.D: 1.9mm

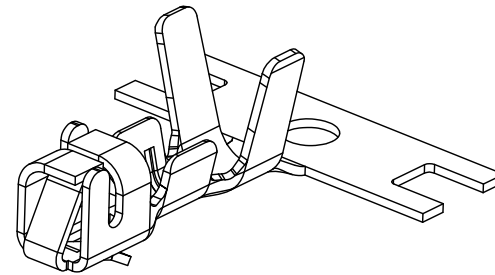
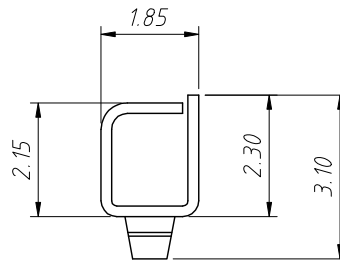
**Electrical Characteristics:**  
 Rated Current: 3.0AMP  
 Voltage rating: 250V AC, DC  
 Temperature range: -25°C ~ + 85°C  
 Insulator Resistance: 1000MΩ Min  
 Withstanding Voltage: 1000V AC/minute  
 Contact Resistance: 10mΩ Max  
 After environmental testing: 20mΩ Max



Section: A-A  
Scale : 1:1

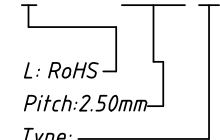


Section: B-B  
Scale : 1:1



**Order Information:**

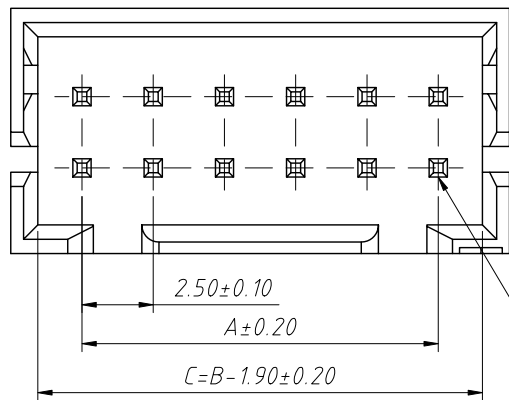
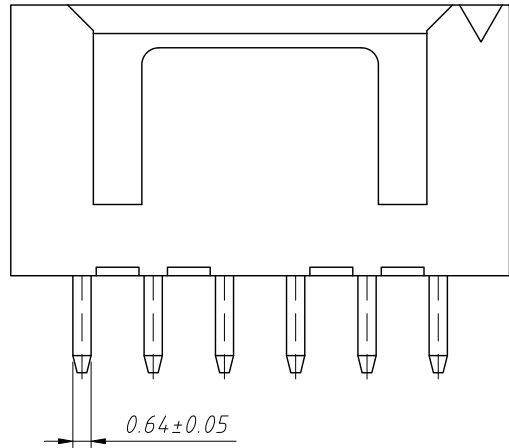
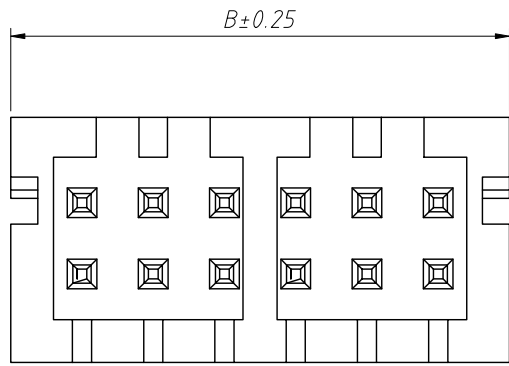
L-KLS1-2.50C-T



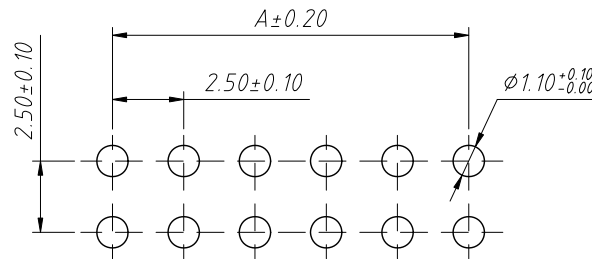
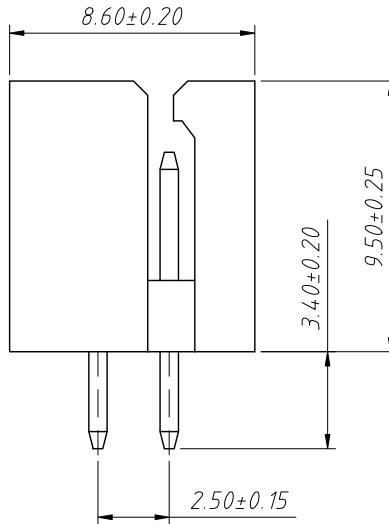
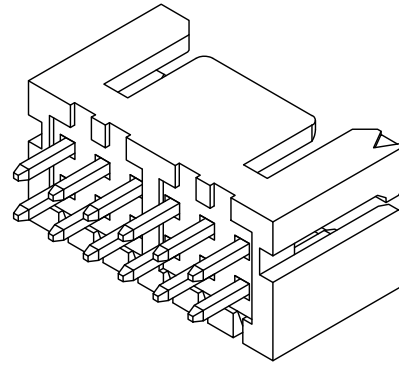
L: RoHS  
 Pitch: 2.50mm  
 Type:  
 H-Housing  
 T-Terminal  
 S-Straight pin  
 R-Right angle pin

ANGLE TOLERANCE	PROJECTION	Description:	2.50mm Pitch XHD Double Type Wire To Board Connector
±3°			
GENERAL TOLERANCE	UNITS	mm	KLS P/N: L-KLS1-2.50C-T
x.x ±0.30	SHEET SIZE	A4	NingBo KLS ELECTRONIC CO.,L TD.
x.xx ±0.20	Draw:	Daniel 2021-01-11	
x.xxx ±0.10	Check:	Daniel 2021-01-11	

RoHS Compliance



Contact No.1



PCB Layout

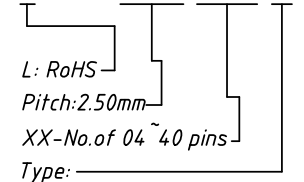
**Material:**  
 Housing: PA66, UL94V-0, Natural Color  
 Contact : Brass  
 Finish : Tin Plating

**Electrical Characteristics:**  
 Rated Current: 3.0AMP  
 Voltage rating: 250V AC, DC  
 Temperature range: -25°C ~ +85°C  
 Insulator Resistance: 1000MΩ Min  
 Withstanding Voltage: 1000V AC/minute  
 Contact Resistance: 20mΩ Max  
 After environmental testing: 30mΩ Max

Pin	Dimensions(mm)	
	A	B
2x02	2.50	7.50
2x03	5.00	10.0
2x04	7.50	12.50
2x05	10.00	15.00
2x06	12.50	17.50
2x07	15.00	20.00
2x08	17.50	22.50
2x09	20.00	25.00
2x10	22.50	27.50
2x11	25.00	30.00
2x12	27.50	32.50
2x13	30.00	35.00
2x14	32.50	37.50
2x15	35.00	40.00
2x20	47.50	52.50

**Order Information:**

L-KLS1-2.50C-2×XX-S



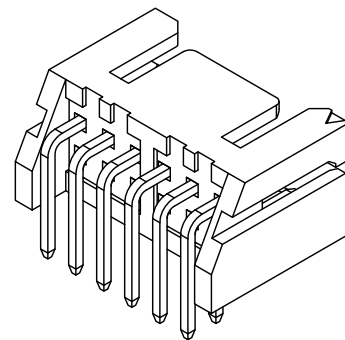
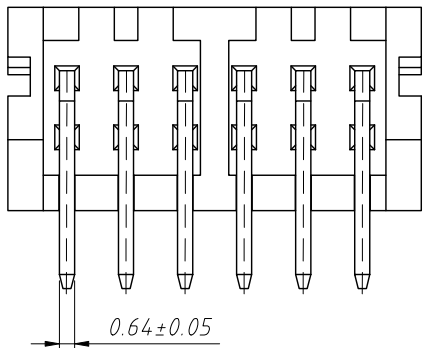
Type: \_\_\_\_\_  
 H-Housing T-Terminal  
 S-Straight pin  
 R-Right angle pin

ANGLE TOLERANCE	PROJECTION	Description:	2.50mm Pitch XHD Double Type Wire To Board Connector
±3°			
GENERAL TOLERANCE	UNITS	mm	KLS P/N: L-KLS1-2.50C-2×XX-S
x.x ±0.30	SHEET SIZE	A4	
x.xx ±0.20	Draw:	Daniel	2021-01-11
x.xxx ±0.10	Check:	Daniel	2021-01-11



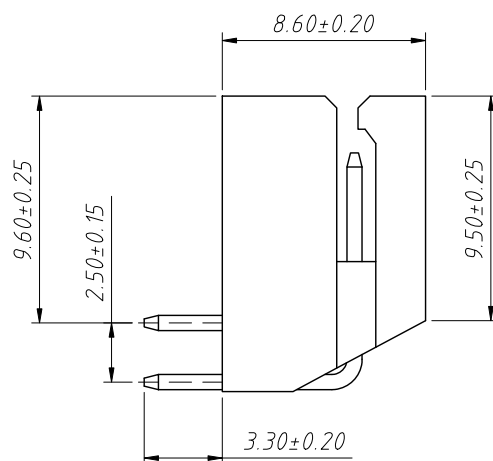
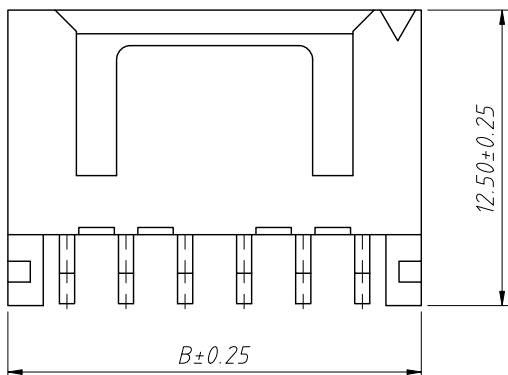
NingBo KLS ELECTRONIC CO.,L TD.

RoHS Compliance



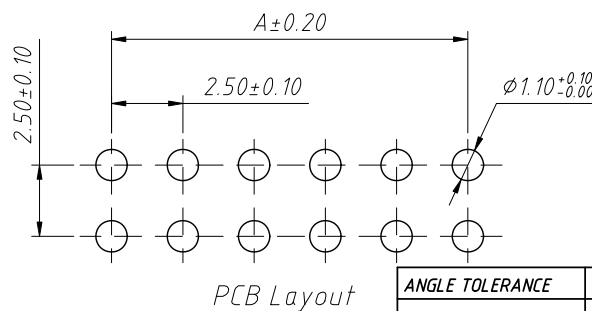
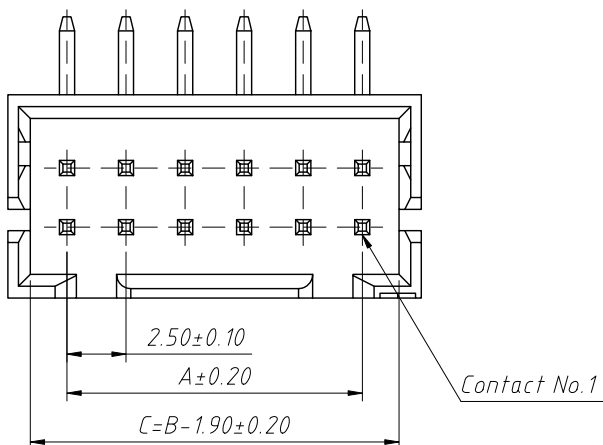
**Material:**  
 Housing: PA66, UL94V-0, Natural Color  
 Contact: Brass  
 Finish: Tin Plating

**Electrical Characteristics:**  
 Rated Current: 3.0AMP  
 Voltage rating: 250V AC, DC  
 Temperature range: -25°C ~ +85°C  
 Insulator Resistance: 1000MΩ Min  
 Withstanding Voltage: 1000V AC/minute  
 Contact Resistance: 20mΩ Max  
 After environmental testing: 30mΩ Max



Pin	Dimensions (mm)	
	A	B
2x02	2.50	7.50
2x03	5.00	10.00
2x04	7.50	12.50
2x05	10.00	15.00
2x06	12.50	17.50
2x07	15.00	20.00
2x08	17.50	22.50
2x09	20.00	25.00
2x10	22.50	27.50
2x11	25.00	30.00
2x12	27.50	32.50
2x13	30.00	35.00
2x14	32.50	37.50
2x15	35.00	40.00
2x20	47.50	52.50

**Order Information:**  
 L-KLS1-2.50C-2×XX-R  
 L: RoHS  
 Pitch: 2.50mm  
 XX-No. of 04 ~ 40 pins  
 Type: \_\_\_\_\_  
 H-Housing T-Terminal  
 S-Straight pin  
 R-Right angle pin



ANGLE TOLERANCE	PROJECTION	Description:	2.50mm Pitch XHD Double Type Wire To Board Connector
±3°			
GENERAL TOLERANCE	UNITS	mm	KLS P/N: L-KLS1-2.50C-2×XX-R
x.x ±0.30	SHEET SIZE	A4	
x.xx ±0.20	Draw:	Daniel	2021-01-11
x.xxx ±0.10	Check:	Daniel	2021-01-11

NingBo KLS ELECTRONIC CO.,L.TD.