



Product information G 30 A 5 M schwarz/black

Industrial Connecting Solutions:Rectangular Connectors:DIN VDE 0627 / IEC 61984 Connectors (G serie):Cable plug:G 30 A 5 M schwarz/black

<http://www.e-catalog.beldensolutions.com/link/57078-24228-256261-24347-24349-36962/en/conf/ui/istate>

Name G 30 A 5 M schwarz/black



Surface mounted connector with flange with solder contacts

Delivery informations

Availability available

Product description

Description Surface mounted connector with flange with solder contacts

Type G 30 A 5 M schwarz/black

Order No. 932 840-100

Type of contact blade contacts

Number of contacts 3 + PE

Standard DIN VDE 0627 / IEC 61984

Housing Color black

Technical data

Pin dimensions 2.8 mm x 0.8 mm

Rated voltage AC/DC 250 V

Rated current 10 A

Contact resistance $\leq 4 \text{ m}\Omega$

Type of termination solder (solder tabs for printed circuits)

Material

Contact surface material Sn

Contact bearer material PA

Housing material PA

Environmental conditions

Protection class (IEC 60529) IP 65

Pollution severity 3

Temperature range -40 °C to +90 °C

Inflammability class

Housing 94 HB

Contact bearer 94 HB

Approvals

VDE VDE

Packing unit

Packaging unit 100 pieces

Scope of delivery and accessories

Scope of delivery 1 surface mounted connector

Accessories to order separately can be plugged into G 30 KW 3 F 2m, G 30 W 3 F grau/grey



HIRSCHMANN

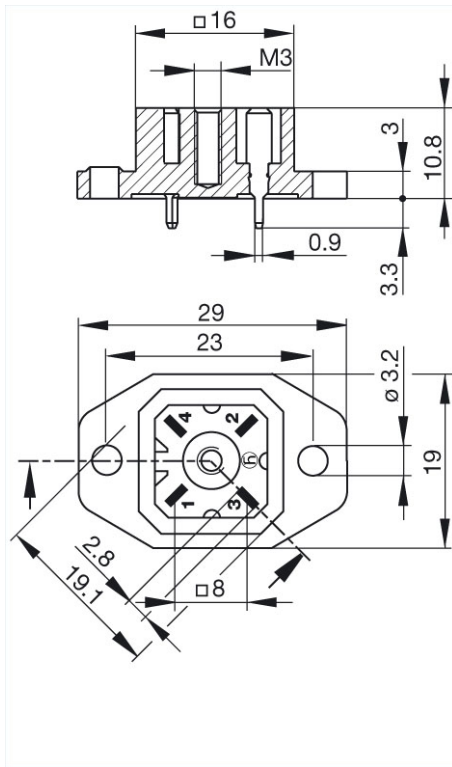
A BELDEN BRAND

Industrial Connecting Solutions:Rectangular Connectors:DIN VDE 0627 / IEC 61984 Connectors (G serie):Cable plug:G 30 A 5 M schwarz/black

<http://www.e-catalog.beldensolutions.com/link/57078-24228-256261-24347-24349-36962/en/conf/ui/state>

Picture

Drawing



Belden Deutschland GmbH

Im Gewerbepark 2
58579 Schalksmühle
Germany
Phone: +49 7127/14-1806
E-Mail: icos-sales@belden.com

The information published in the websites has been compiled as carefully as possible. It is subject to alteration without notice in technical as well as in price-related/commercial respect. The complete information and data were available on user documentation. Mandatory information can only be obtained by a concrete query.