

THIS DRAWING IS UNPUBLISHED.

RELEASED FOR PUBLICATION

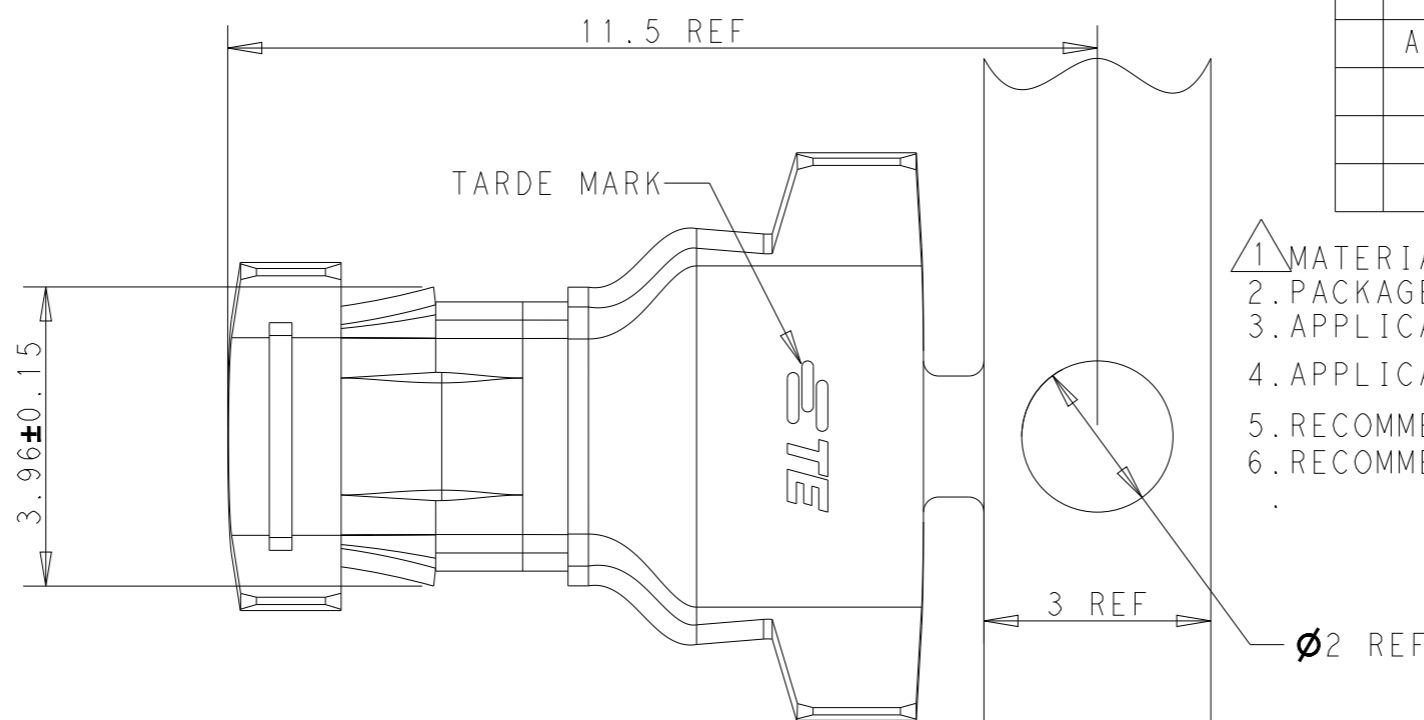
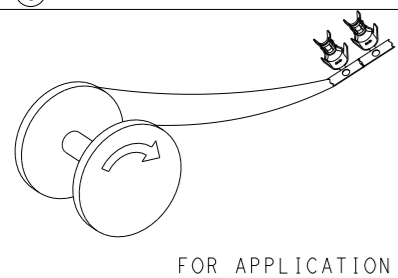
20

© COPYRIGHT 20 BY -

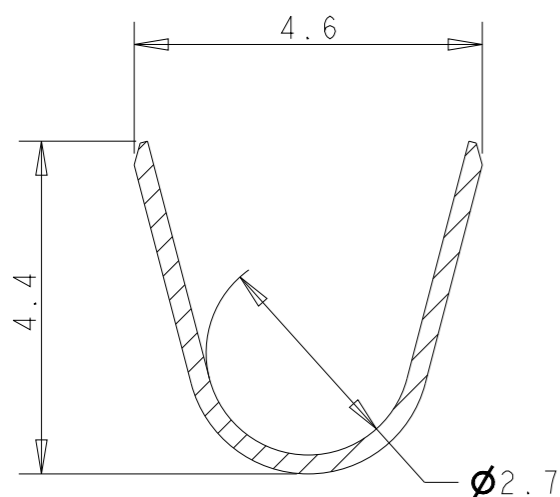
ALL RIGHTS RESERVED.

REVISIONS

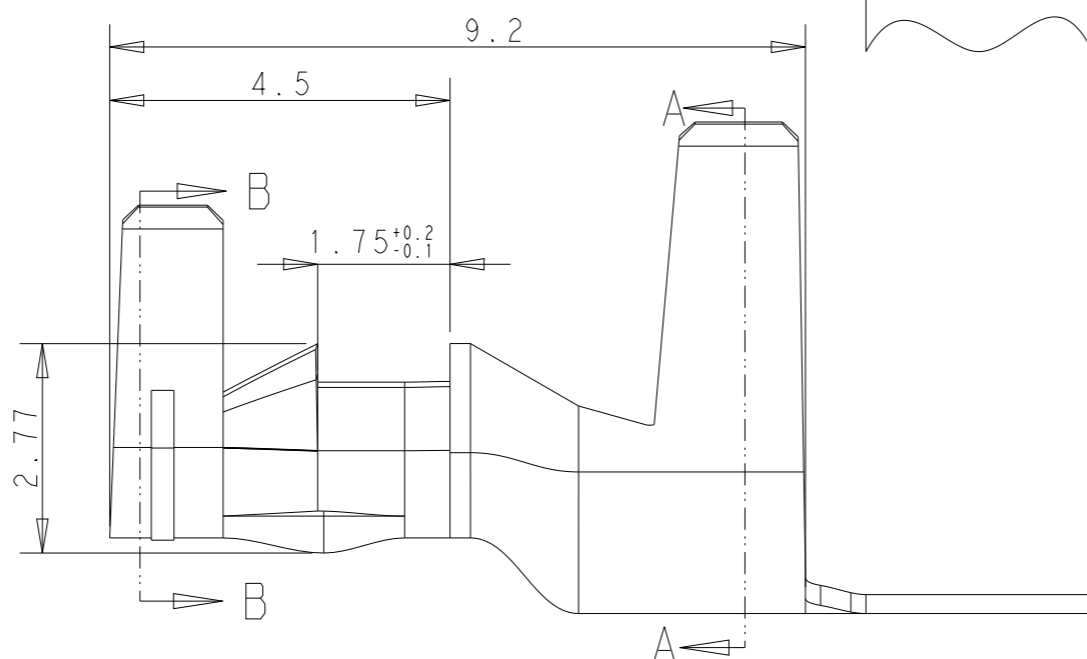
P	LTR	DESCRIPTION	DATE	DWN	APVD
	A	INITIAL RELEASE	20FEB2023	M.G	D.Z



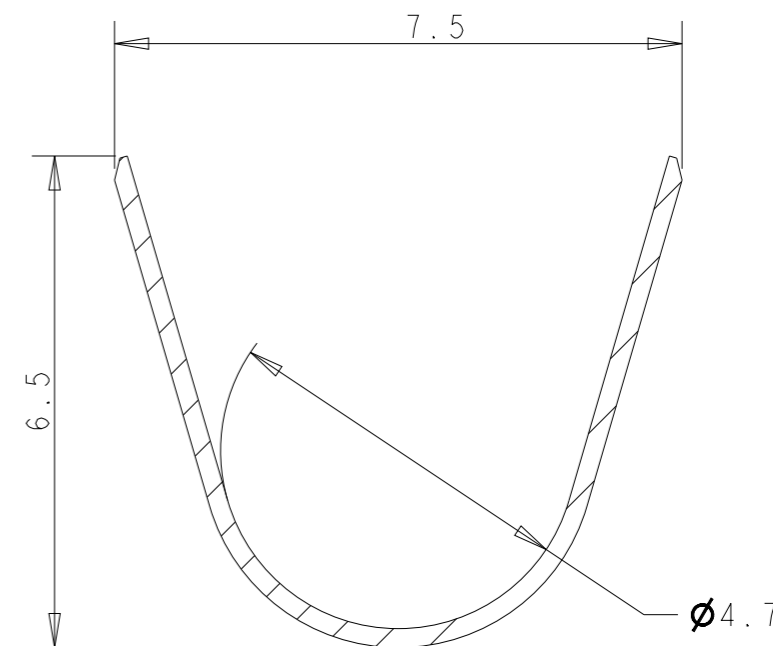
- 1. MATERIAL: COPPER ALLOY, PRE TIN
- 2. PACKAGE: REEL
- 3. APPLICATION FEED PITCH: 17MM
- 4. APPLICABLE WIRE: AWG12, INS DIA Ø4.0-4.2MM
- 5. RECOMMEND PCB HOLE DIA Ø3.5-3.6MM
- 6. RECOMMEND PCB THICKNESS 1.6±0.05MM



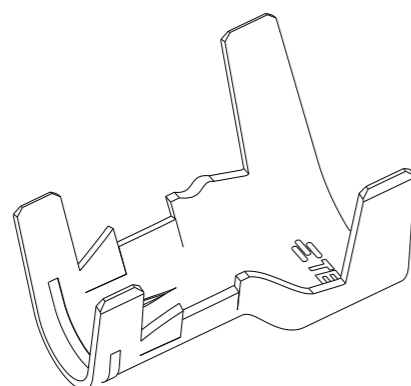
SECTION B - B



SECTION A - A



SECTION A - A



SCALE 5:1

1900PC/BOX	2393237-1
PACKAGE QUANTITY	PART NUMBER

THIS DRAWING IS A CONTROLLED DOCUMENT.

DIMENSIONS:	TOLERANCES UNLESS OTHERWISE SPECIFIED:
mm	
	0 PLC ±0.3
	1 PLC ±0.3
	2 PLC ±0.3
	3 PLC ±
	4 PLC ±
	ANGLES ±1°

MATERIAL PRE TIN

FINISH

DWN	M.GAO	26-09-2021
CHK	L.CHEN	27-09-2021
APVD	D.ZHANG	28-09-2021
PRODUCT SPEC	108-106642	
APPLICATION SPEC	114-106642	
WEIGHT	0.267	

TE Connectivity			NAME	
			BOARD-IN CONTACT L-TYPE	
SIZE	CAGE CODE	DRAWING NO	RESTRICTED TO	
A3	00779	C-2393237	-	

CUSTOMER DRAWING	SCALE 10:1	SHEET 1 OF 1	REV A
------------------	------------	--------------	-------