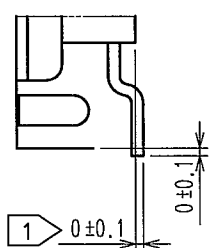
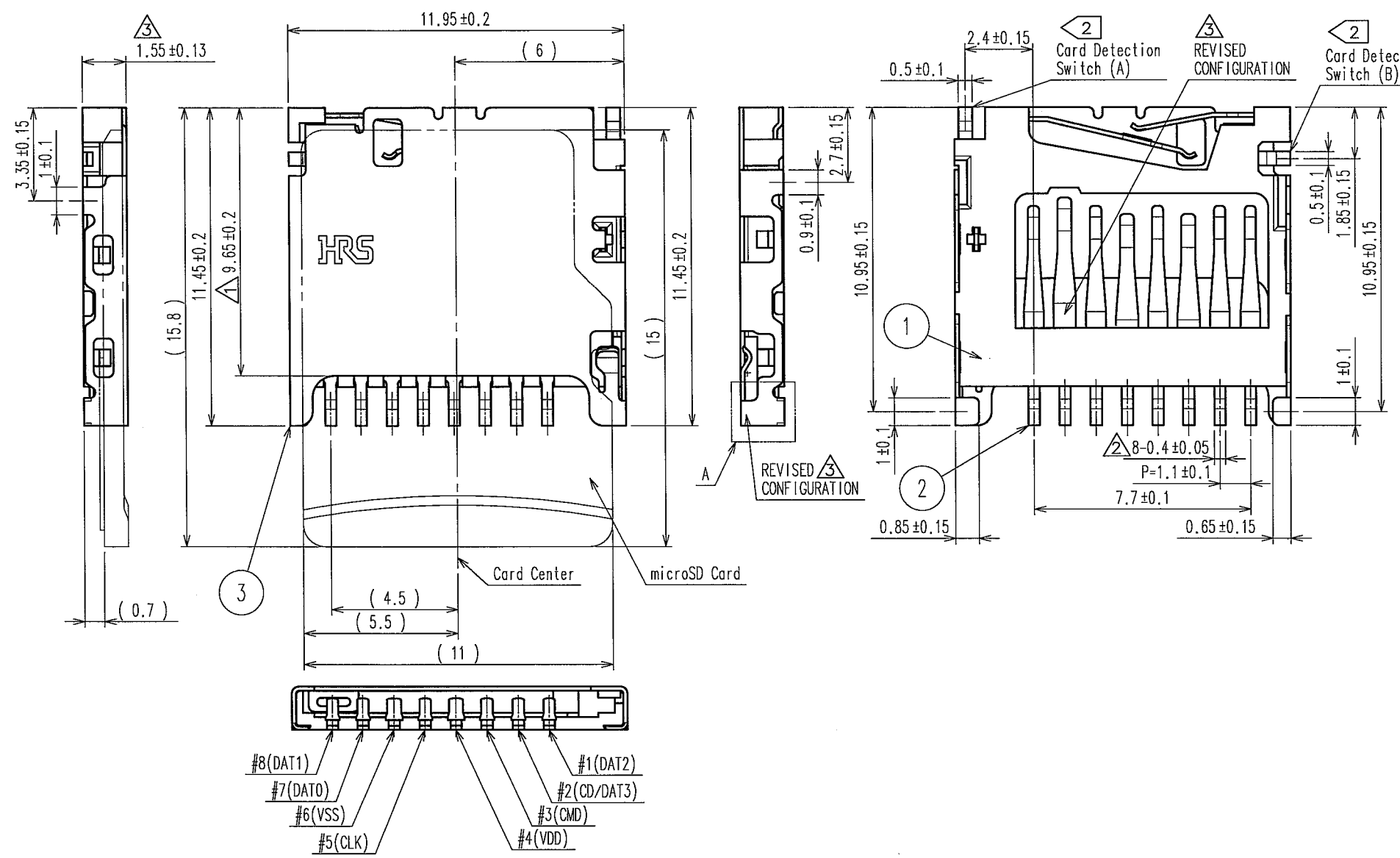
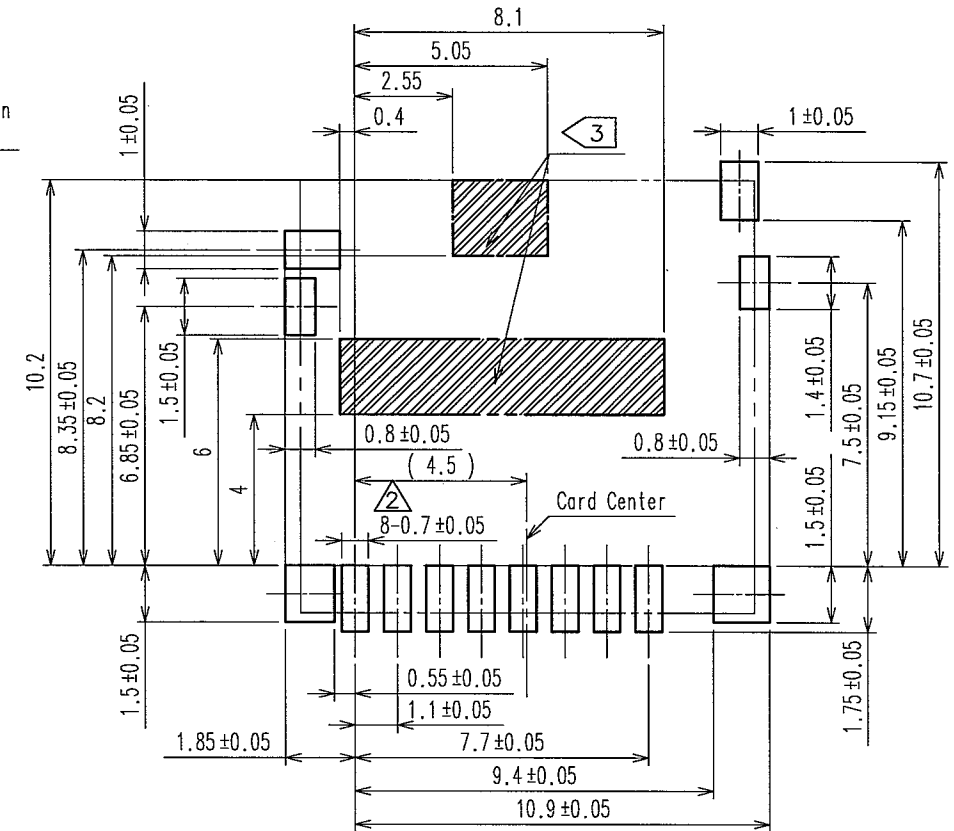


COUNT	DESCRIPTION OF REVISIONS	BY	CHKD	DATE	COUNT	DESCRIPTION OF REVISIONS	BY	CHKD	DATE
4	DIS-F-001757	K.N	O.M	'07.04.25					
2	DIS-F-002088	K.N	O.M	'07.06.15					
3	DIS-F-002241	K.N	O.M	'07.08.27					

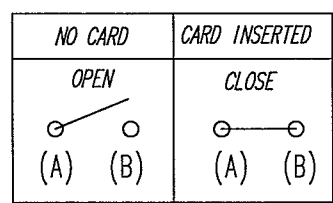
A-A(10:1)



RECOMMENDED PCB LAYOUT(MOUNTING SIDE)



NOTE. ① CO-PLANARITY SHALL BE 0.1mm MAX.  
② CARD DETECTION SWITCH



③ : NO PATTERNS ARE PERMITTED IN THIS OBLIQUE-HATCHED AREA.

NO.	MATERIAL	FINISH, REMARKS	NO.	MATERIAL	FINISH, REMARKS
3	STAINLESS STEEL	MOUNTING AREA Ni0.5μm+Sn2μm	2	PHOSPHOR BRONZE	CONTACT AREA Ni2μm+Au0.1μm MOUNTING AREA Ni1μm+Au0.03μm
1	LCP	BLACK UL94V-0			

CODE NO. (OLD)	DRAWN	DESIGNED	CHECKED	APPROVED	RELEASED
	K.NISHIWAKI 07.03.27	K.NISHIWAKI 07.03.27	O.MIYAMOTO 07.03.27	K.AKIYAMA 07.03.28	

DRAWING NO.	PART NO.
EDC3-156814	DM3D-SF

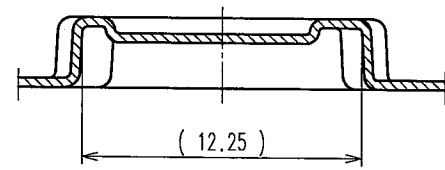
SCALE	UNITS	CODE NO.
FREE	mm	CL609-0025-8

TO

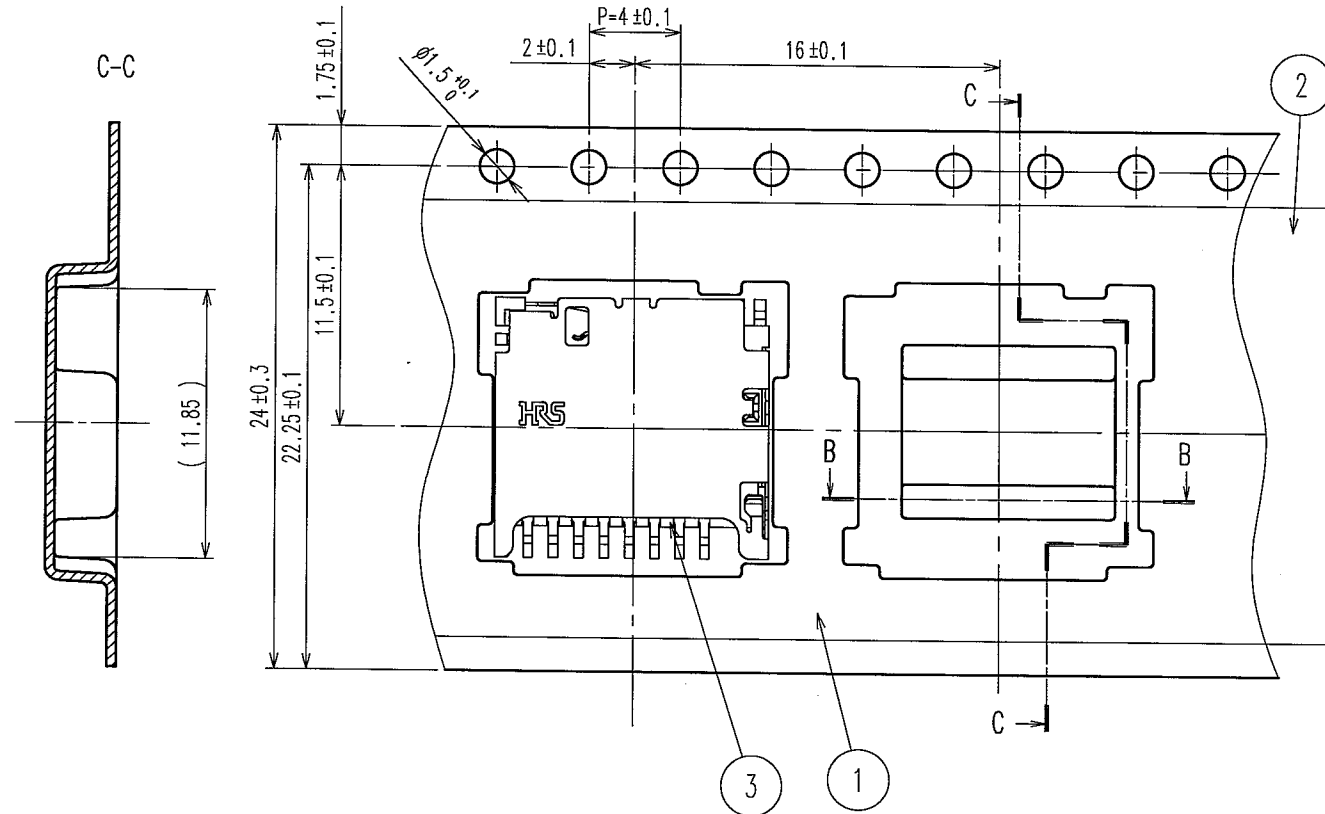
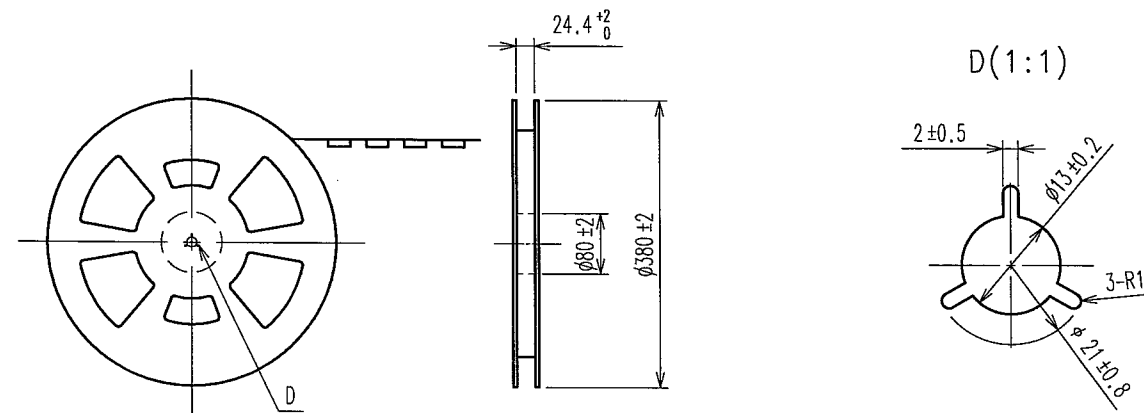
④ DRAWING FOR PACKING

B-B

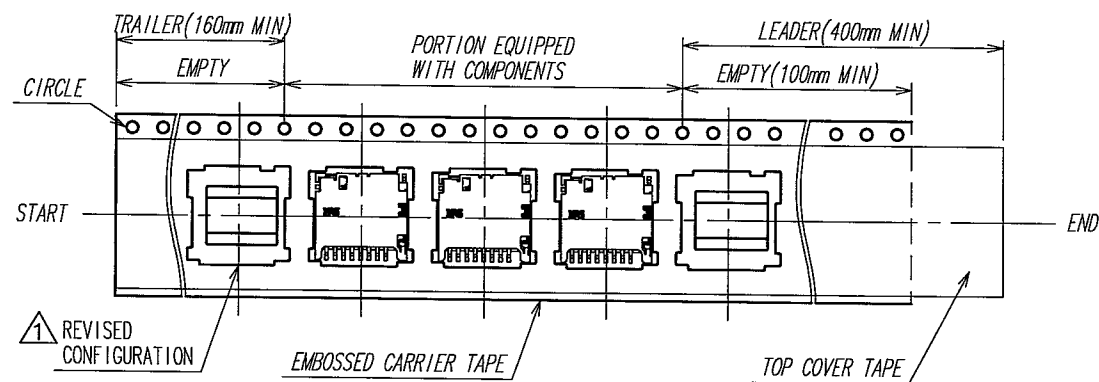
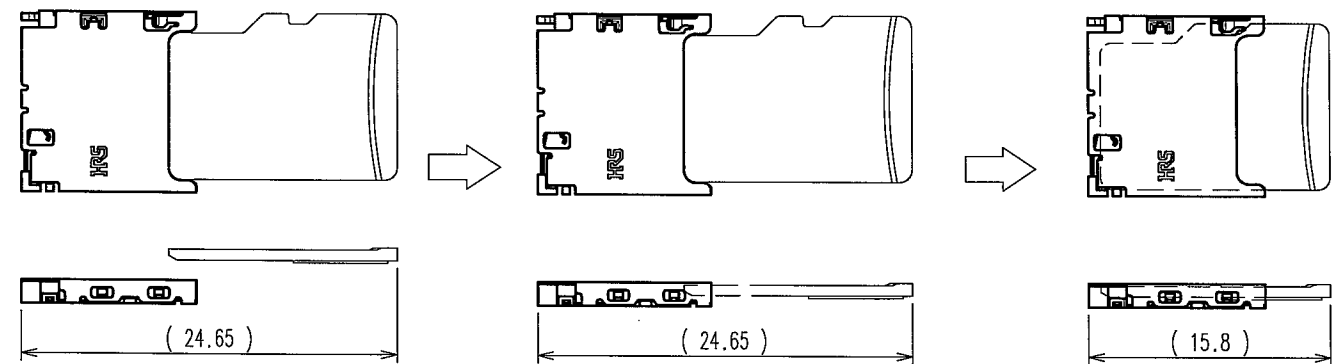
UNREELING DIRECTION



DETAIL OF REEL (1:10)



△ CARD INSERTION METHOD



3	(CONNECTORS)
2	POLYESTER
1	PS

NO.	MATERIAL	FINISH, REMARKS	NO.	MATERIAL	FINISH, REMARKS
CODE NO. (OLD)			DRAWN	DESIGNED	CHECKED
			K. NISHIWAKI 07.03.27	K. NISHIWAKI 07.03.27	O. MIYAMOTO 07.03.27
				APPROVED	RELEASED
				K. AKIYAMA 07.03.28	
DRAWING NO. EDC3-156814		PART NO. DM3D-SF			
SCALE 2:1		CODE NO. CL609-0025-8		2	
UNITS mm		HRS HIROSE ELECTRIC CO., LTD			

NOTE. ④ PACKING TYPE: TAPE AND REEL. 2000PCS PER REEL.  
 5. PLEASE REFER TO TECHNICAL SPECIFICATION : ETAD-F0353  
 "DM3D SERIES PRODUCT INFORMATION AND HANDLING INSTRUCTIONS"  
 FOR THE HANDLING OF THE PRODUCT.

COUNT	DESCRIPTION OF REVISIONS	BY	CHKD	DATE	COUNT	DESCRIPTION OF REVISIONS	BY	CHKD	DATE

TO