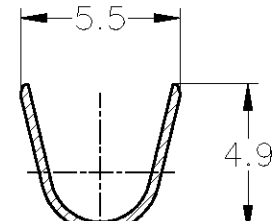
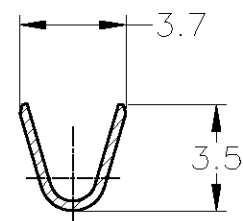
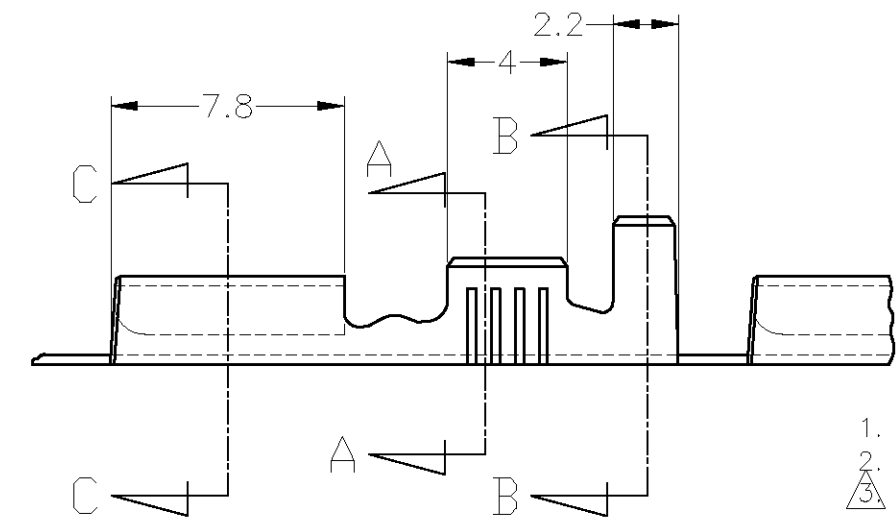
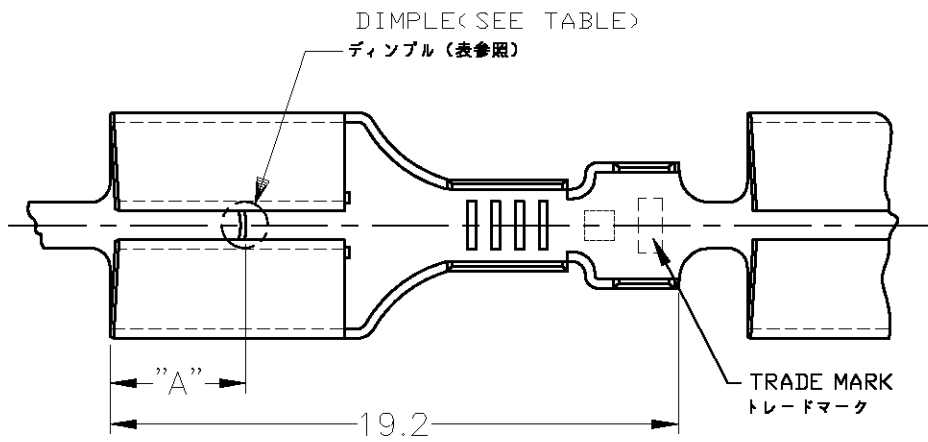


THIS DRAWING IS UNPUBLISHED. RELEASED FOR PUBLICATION
 © COPYRIGHT 2004 BY TYCO ELECTRONICS CORPORATION. ALL RIGHTS RESERVED.

| | | | | |
|-----|------|-----------|---------|---------------|
| LOG | DIST | REVISIONS | | |
| J | - | P | LTR | DESCRIPTION |
| | | U | REVISED | ECR-08-029624 |
| | | | | DATE |
| | | | | 21NOV'08 |
| | | | | DWN |
| | | | | J.S |
| | | | | APVD |
| | | | | N.Y |

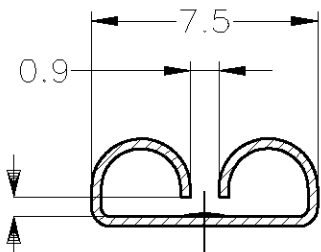
推奨タブ図

RECOMMENDED TAB DIMENSIONS



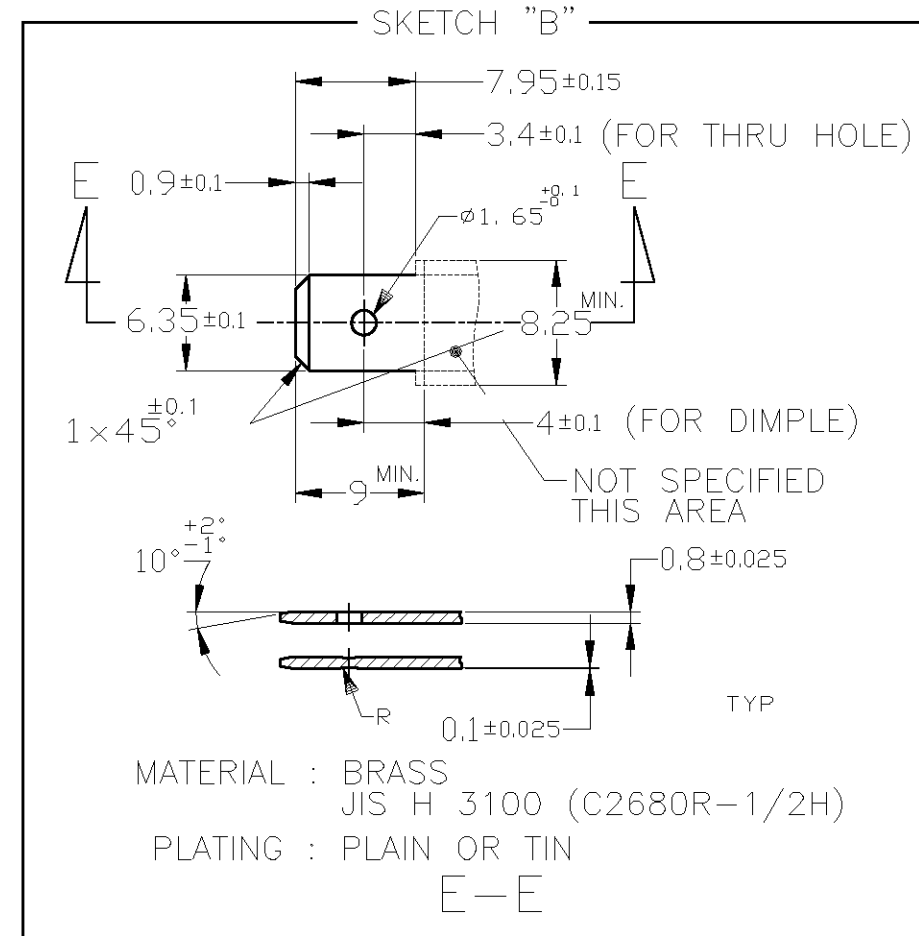
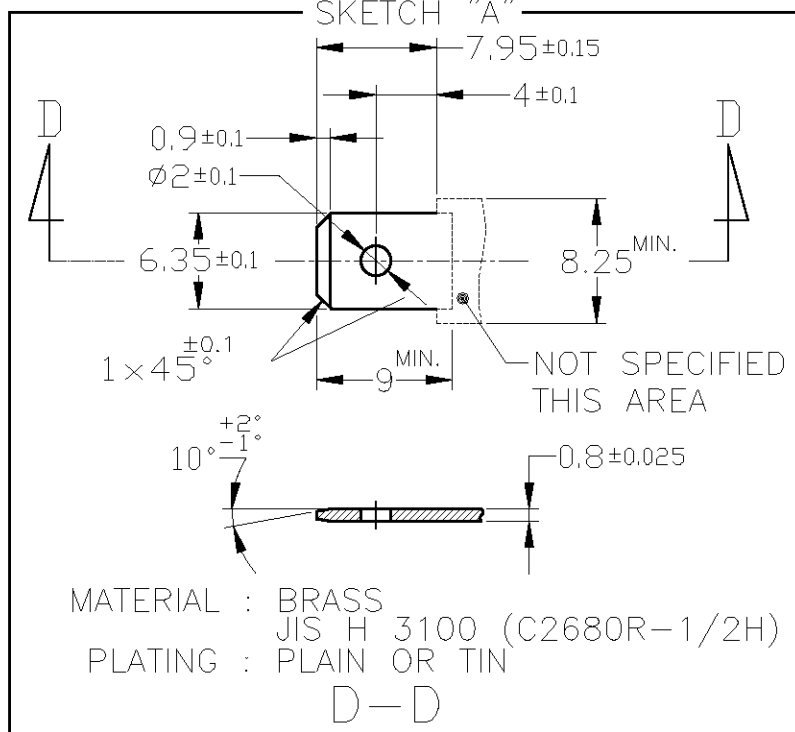
A-A

B-B



この寸法は嵌合力によって管理する。
 THIS DIMENSION IS CONTROLLED WITH MATING FORCE.

C-C



1. PRODUCT SPEC : 108-5153, 108-5169
2. CRIMP SPEC : 114-5052
3. STRESS RELIEVING FINISH IS SUBJECT TO CHANGE BY THE TYPE OF STRESS RELIVING PROCESS
 INERT GAS FURNACE - - - -MATTE
 ATOMOSPHERIC FURNACE FOLLOWED BY ACID PICKLE - - - -BRIGHT
4. ELIMINATION STRESS RELIVING PROCESS
5. PRODUCT SPECIFICATION: 108-5147
6. QUALIFICATION TEST REPORT: 501-5050

| | | | | | | | | |
|----------|------------------------|-------------------------|-------------|-------------|-----------|-----|--------------------|-------------|
| OBSELETE | AMP AUSTRALIAN PRODUCT | 170030-1 | W/O DIMPLE | △ | BRASS | -/- | -/- | 6-170032-2 |
| | 777 オーストラリア製 | OR EQUIVALENT TO 170030 | | | | | | |
| | | 170030-3 | W/O DIMPLE | TIN PLATING | ZKLF-5 #4 | -/- | -/- | 170032-6 |
| | | OR EQUIVALENT TO 170030 | | 錫メッキ | | | | |
| | | 170256-3 | W/O DIMPLE | TIN PLATING | BRASS | -/- | 179461-5 | 170032-5 |
| | | OR EQUIVALENT TO 170256 | | 錫メッキ | | | | |
| | | SKETCH, "A" | WITH DIMPLE | TIN PLATING | BRASS | 4.5 | -/- | 170032-4 |
| | | | | 錫メッキ | | | | |
| | | SKETCH "A" OR "B" | WITH DIMPLE | // | BRASS | 3.8 | // | 170032-3 |
| | | 170030-1 | W/O DIMPLE | -/- | BRASS | -/- | -/- | 170032-2 |
| | | OR EQUIVALENT TO 170030 | | | | | | |
| | | SKETCH, "A" | WITH DIMPLE | -/- | BRASS | 4.5 | -/- | 170032-1 |
| | | | | | | | | |
| | | MATING TAB | DIMPLE | FINISH | MATERIAL | "A" | LOOSE PIECE NUMBER | PART NUMBER |

1. 製品規格 : 108-5153, 108-5169
2. 取付適用規格 : 114-5052
3. ストレス除去処理
 処理方法により外観が変わります。
 不活性ガス加熱方式 - - - 無光沢
 大気加熱方式 - - - 光沢
4. ストレス除去処理をしない。
5. 製品規格 : 108-5147
6. 認定試験報告書 : 501-5050

THIS DRAWING IS A CONTROLLED DOCUMENT.

| | | | |
|--|---|--|--|
| DIMENSIONS: 単位: 概 mm | TOLERANCES UNLESS OTHERWISE SPECIFIED: 一般公差 ±0.4 | DWN A.YAMAGUCHI 23JUN04 | Tyco Electronics AMP K.K. Kawasaki, Japan |
| | 0-PLC ± 1-PLC ± 2-PLC ± 3-PLC ± 4-PLC ± ANGLES ±3° | CHK K.BETSUI 23JUN04 | |
| | | APVD K.BETSUI 23JUN04 | |
| | | PRODUCT SPEC 製品規格 SEE NOTE | |
| APPLICATION SPEC 取付適用規格 | FINISH 仕上 | NAME 名称 250 SERIES RECEPTACLE WITHOUT LATCH | RESTRICTED TO |
| WIRE RANGE 0.5-2.27mm ² (AWG20-14) | MATERIAL 材料 0.32 THK | WEIGHT - | SIZE A3 |
| INSULATION DIA. 2.16~3.43mmφ | SEE TABLE △ | CAGE CODE 00779 | DRAWING NO 番号 170032 |
| | | CUSTOMER DRAWING | |
| | | SCALE 尺度 4:1 | SHEET 1 OF 1 |
| | | | REV U |