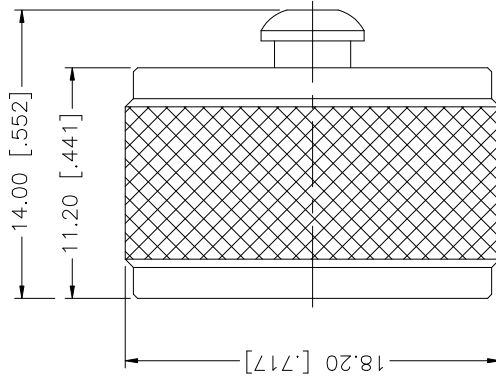


REV.	DATE	ECR NO.	DESCRIPTION
NC	06/07/99	-	INITIAL RELEASE
A	06/29/08	-	UPDATE DRAWING FORMAT



Amphenol Connex

N MALE CAP - NO CHAIN

PART DESCRIPTION

202102-10

PART NO.

DWG. NO.

202102-10.DWG

REV. A

SIZE A

SCALE A

SCALE NA

APPROVALS		DATE
DRAWN	GRS	06/29/08
CHECKED		
ISSUED		
SHEET	1 OF 1	
CAD FILE C:/202/202102-10.DWG		

QTY	FINISH	MATERIAL	DESCRIPTION
1	NICKEL	BRASS	RIVET
1	RED	SILICONE	GASKET
1	NICKEL	BRASS	SHELL
QTY	FINISH	MATERIAL	DESCRIPTION

UNLESS OTHERWISE SPECIFIED DIMENSIONS ARE IN MILLIMETERS. DIMENSIONS IN [] ARE IN INCHES AND FOR CUSTOMER REFERENCE ONLY.	
UNLESS OTHERWISE SPECIFIED TOLERANCES FOR MILLIMETERS ARE:	
0.5 - 8mm	± 0.20mm
8 - 30mm	± 0.40mm
30 - 120mm	± 0.50mm
UNLESS OTHERWISE SPECIFIED TOLERANCES FOR INCHES ARE:	
.020 - .315	± 0.007"
.315 - 1.180	± 0.015"
1.180 - 4.724	± 0.020"
DO NOT SCALE DRAWING	