

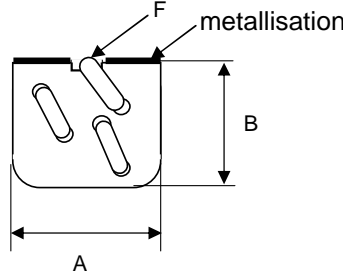
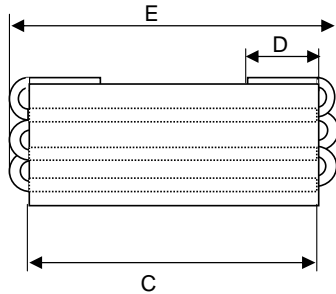
# Spezifikation für Freigabe / specification for release

Kunde / customer : \_\_\_\_\_  
 Artikelnummer / part number : **7427511**  
 Bezeichnung : **5-Loch SMD Ferritperle WE-SUKW**  
 description : **5-Hole SMD Ferrite Bead WE-SUKW**



DATUM / DATE : 2007-06-11

## A Mechanische Abmessungen / dimensions:

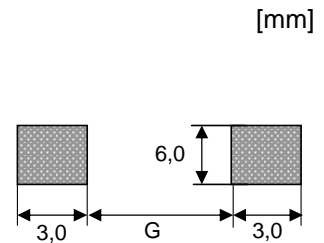


A	<b>5,0 ± 0,25</b>	mm
B	<b>4,6 ± 0,5</b>	mm
C	<b>5,5 ± 0,5</b>	mm
D	<b>2,0 max.</b>	mm
E	<b>8,0 max.</b>	mm
F	<b>∅ 0,5 ref.</b>	mm
G	<b>2,0 max.</b>	mm

## B Elektrische Eigenschaften / electrical properties:

Eigenschaften / properties	Testbedingungen / test conditions		Wert / value	Einheit / unit	
Impedanz @ 2,5 Wg./ impedance @ 2,5 turn	<b>25 MHz</b>	Z	<b>272</b>	Ω	<b>typ.</b>
Impedanz @ 2,5 Wg./ impedance @ 2,5 turn	<b>100 MHz</b>	Z	<b>416</b>	Ω	<b>typ.</b>
Nennstrom rated current		I <sub>DC</sub>	<b>5,00</b>	A	<b>max.</b>

## C



## D Prüfgeräte / test equipment:

**HP 4191 B** für/for Z und/and material  
**16092A** - Klemme / clamp

## E Testbedingungen / test conditions:

Luftfeuchtigkeit / humidity: 33%  
 Umgebungstemperatur / temperature: + 20°C

## F Werkstoffe & Zulassungen / material & approvals:

Basismaterial / base material: 5 W 700

## G Eigenschaften / general specifications:

Curietemperatur / curie temperature: + 140°C  
 Lagertemperatur / storage temperature: -40°C - + 125°C  
 Betriebstemp. / operating temperature: -40°C - +125°C

Freigabe erteilt / general release:	<b>Kunde / customer</b>				
	.....				
Datum / date	Unterschrift / signature				
	<b>Würth Elektronik</b>				
	.....				
Geprüft / checked	Kontrolliert / approved				
			Name	<b>Änderung / modification</b>	Datum / date
			SMU	Version 6	07-06-11
			SST	add name	05-03-17
			LF	RoHS Update	04-10-11
			LF	Pad / Metallisation	04-06-03
			LF	Tape and Reel Spec.	04-02-17
			JH	Neugestaltung	00-12-06

**Würth Elektronik eiSos GmbH & Co. KG**

D-74638 Waldenburg · Max-Eyth-Strasse 1 - 3 · Germany · Telefon (+49) (0) 7942 - 945 - 0 · Telefax (+49) (0) 7942 - 945 - 400  
<http://www.we-online.com>

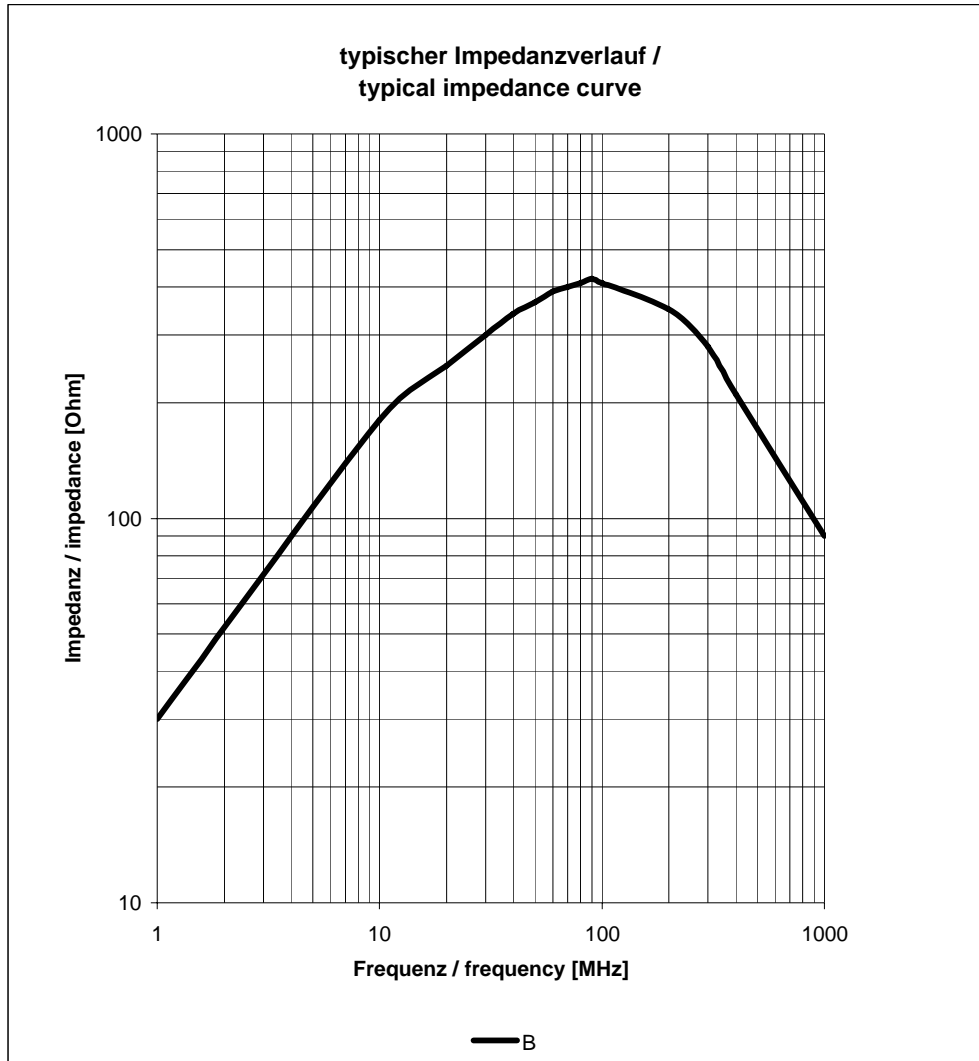
# Spezifikation für Freigabe / specification for release

Kunde / customer : \_\_\_\_\_  
 Artikelnummer / part number : **7427511**  
 Bezeichnung : **5-Loch SMD Ferritperle WE-SUKW**  
 description : **5-Hole SMD Ferrite Bead WE-SUKW**



DATUM / DATE : 2007-06-11

## H Impedanzverlauf / impedance curve:



**B: 2,5 Windungen / 2,5 turns**

Freigabe erteilt / general release:	<b>Kunde / customer</b>			
.....	.....	SMU	Version 6	07-06-11
Datum / date	Unterschrift / signature	SST	add name	05-03-17
.....	.....	LF	RoHS Update	04-10-11
	<b>Würth Elektronik</b>	LF	Pad / Metallisation	04-06-03
.....	.....	LF	Tape and Reel Spec.	04-02-17
Geprüft / checked	Kontrolliert / approved	JH	Neugestaltung	00-12-06
		Name	<b>Änderung / modification</b>	Datum / date

**Würth Elektronik eiSos GmbH & Co. KG**

D-74638 Waldenburg · Max-Eyth-Strasse 1 - 3 · Germany · Telefon (+49) (0) 7942 - 945 - 0 · Telefax (+49) (0) 7942 - 945 - 400  
<http://www.we-online.com>

# Spezifikation für Freigabe / specification for release

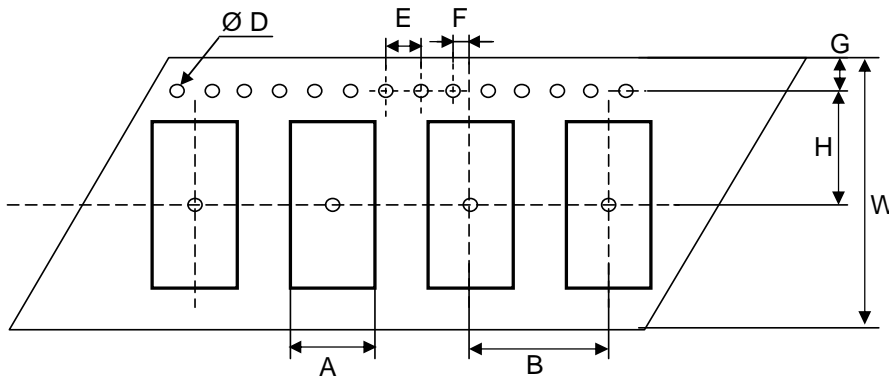
Kunde / customer : \_\_\_\_\_  
 Artikelnummer / part number : **7427511**  
 Bezeichnung : **5-Loch SMD Ferritperle WE-SUKW**  
 description : **5-Hole SMD Ferrite Bead WE-SUKW**



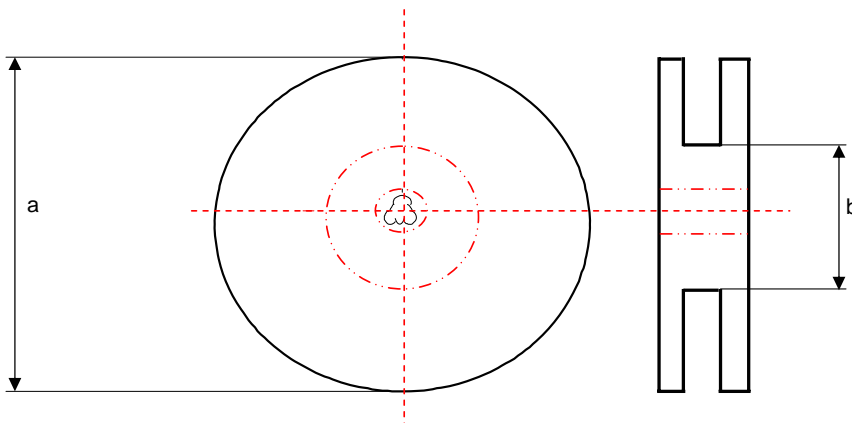
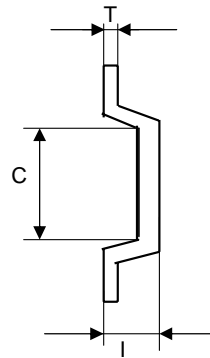
DATUM / DATE : 2007-06-11

## I Rollenspezifikation / tape and reel specification :

## Gurtspezifikation / Tape specification :



A	<b>5,40 ± 0,1</b>	mm
B	<b>12,0 ± 0,1</b>	mm
C	<b>7,4 ± 0,1</b>	mm
D	<b>1,50<sup>+0,1</sup><sub>-0,0</sub></b>	mm
E	<b>4,00 ± 0,1</b>	mm
F	<b>2,00 ± 0,1</b>	mm
G	<b>1,75 ± 0,1</b>	mm
H	<b>11,5 ± 0,1</b>	mm
I	<b>5,20 ± 0,1</b>	mm
W	<b>24,0 ± 0,3</b>	mm
T	<b>0,40 ± 0,05</b>	mm



Rollenspezifikation/reel specification:		
a	<b>330,0 ± 0,1</b>	mm
b	<b>100,0 ± 0,1</b>	mm

Freigabe erteilt / general release:	<b>Kunde / customer</b>		
	.....	.....	
Datum / date	<b>Unterschrift / signature</b>		
.....	<b>Würth Elektronik</b>		
.....	.....		
Geprüft / checked	<b>Kontrolliert / approved</b>		
.....	.....		
	Name	<b>Änderung / modification</b>	Datum / date
		Version 6	07-06-11
		add name	05-03-17
		RoHS Update	04-10-11
		Pad / Metallisation	04-06-03
		Tape and Reel Spec.	04-02-17
		Neugestaltung	00-12-06

This electronic component has been designed and developed for usage in general electronic equipment. Before incorporating this component into any equipment where higher safety and reliability is especially required or if there is the possibility of direct damage or injury to human body, for example in the range of aerospace, aviation, nuclear control, submarine, transportation, (automotive control, train control, ship control), transportation signal, disaster prevention, medical, public information network etc, Würth Elektronik eiSos GmbH must be informed before the design-in stage. In addition, sufficient reliability evaluation checks for safety must be performed on every electronic component which is used in electrical circuits that require high safety and reliability functions or performance.

**Würth Elektronik eiSos GmbH & Co. KG**

D-74638 Waldenburg · Max-Eyth-Strasse 1 - 3 · Germany · Telefon (+49) (0) 7942 - 945 - 0 · Telefax (+49) (0) 7942 - 945 - 400  
<http://www.we-online.com>