

■ Features

- Molding Inductor.
- Low Profile,Low Temp.
- Large Current(Over 15A).
- Customize For Different Need.
- Operating temperature:-40℃ ~ +125℃.

■ Applications

- General Electronic.
- Video Device,TV,TFT.
- Power Module for PC.
- NB/Lap Top Computer.
- Server,VGA Card/Module.

■ Product Identification

$\frac{\text{YSPI}}{(1)} \quad \frac{\square\square\square\square}{(2)} - \frac{\square\square\square}{(3)} \quad \frac{\square}{(4)}$

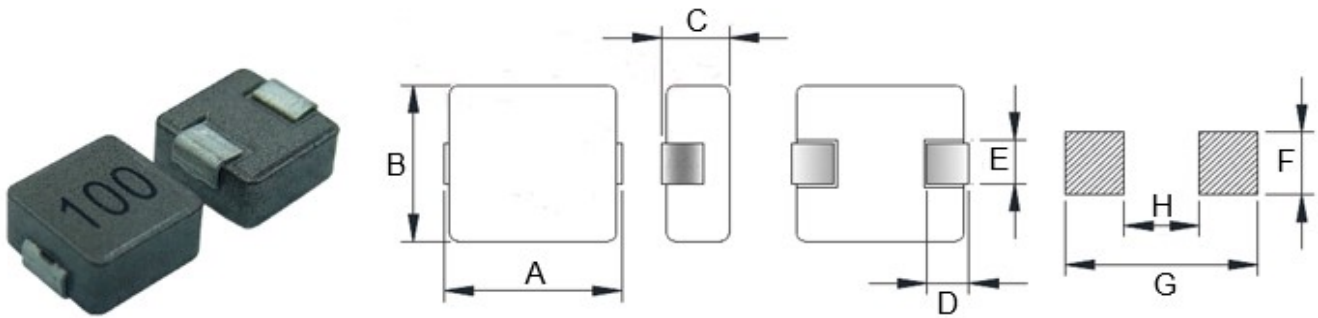
(1) : Type

(2) : Dimensions

(3) : Inductance value

(4) : Inductance Tolerance: N=±30%,M=±20%, K=±10%

■ Shapes and Dimensions (Unit: mm)



TYPE	A	B	C Max.	D	E Ref.	F Ref.	G Ref.	H Ref.
YSPI1365	13.8±0.5	12.6±0.5	6.5	2.5±0.5	3.5±0.5	4.5	14.5	8.0

■ YSPI1365 Series

Part Number	Inductance (uH) @100KHz	DC Resistance (mΩ)		Heat Rating Current (A)	Saturation Current (A)
		Typ.	Max.		
YSPI1365-R22□	0.22	0.39	0.90	38.0	70.0
YSPI1365-R36□	0.36	0.75	1.00	36.0	65.0
YSPI1365-R80□	0.80	0.86	1.20	20.0	32.0
YSPI1365-2R2□	2.20	4.70	6.10	17.0	26.0
YSPI1365-3R3□	3.30	5.90	7.10	15.0	27.0
YSPI1365-5R6□	5.60	9.00	12.00	12.0	24.0
YSPI1365-7R8□	7.80	13.50	17.00	10.0	17.0
YSPI1365-100□	10.0	15.00	18.00	8.0	12.0
YSPI1365-220□	22.0	33.50	36.00	5.0	8.0
YSPI1365-330□	33.0	48.00	57.00	4.0	6.0
YSPI1365-470□	47.0	57.50	75.00	5.0	7.0
YSPI1365-560□	56.0	74.00	95.00	3.0	4.5
YSPI1365-680□	68.0	113.0	148.0	3.0	6.0
YSPI1365-101□	100	240.0	310.0	2.5	4.0
YSPI1365-151□	150	231.0	280.0	2.0	3.0

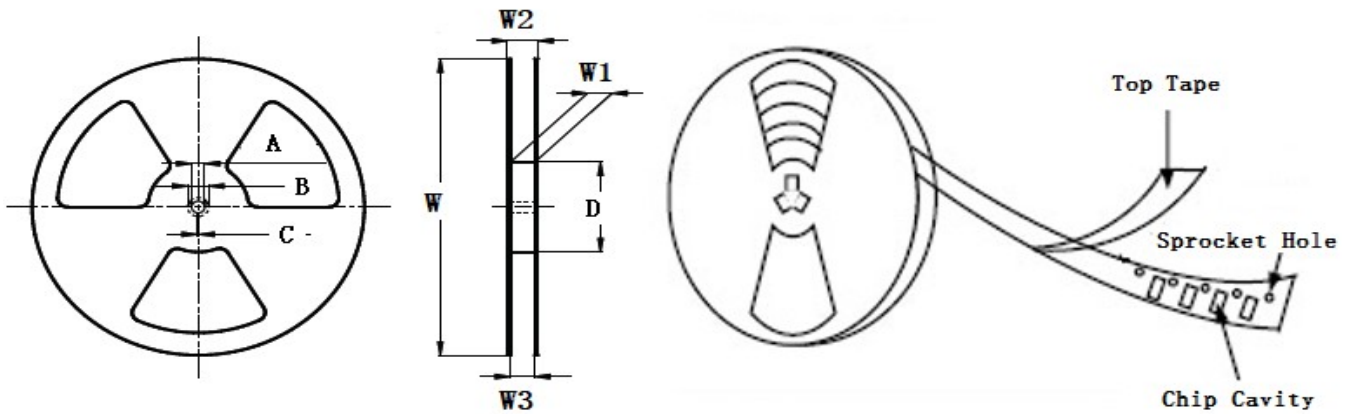
- ※ The saturation current value is the DC current value having inductance decrease down to 30%.(at 20°C)
- ※ The temperature rise current value is the DC current value having temperature increase up to 40°C. (at 20°C)
- ※ The rated current is the DC current value that satisfies both of current value saturation current value and temperature rise current value.

■ Taping Dimensions(Unit:mm)



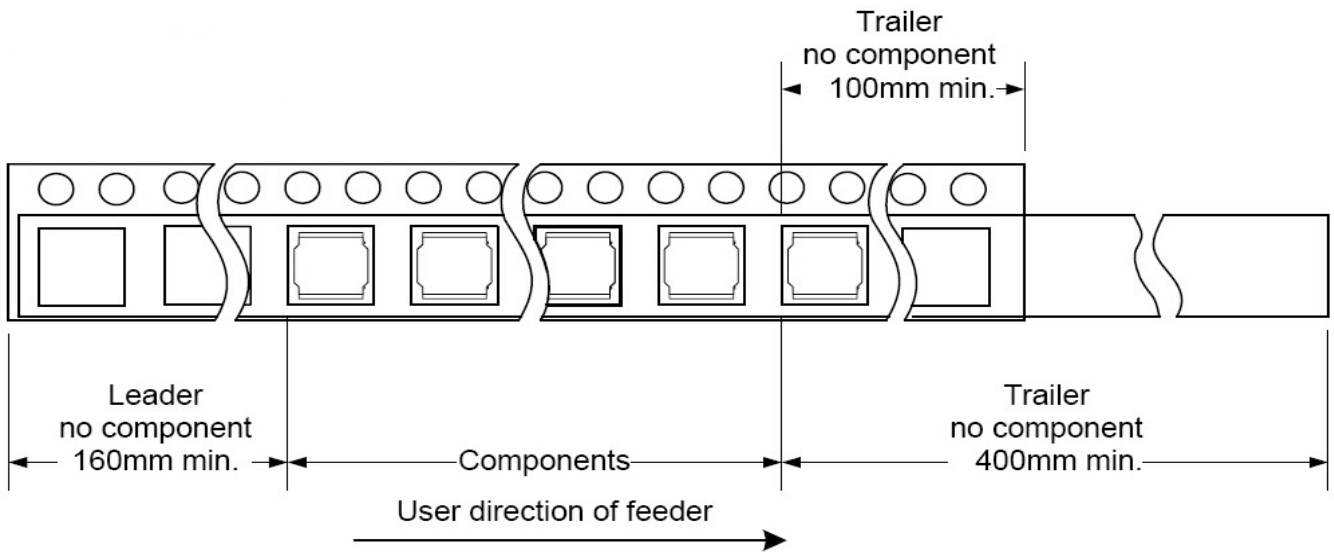
TYPE	W	A	B	C	D	E	P	K Ref	T	MPQ
YSPI1365	24±0.3	12.8±0.1	13.70±0.1	10.75	11.5±0.1	7.0±0.1	20±0.1	6.7	0.50±0.05	500

■ Reel Dimensions(Unit:mm)

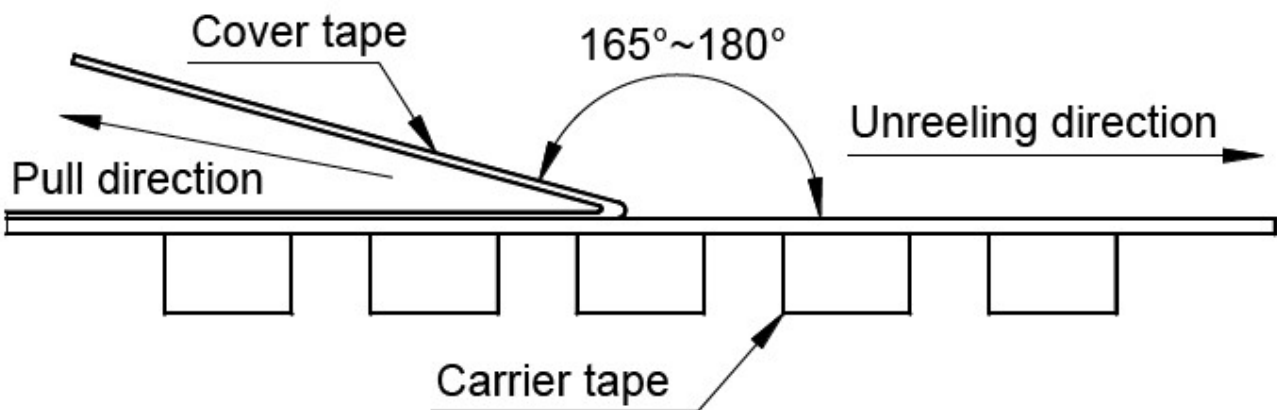


TYPE	W	W1	W2	W3	A	B	C	D
YSPI1365	330±2.0	24.4±1.5	30.4MAX	23.9 Min	13.0±0.50	21.0±0.80	2.0±0.50	100 Min

Direction of rolling



Cover tape peel off condition



Cover tape peel force shall be 0.1N to 1.3N.

Reference peel speed 300 ± 10 mm/min.