

MCM

FILE NO.

27-4215

REV.

DESCRIPTION

DRAWN / DATE

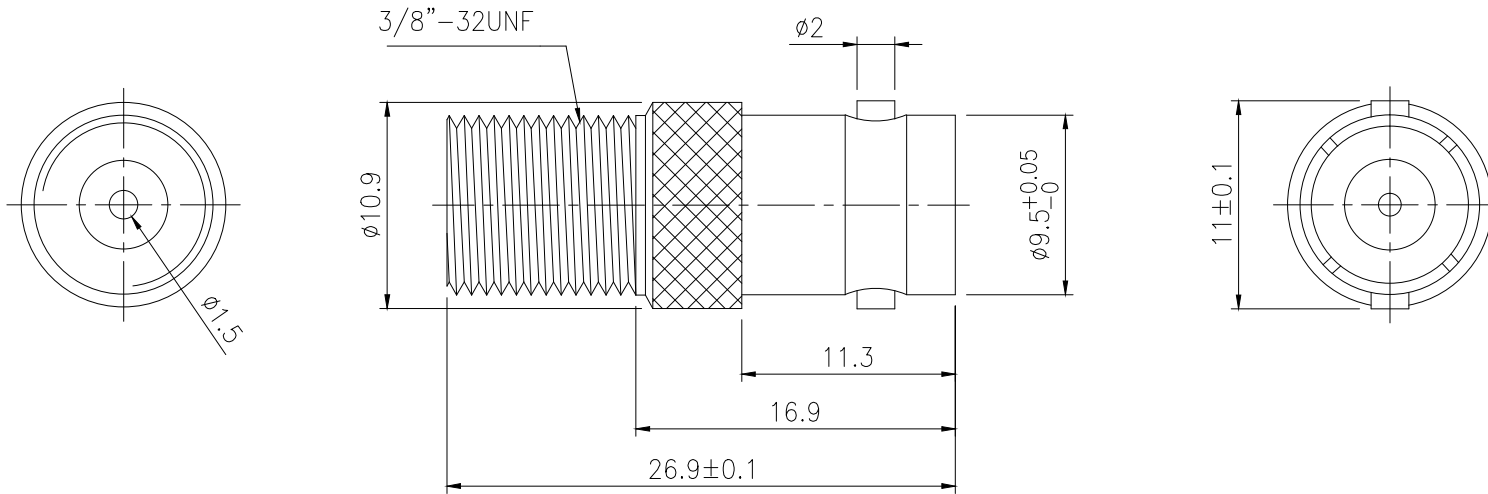
APPROVED / DATE

0

INITIAL RELEASE

YANG 10/15/2014

LISA 10/15/2014



[www.mcmelectronics.com](http://www.mcmelectronics.com)

DIMENSIONS ARE IN mm [INCH]		TOLERANCES ARE FRACTIONS DECIMALS ANGLES		MATERIAL	P/N			DRAWN YANG		DATE 10/15/2014	
MOLD NO.		.X ± 0.20 [0.008]		FINISH	PROJECT NO.						
		.XX ± 0.12 [0.005]		COLOR	SCALE 2.5:1			SIZE A4	SHEET 1	OF 1	MC068

BNC-Female to F-Female  
Adapter