

4

3

2

1

F

F

E

E

D

D

C

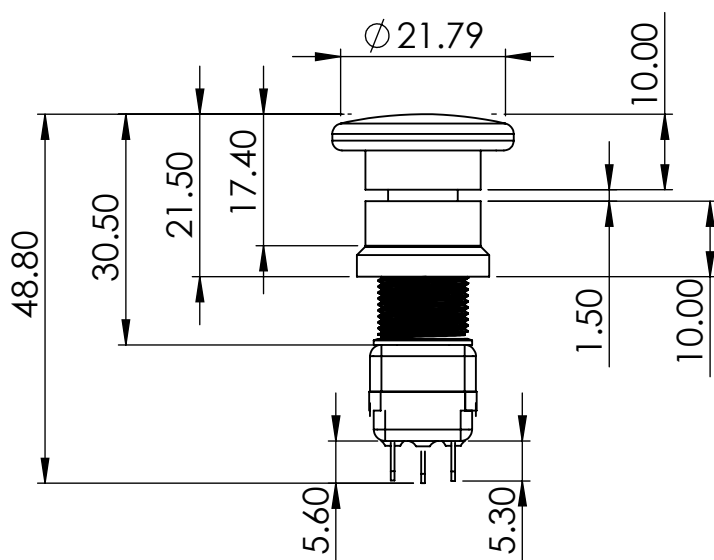
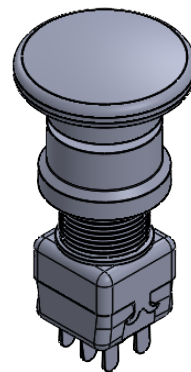
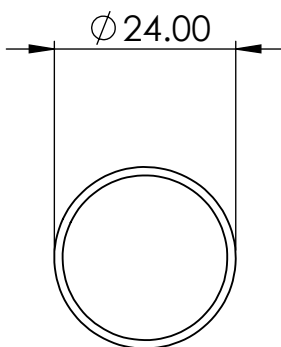
C

B

B

A

A



ALL DIMENSIONS IN MM
THIRD ANGLE PROJECTION
DO NOT SCALE DRAWING

TOLERANCES UNLESS OTHERWISE STATED:

1 DEC PLACE: ± 0.2

2 DEC PLACE: ± 0.1

3 DEC PLACE: ± 0.05

ANGULAR: ± 0.5 DEG

○ INSPECTION DIMENSION

△ CRITICAL DIMENSION

IF IN DOUBT, ASK ENGINEERING!

Part Number	Description
ASSY-03621	Plain Red push/pull switch - No Marking
ASSY-03622	Plain Black push/pull switch - No Marking
ASSY-03610	Red push/pull - Marked "EMERGENCY PULL"
ASSY-03611	Blue push/pull - Marked "CARDIAC PULL"
ASSY-03624	Plain Yellow push/pull - No Marking
ASSY-03625	Plain Green push/pull - No Marking
ASSY-03626	Plain Blue push/pull - No Marking

MATERIAL:

FINISH:

SEE TABLE

DRAWN: O.R

DATE: 10/11/2022

CHECK: C.N

DATE: 29/11/2022



APEM COMPONENTS LTD.

UNIT A, GOODS IN GATE A/B | MOORSIDE ROAD | WINCHESTER | SO23 7US | UK
TEL: +44 (0)1962 859306 FAX: +44 (0)1962 859304

TITLE:

PUSH/PULL SWITCH ASSEMBLY

DWG NO.

ASSY-036XX

A4

3488 01 FIRST ISSUE O.R 10/11/2022

COPYRIGHT © OF APEM COMPONENTS LTD.
Any unauthorised distribution or disclosure is strictly prohibited unless with permission of the author

PROJECT REF. #:

SCALE: 1:1 SHEET 1 OF 1

4

3

2

1