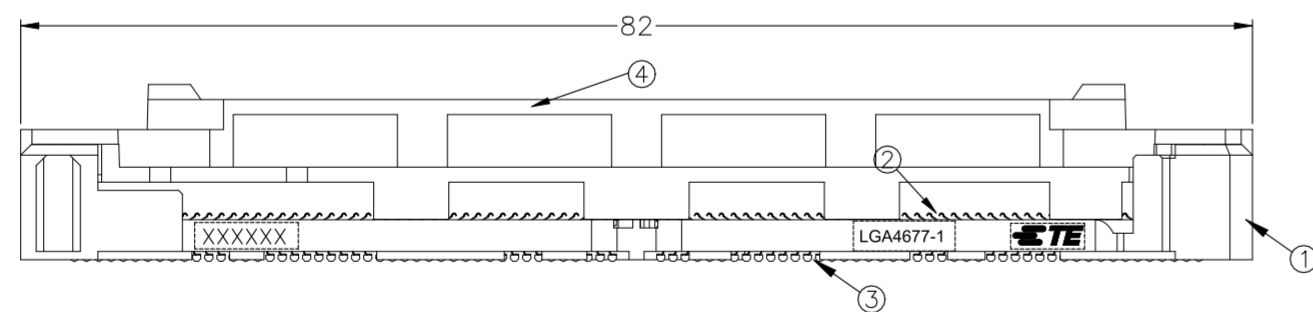
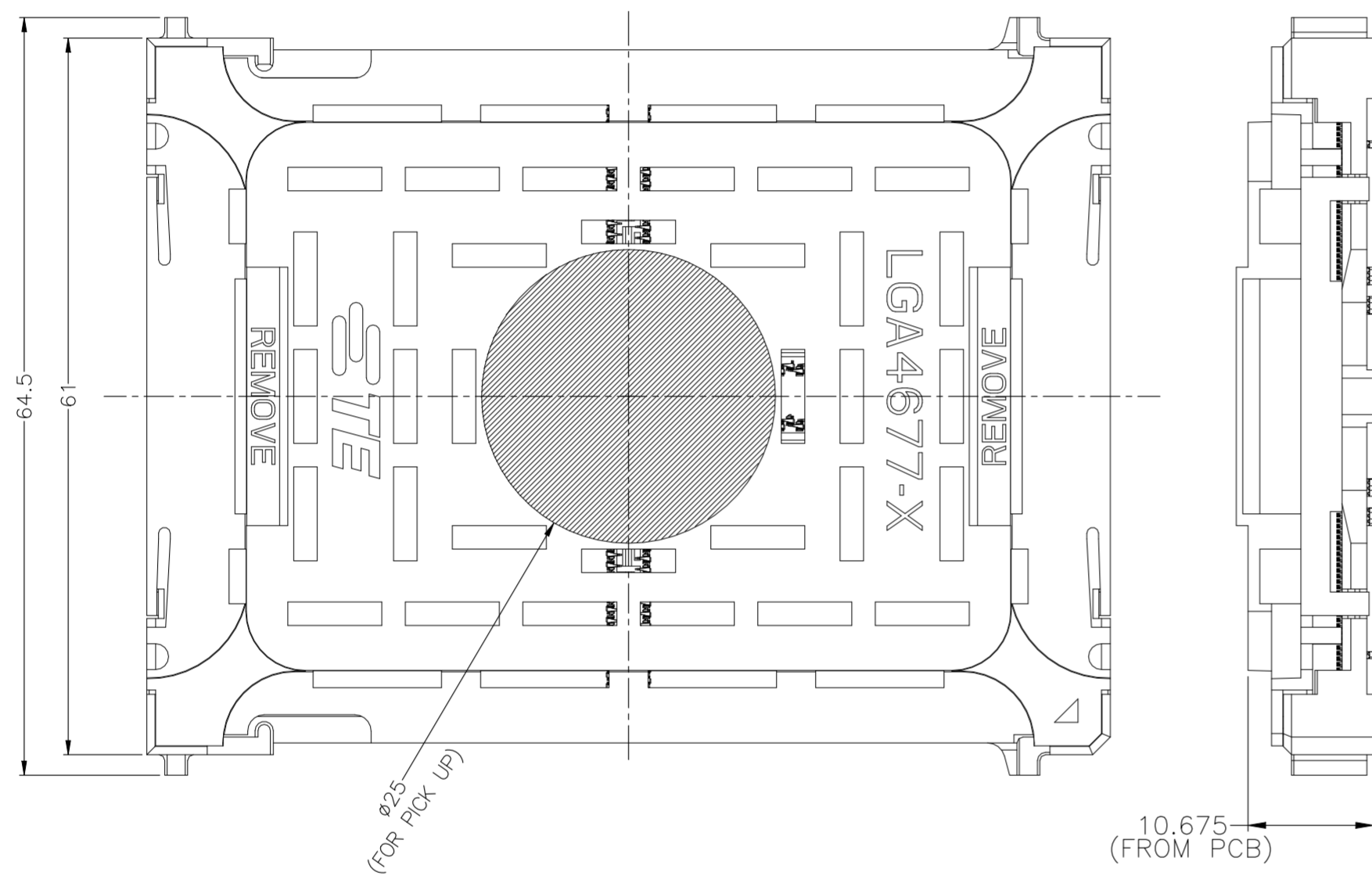


REVISIONS				
P	LTR	DESCRIPTION	DATE	APVD
A		INITIAL RELEASE	13SEP2022	B.L K.J

1. MATERIAL

- ① HOUSING : HIGH TEMP, THERMO-PLASTIC, UL94V-0, BLACK
- ② CONTACT : COPPER ALLOY
FINISH : Au PL. SHOW AS Δ AT CONTACT AREA
ON OVERALL OVER Ni UNDER PL. 1.27 um MIN.
- ③ SOLDER BALL : Sn/Ag/Cu
- ④ CAP : HIGH TEMP. THERMO-PLASTIC, UL94V-0, BLACK.

Δ INDICATED DATE CODE , TYCO LOGO, PRODUCT NAME ON THE HSG
 Δ TE RECOMMEND PAD SIZE,CUSTOMER CAN ADJUST BASE ON INTEL DOCUMENT.
 Δ THE DIMENSIONS FOR BACK PLATE SCREW HOLE.



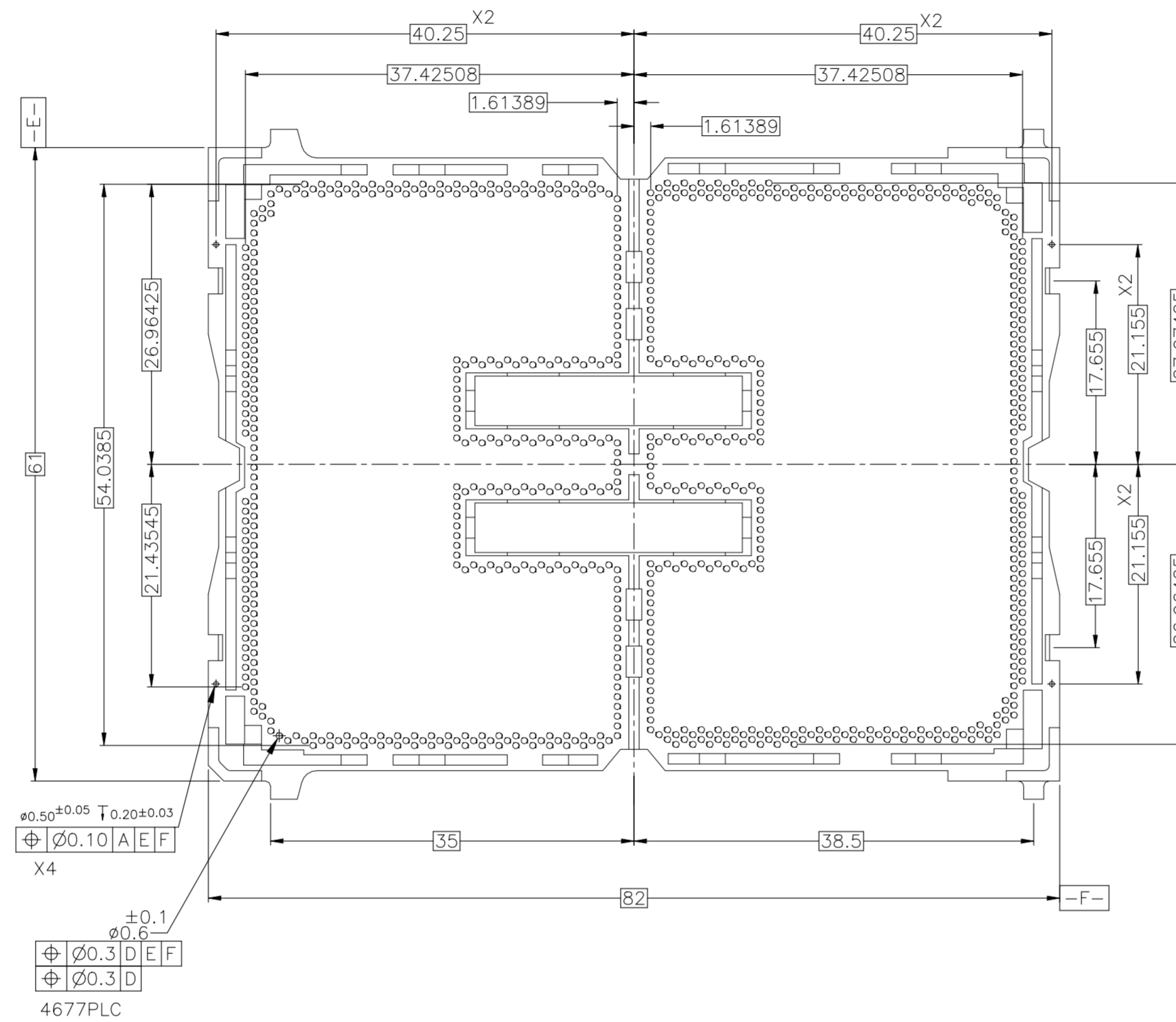
FOR DG1.0

SOCKET E1,LGA4677-1

0.762um Min Au	2-2347090-1
Δ GOLD PLATING	PACKAGE P/N

THIS DRAWING IS A CONTROLLED DOCUMENT.		DWN	14DEC2018	TE Connectivity Ltd.	
DIMENSIONS: mm		BILL LV	14DEC2018		
TOLERANCES UNLESS OTHERWISE SPECIFIED:		CHK	14DEC2018		
0-PLC ± 1-PLC ± ±0.3 2-PLC ± ±3 3-PLC ± ±3 4-PLC ± ± ANGLES ± -		APVD	14DEC2018		
MATERIAL		SIMON LI		NAME	
FINISH		PRODUCT SPEC		SOCKET E1 ASSY	
		APPLICATION SPEC		LGA4677-1	
		114-115032		SIZE	RESTRICTED TO
		WEIGHT 26.5g		A2	-
		CUSTOMER DRAWING		CAGE CODE	DRAWING NO
				00779	C=2347090
				SCALE	SHEET
				NTS	1 of 6
				REV	A

P	LTR	DESCRIPTION	DATE	DWN	APVD
-	-	SEE SHEET 1	-	-	-



VIEW W

4677PLC

THIS DRAWING IS A CONTROLLED DOCUMENT.		DWN	-		
DIMENSIONS: mm		CHK	-		
TOLERANCES UNLESS OTHERWISE SPECIFIED:		APVD	-		
<ul style="list-style-type: none"> 0 - PLC ± 1 - PLC ± ±0.3 2 - PLC ± ±3 3 - PLC ± 4 - PLC ± ANGLES ± - 		PRODUCT SPEC	-		
MATERIAL		APPLICATION SPEC	-		
FINISH		WEIGHT	-		
		CUSTOMER DRAWING	SCALE	SHEET	REV
			NTS	3 of 6	A
		NAME		RESTRICTED TO	
		SOCKET E1 ASSY LGA4677-1		-	
		SIZE	CAGE CODE	DRAWING NO	
		A2	00779	C=2347090	

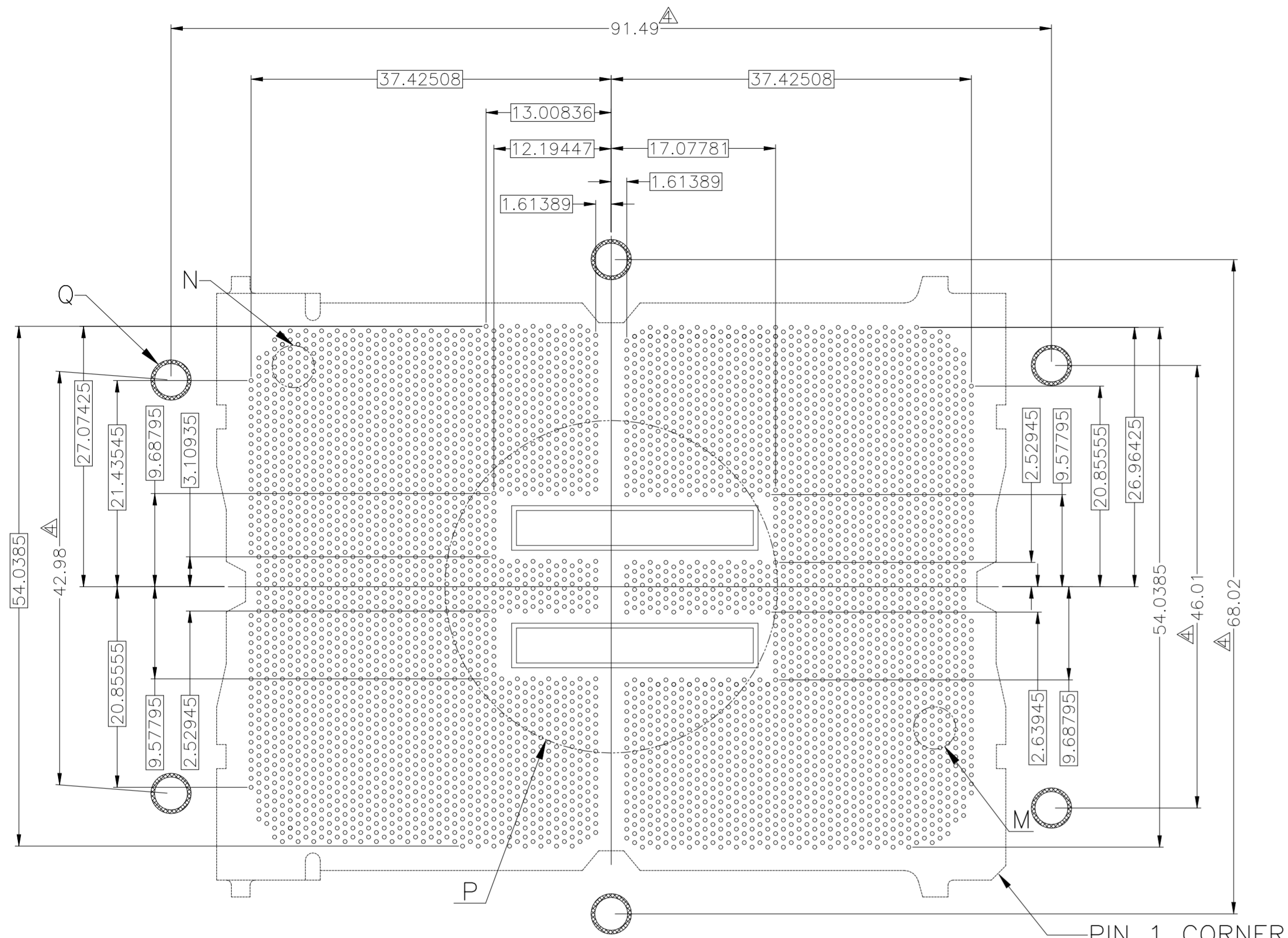


SOCKET E1 ASSY
LGA4677-1

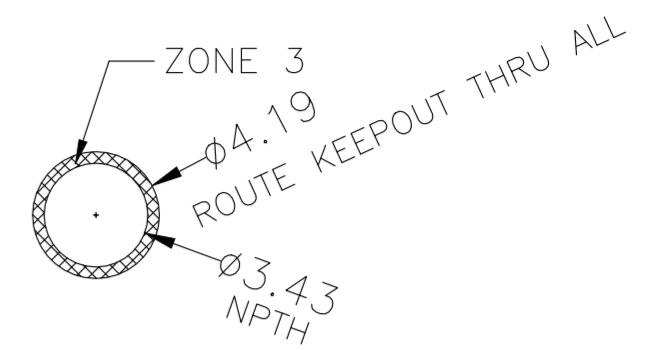
SIZE: A2, CAGE CODE: 00779, DRAWING NO: C=2347090, RESTRICTED TO: -

SCALE: NTS, SHEET: 3 of 6, REV: A

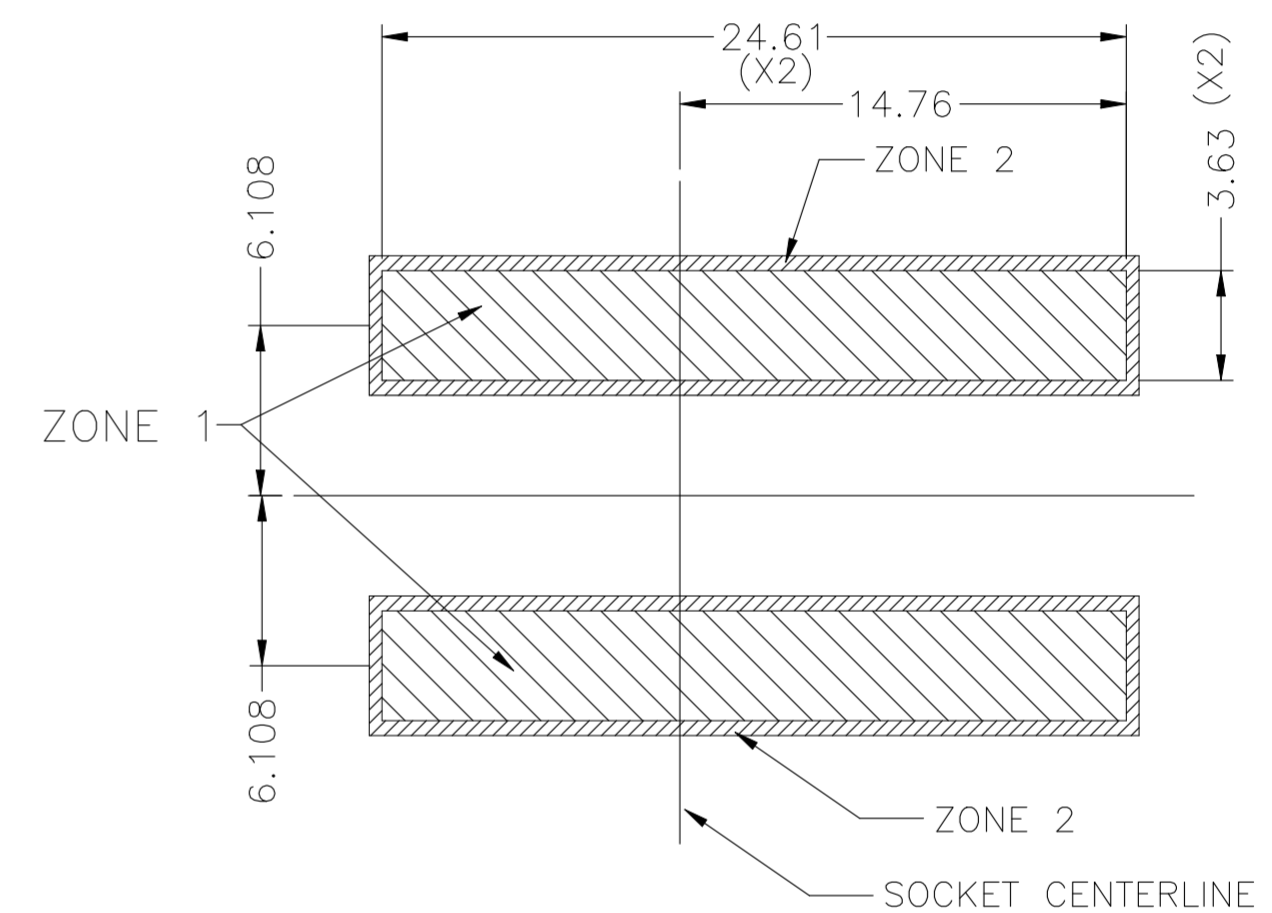
REVISIONS					
P	LTR	DESCRIPTION	DATE	DWN	APVD
-	-	SEE SHEET 1	-	-	-



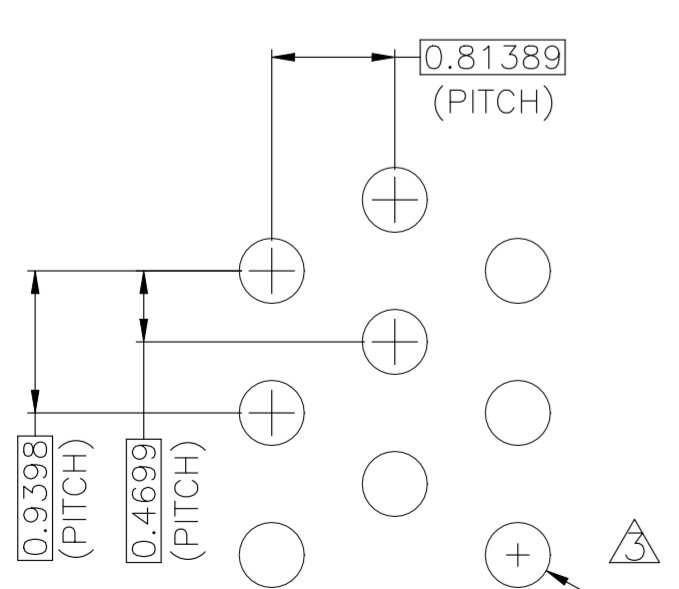
BALL SIDE BOARD LAND PATTERN



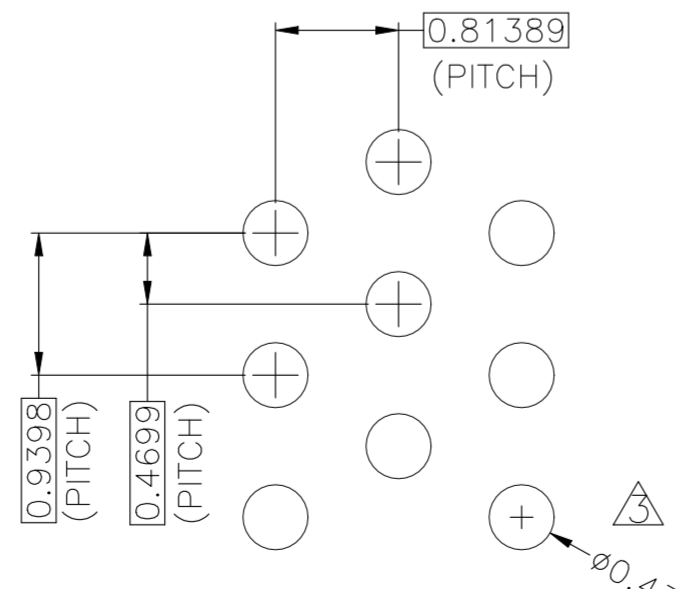
DETAIL Q (X6)



DETAIL P



DETAIL N(20:1)



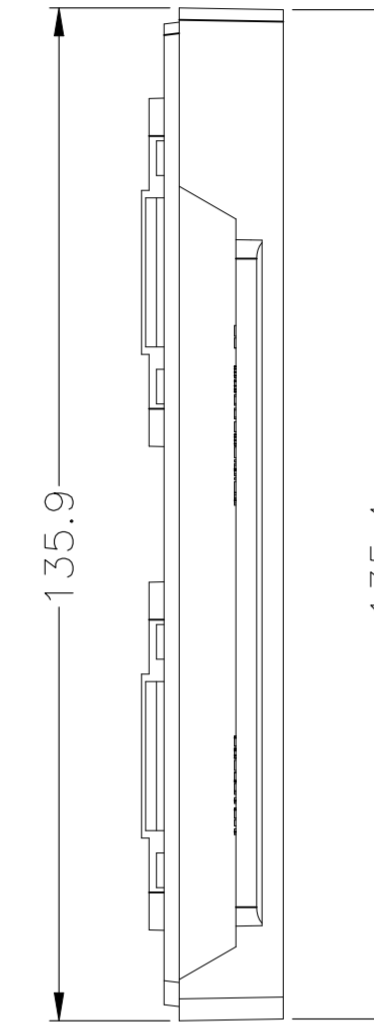
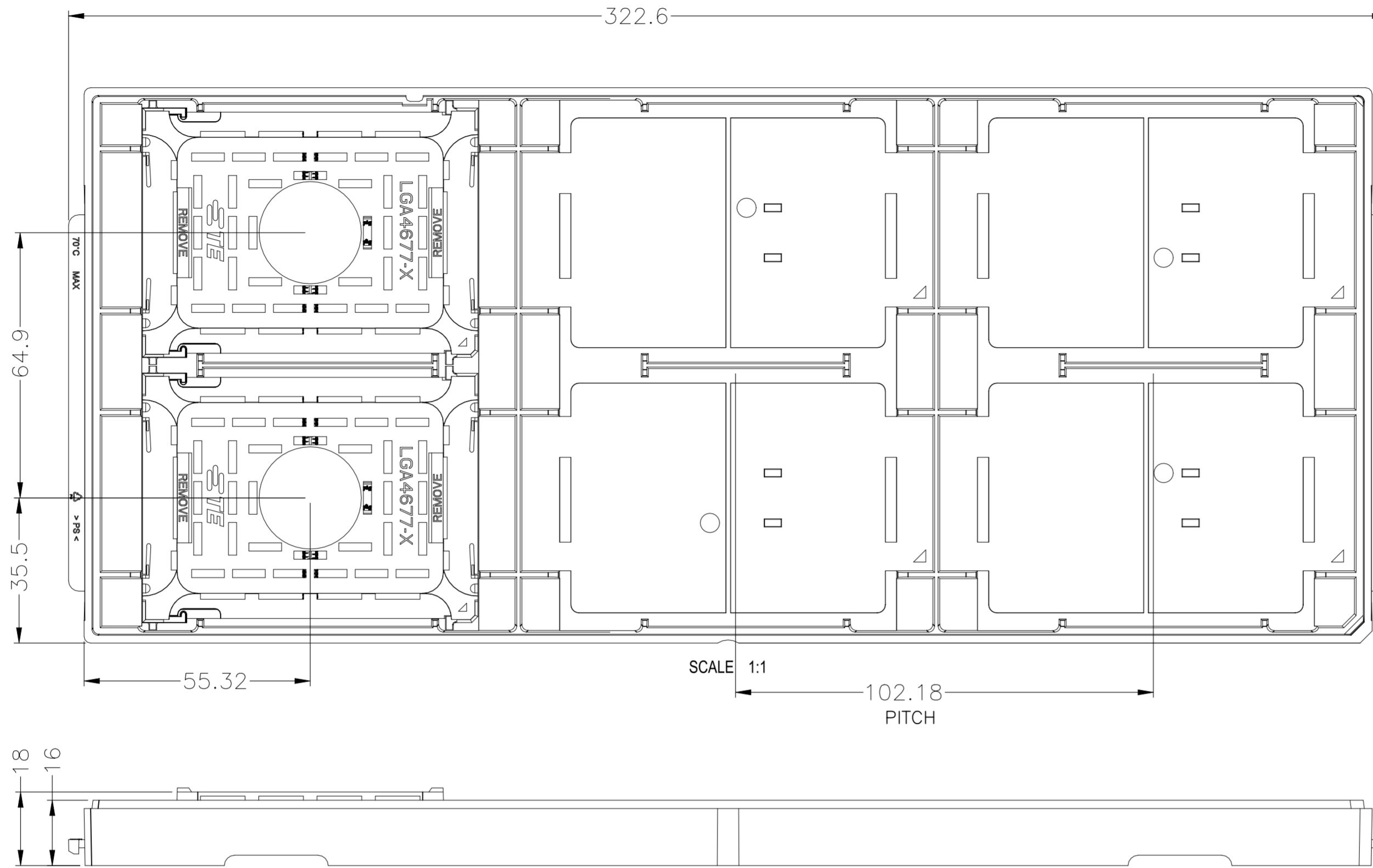
DETAIL M(20:1)

KOZ LEGEND FOR REFERENCE:

	ZONE 3: NO ROUTE ZONE, THOUGH ALL LAYERS
	ZONE 2: SOCKET CAVITY TO SOCKET ZONE. NO COMPONENT PLACEMENT ALLOWED 0.0mm HEIGHT RESTRICTION.
	ZONE 1: SOCKET CAVITY 1.222mm HEIGHT RESTRICTION.

THIS DRAWING IS A CONTROLLED DOCUMENT.		DWN	-		
DIMENSIONS: mm		CHK	-		
TOLERANCES UNLESS OTHERWISE SPECIFIED:		APVD	-		
0-PLC ± 1-PLC ± ±0.3 2-PLC ± ±3 3-PLC ± ± 4-PLC ± ± ANGLES ± ± FINISH -		NAME	TE Connectivity Ltd.		
MATERIAL -		PRODUCT SPEC	SOCKET E1 ASSY LGA4677-1		
FINISH -		APPLICATION SPEC	SIZE	CAGE CODE	DRAWING NO
		WEIGHT	A2	00779	C=2347090
CUSTOMER DRAWING		SCALE	NTS	SHEET	5 of 6
		REV	A		

REVISIONS					
P	LTR	DESCRIPTION	DATE	DWN	APVD
-	-	SEE SHEET 1	-	-	-



SOCKET E1 HARD TRAY

96	6	2-2347090-1	SOCKET E1 LGA4677-1 0.762um Au
SOCKET QTY PER BOX	SOCKET QTY PER TRAY	ORDER PART NUMBER	PRODUCT NAME

THIS DRAWING IS A CONTROLLED DOCUMENT.		DWN	TE Connectivity Ltd.	
DIMENSIONS: mm		CHK	NAME	
TOLERANCES UNLESS OTHERWISE SPECIFIED:		APVD	SOCKET E1 ASSY LGA4677-1	
0-PLC ±		PRODUCT SPEC	SIZE	CAGE CODE
1-PLC ± ±0.5		APPLICATION SPEC	A2	00779
2-PLC ± ±3.5		WEIGHT	DRAWING NO	
3-PLC ±		CUSTOMER DRAWING	C=2347090	
4-PLC ±		SCALE	NTS	SHEET
ANGLES ±		SCALE	NTS	6 of 6
FINISH		REV	A	