

mat'l. code	-	surface	tolerance	projection	product family
itr	ecn no	dr	date	ASME Y14.5	PCI EXPRESS
				tolerances unless otherwise specified	MINI_PCIE
		angles	±2°	MM	4.0MM_HEIGHT
		dr	WINSTON_ZHU	scale N/A	dwg no
		engr	ZHENHUA_LIU		10150657
		chr	2020-05-12		sheet 1 of 5
		appd	HEAVEN_CEN		A4
sheet index	revision	sheet	A		CUSTOMER Drawing

NOTES:

1. MATERIAL:
HOUSING: HIGH TEMPERATURE PLASTIC, UL94 V-0, BLACK COLOR,
CONTACTS: COPPER ALLOY
PEGS: COPPER ALLOY

2. FINISH:
CONTACTS: SELECTED GOLD PLATING ON THE CONTACT AREA,
1u" . GOLD PLATING ON THE SOLDERTAILS,
50u" . NICKEL UNDERPLATING OVER ALL.
PEGS: 120u" . MATTE-TIN OVER 50u" MIN. NICKEL.

3. CARD THICKNESS APPLIES ACROSS TABS AND INCLUDES PLATING AND/OR METALLIZATION.
4. EDGE BEVEL MUST BE PRESENT AND FREE OF CUTTING BURRS FROM PCB AND CONTACT MATERIALS.
5. THE HOUSING WILL WITHSTAND EXPOSURE TO 260°C PEAK TEMPERATURE FOR 10 SECONDS IN RE-FLOW APPLICATION.
6. PRODUCT SPECIFICATION:GS-12-1513

PRODUCT NUMBER CODE

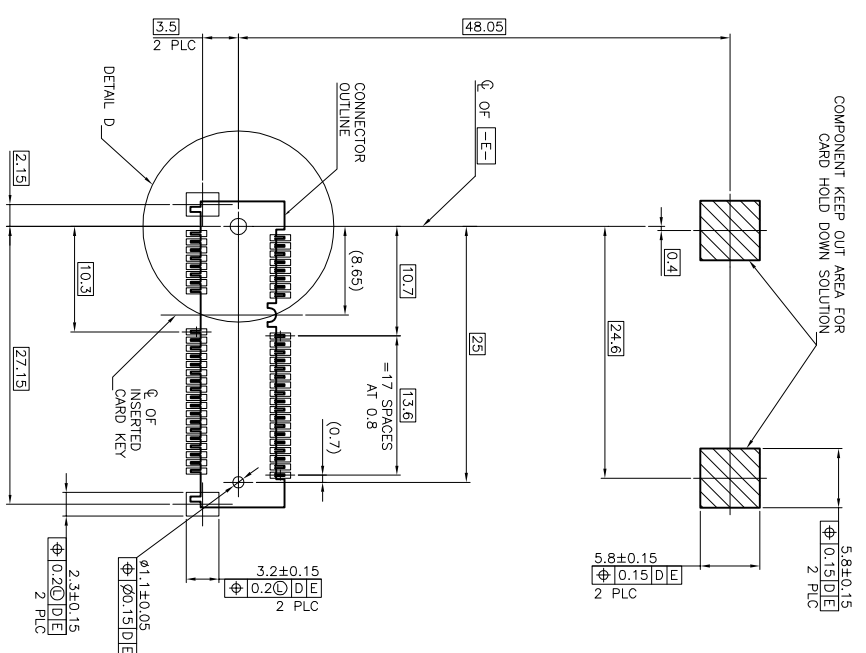
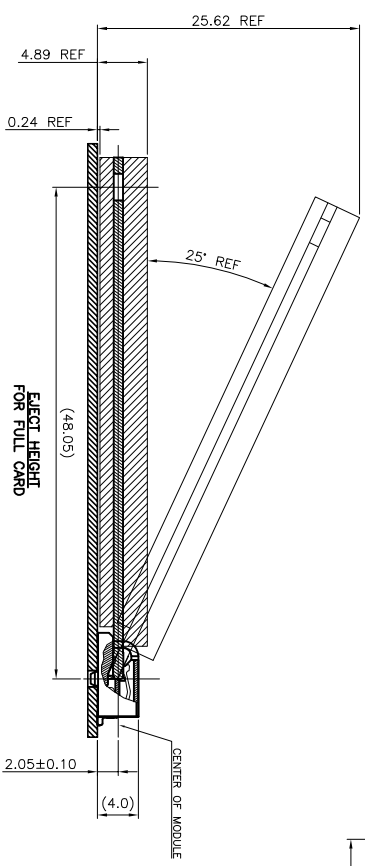
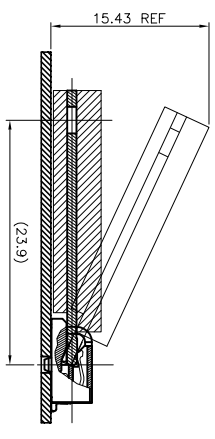
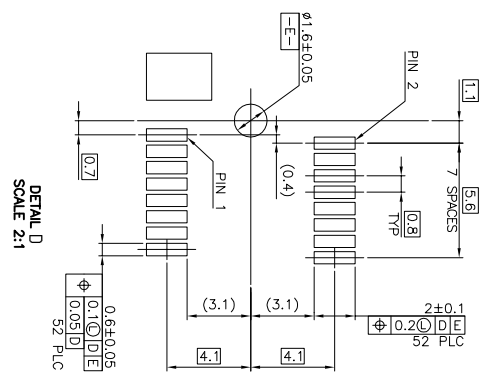
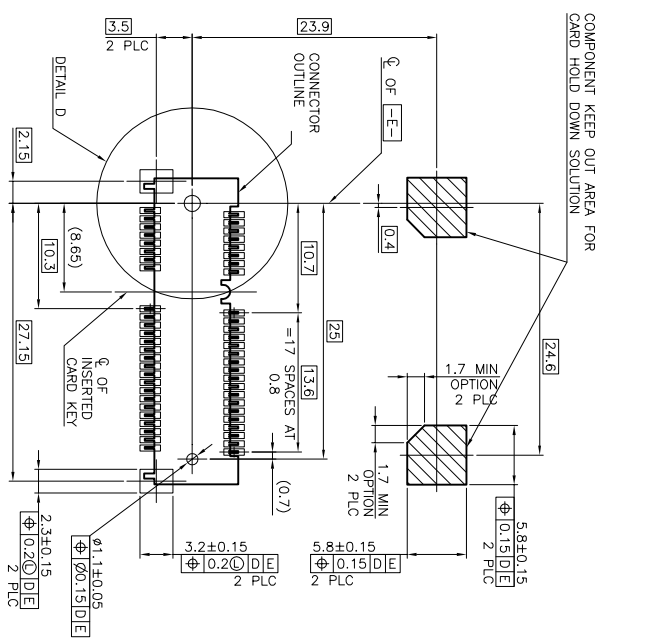
10150657 - 052 R X LF

52 CONTACTS — LEAD FREE

PACKING OPTIONS — CONTACT AREA PLATING
R: TAPE & REEL

0: 30u" GOLD
1: 10u" GOLD
2: GOLD FLASH

mat'l. code	-		surface	tolerance	projection	product family
lfr	ecdn no	dr	date	ASME Y14.5	MM	PCI_EXPRESS
				tolerances unless otherwise specified		MINI_PCIE
				angles	scale N/A	4.0MM_HEIGHT
				±2°		sheet 2 of 5
				.000±0.10		size
				DR WINSTON_ZHU 2020-05-12		A4
				ENGR ZHENHUA_LIU 2020-05-12		
				chr		
				DRPPD HEAVEN_CEN 2020-05-12		
sheet	revision					
index	sheet	A				



IS THE TOP SURFACE OF PCB.

RECOMMENDED P.C. BOARD PATTERN LAYOUT FOR FULL CARD CONNECTOR (TOP VIEW)

mat'l. code	surface	tolerance	projection	product family	title
itr	ecp no	dr	date	ASME_Y14.5	PCI_EXPRESS
				tolerances unless otherwise specified	MINI_PCIE
				angles	4.0MM_HEIGHT
				±2°	scale N/A
				.00±0.20	
				.000±0.10	
	dr	WINSTON_ZHU	2020-05-12		
	engr	ZHENHUA_LIU	2020-05-12		
	chr				
	dppd	HEAVEN_CEN	2020-05-12		
sheet	revision	A			Amphenol FCi
index	sheet				10150657
					CUSTOMER Drawing

B

A

B

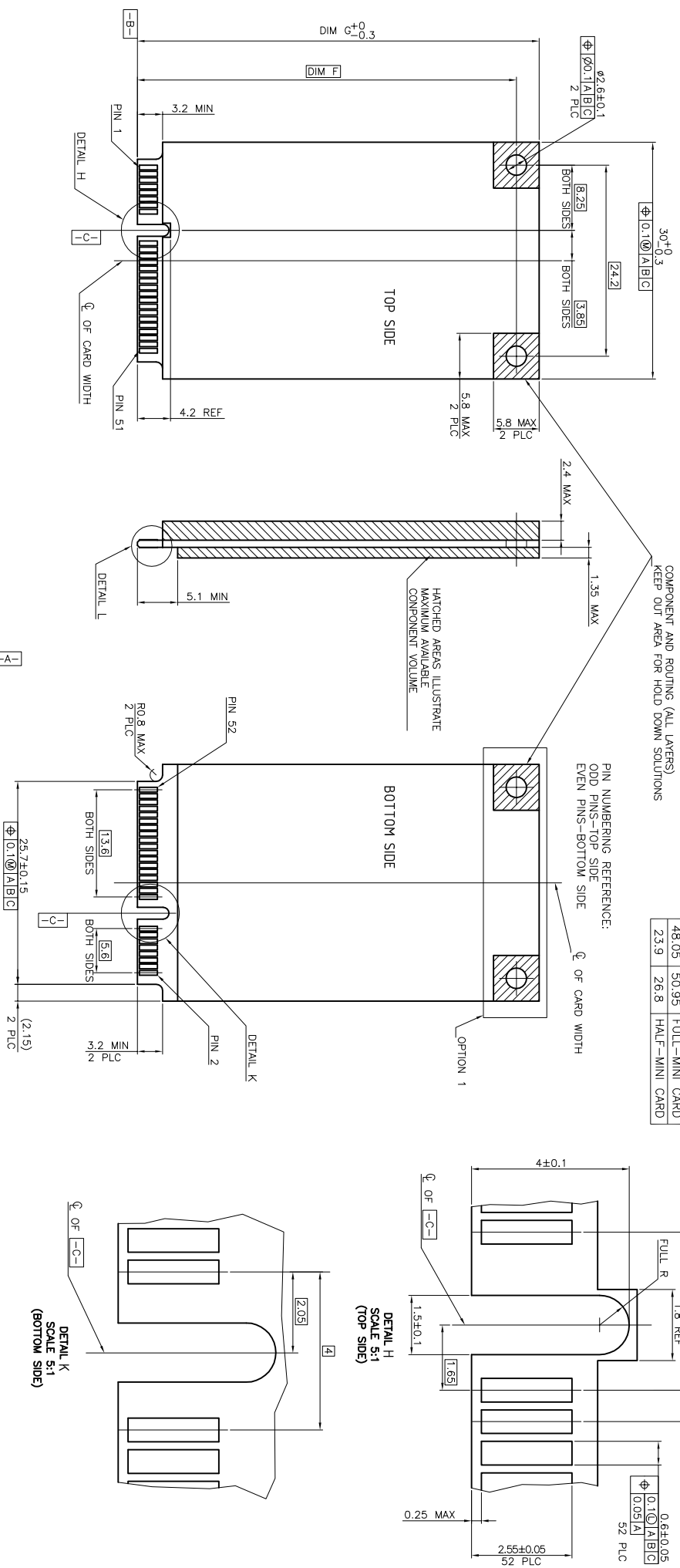
A

5

COMPONENT AND ROUTING (ALL LAYERS)
KEEP OUT AREA FOR HOLD DOWN SOLUTIONS

DIM F	DIM G
48.05	50.95
23.9	26.8
	HALF-MINI CARD

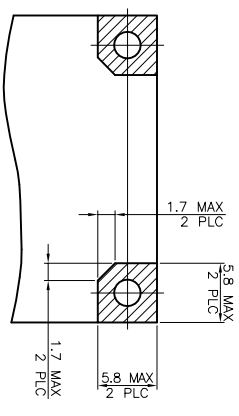
PIN NUMBERING REFERENCE:
ODD PINS-TOP SIDE
EVEN PINS-BOTTOM SIDE



FOR PCI EXPRESS MINI CARD

mat'l. code	surface	tolerance	projection	product family
itr	edn no	dr	date	PCI EXPRESS
tolerances unless otherwise specified ASME Y14.5 angles $\pm 2^\circ$.00±0.20 .000±0.10 scale N/A				MINI_PCIE 4.0MM_HEIGHT sheet 4 of 5 size A4
sheet index	revision	A	dwg no	10150657
			customer drawing	

OPTION 1
FOR HALF-MINI CARD
(TOP & BOTTOM SIDE)

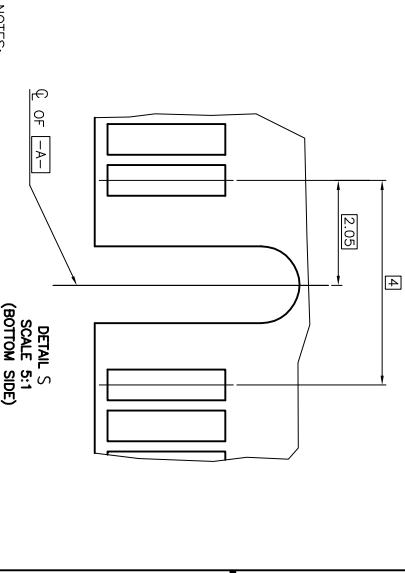
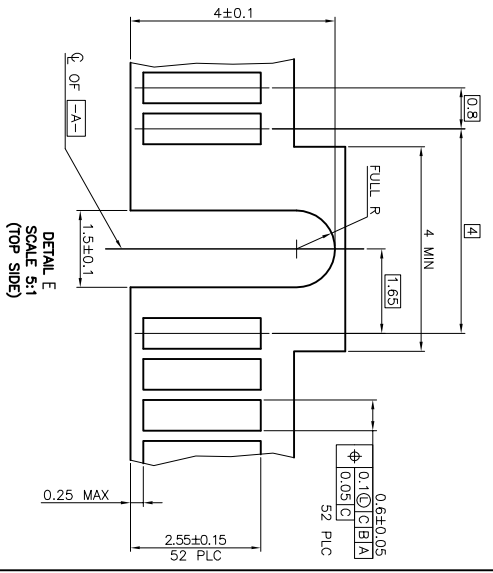
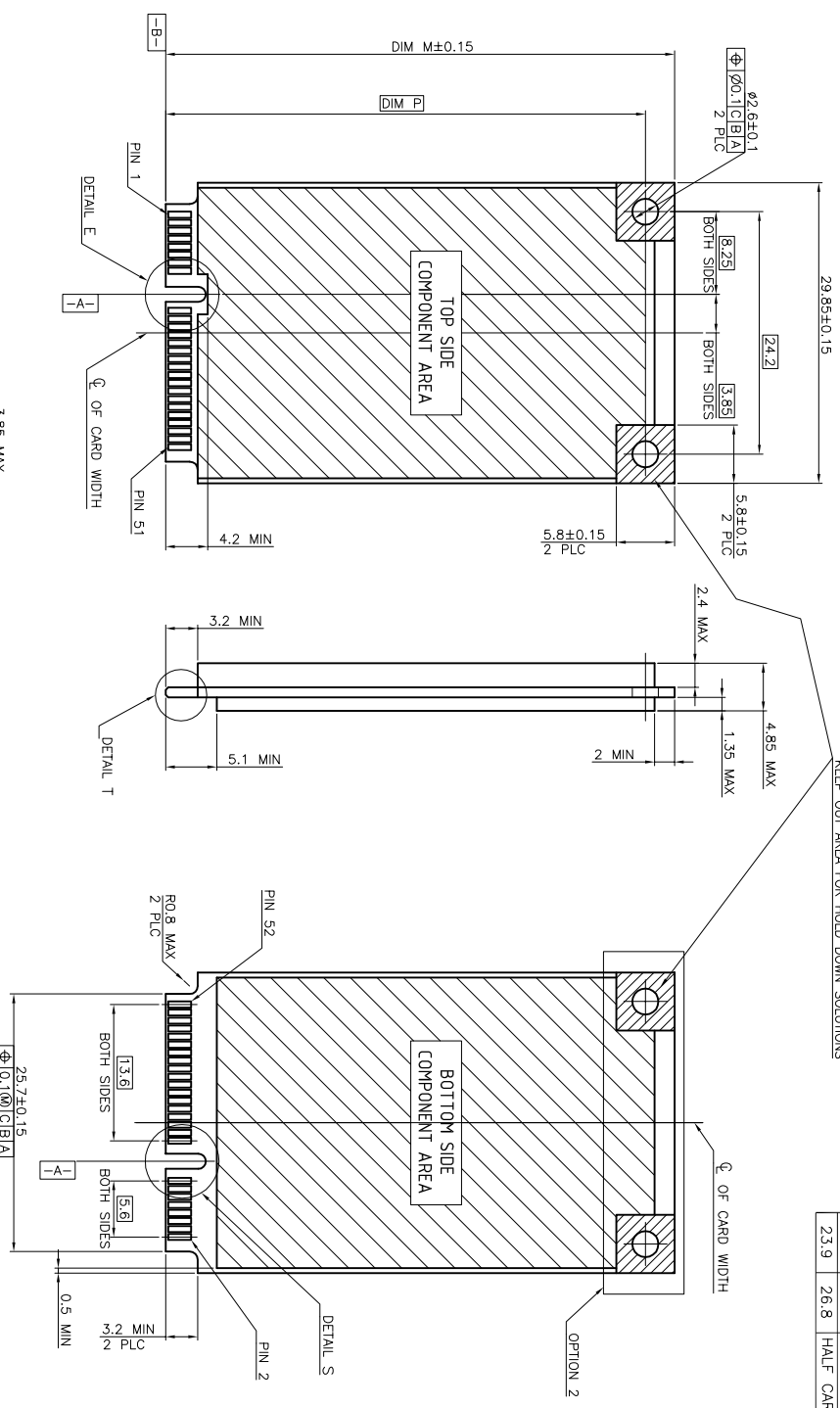


DETAIL L
SCALE 5:1

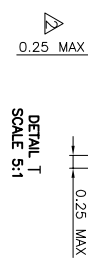
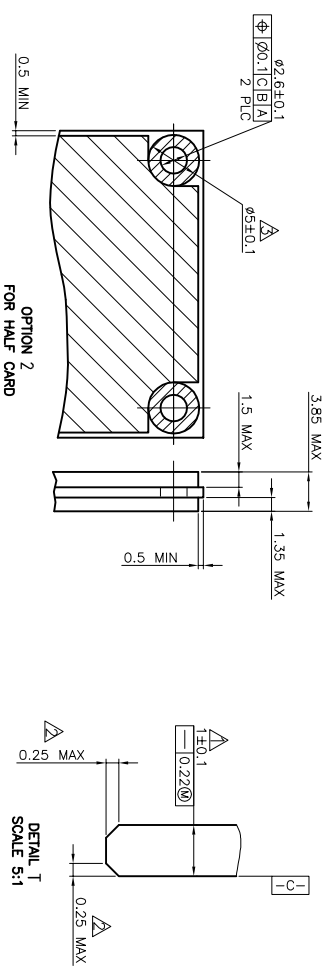
DETAIL K
SCALE 5:1
(BOTTOM SIDE)

COMPONENT AND ROUTING (ALL LAYERS)
KEEP OUT AREA FOR HOLD DOWN SOLUTIONS

DIM P	DIM M	
48.05	50.8	FULL CARD
23.9	26.8	HALF CARD



FOR MSATA



NOTES:

- ▲ CARD THICKNESS APPLIES ACROSS TABS AND INCLUDES PLATING AND/OR METALLIZATION.
- ▲ EDGE BEVEL MUST BE PRESENT AND FREE OF CUTTING BURRS FROM PCB AND CONTACT MATERIALS.
- ▲ COMPONENT AND ROUTING (TOP/BOTTOM LAYER) KEEP OUT AREA FOR HOLD DOWN SOLUTIONS.

mat'l. code	surface	tolerance	projection	product family	title
1tr	ASME Y14.5	ASME Y14.5	MM	PCI EXPRESS	MINI_PCIE
ecn no	tolerances unless otherwise specified	±0.30	MM		4.0MM_HEIGHT
dr	angles	±2°	MM		sheet 5 of 5
date	±0.20	.000±0.10	MM		A4
	±2°		MM		
	dr	WINSTON_ZHU	2020-05-12		
	eng	ZHENHUA_LIU	2020-05-12		
	chr	HEAVEN_CEN	2020-05-12		
	ppd				
sheet index	revision	A			
sheet	sheet				

Amphenol
FCI

10150657

CUSTOMER Drawing