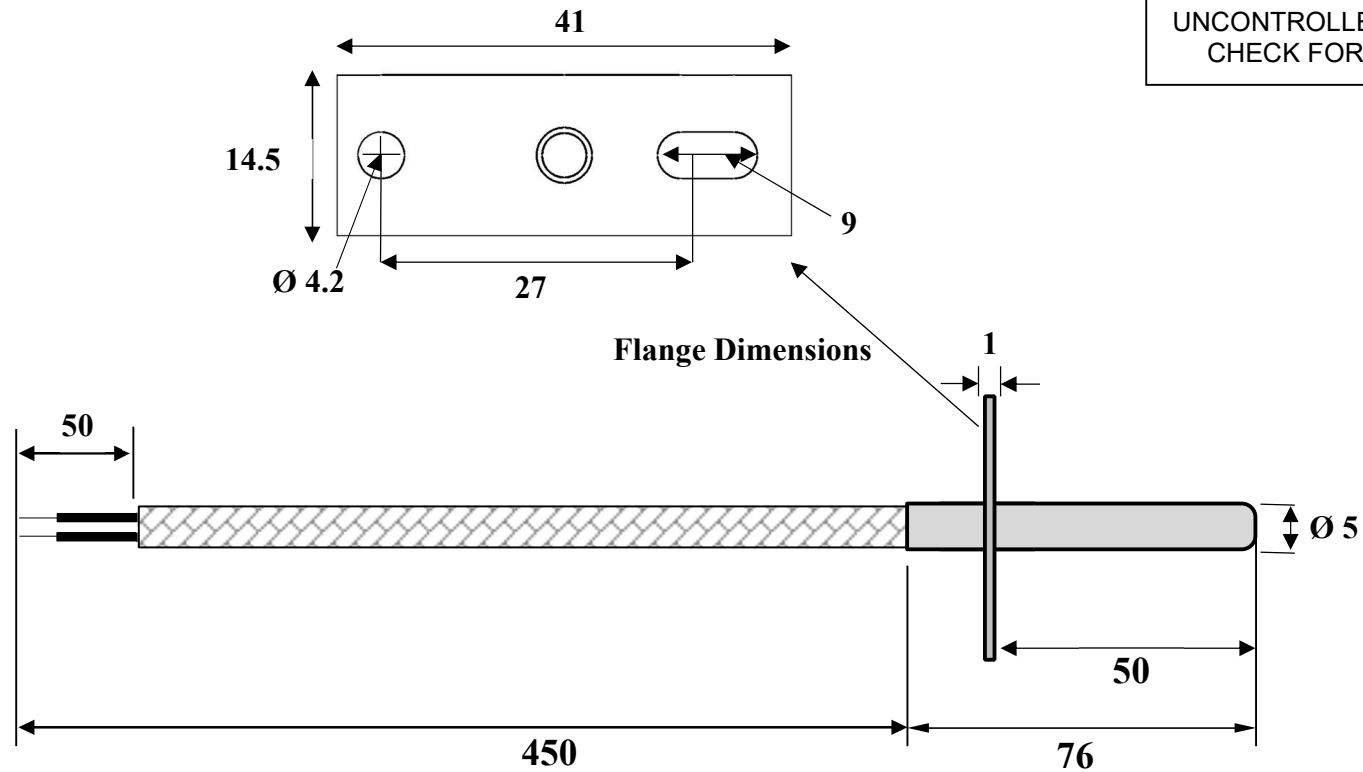


UNCONTROLLED COPY, PLEASE
CHECK FOR LATEST ISSUE



Probe Specification / Materials:

Sensor Assembly: Insertion Sensor with Flange
 RTD Element: Heraeus Pt1000 B
 Class Accuracy: F0.3 (B) Accuracy
 Lead-wires: 2 wire, 450mm long Fibreglass, St/St Overbraid
 Sensor: 5mm dia. x 50mm, 316 St/St Housing
 Flange: 14.5 x 41mm, Holes 27mm Centres (minimum)
 Temperature Range: -50°C to +550°C

ALL DIMENSIONS IN MILLIMETRES



Unit 14 Cosgrove Business Park | Anderton | Northwich | Cheshire | CW9 6FY | UK
 www.atcsemitec.co.uk

REV	DATE	DETAILS