

Surge protection device - MT-RS485 - 2762265

Please be informed that the data shown in this PDF Document is generated from our Online Catalog. Please find the complete data in the user's documentation. Our General Terms of Use for Downloads are valid (<http://phoenixcontact.com/download>)




Rail-mountable module with surge voltage coarse and fine protection for RS-485 interface, for mounting on NS 35/7.5, housing width: 50 mm

The illustration shows version MT-RS485/S

Why buy this product



Key commercial data

Packing unit	5 pc
GTIN	 4 017918 064945
Weight per Piece (excluding packing)	101.95 g
Custom tariff number	85363010
Country of origin	Germany

Technical data

Dimensions

Height	77.5 mm
Width	47.6 mm
Depth	54.9 mm

Ambient conditions

Ambient temperature (operation)	-40 °C ... 60 °C
Degree of protection	IP20

General

Color	black
Mounting type	DIN rail: 35 mm
Type	Rail-mountable module, one-piece
Direction of action	Line-Line & Line-Signal Ground/Shield & Signal Ground/Shield-Earth Ground

Surge protection device - MT-RS485 - 2762265

Technical data

Protective circuit

IEC test classification	C2
	C3
	D1
VDE requirement class	C2
	C3
	D1
Maximum continuous voltage U_C (wire-ground)	12 V DC
Nominal current I_N	450 mA (25 °C)
Operating effective current I_C at U_C	$\leq 10 \mu A$
Nominal discharge current I_n (8/20) μs (Core-Core)	10 kA
Nominal discharge current I_n (8/20) μs (Core-Earth)	10 kA
Impulse discharge current (10/350) μs , peak value I_{imp}	500 A
Output voltage limitation at 1 kV/ μs (Core-Core) spike	$\leq 22 V$
Output voltage limitation at 1 kV/ μs (Core-Earth) spike	$\leq 600 V$
Output voltage limitation at 1 kV/ μs (Core-Core) static	$\leq 22 V$
Output voltage limitation at 1 kV/ μs (Core-Earth) static	$\leq 600 V$
Output voltage limitation at 1 kV/ μs (Core-GND) static	$\leq 22 V$
Residual voltage at I_n , (conductor-conductor)	$\leq 19 V$
Residual voltage at I_n , (conductor-GND)	$\leq 19 V$
Voltage protection level U_p (core-core)	$\leq 22 V$
Voltage protection level U_p (core-ground)	$\leq 600 V$
Voltage protection level U_p (core-GND)	$\leq 22 V$
Response time t_A (Core-Core)	1 ns
Response time t_A (Core-Earth)	$\leq 1 ns$
	$\leq 100 ns$
	$\leq 0.1 dB$ (Up to 10 kHz)
Input attenuation a_E , asym.	0.8 dB (up to 0.1 MHz 50 Ω system)
	0.1 dB (up to 10 kHz 600 Ω system)
Cut-off frequency f_g (3 dB), asym. (GND) in 50 Ohm system	1.3 MHz
Cut-off frequency f_g (3 dB), asym. (GND) in 600 Ohm system	130 kHz
Resistance in series	4.4 Ω

Connection data

Connection method	Screw connection
Connection type IN	Screw terminal blocks
Connection type OUT	Screw terminal blocks
Screw thread	M3
Stripping length	8 mm
Conductor cross section flexible min.	0.2 mm ²
Conductor cross section flexible max.	2.5 mm ²
Conductor cross section solid min.	0.2 mm ²

Surge protection device - MT-RS485 - 2762265

Technical data

Connection data

Conductor cross section solid max.	4 mm ²
Conductor cross section AWG min.	24
Conductor cross section AWG max.	12

Standards and Regulations

Standards/regulations	IEC 61643-21
-----------------------	--------------

Classifications

eCl@ss

eCl@ss 4.0	27140201
eCl@ss 4.1	27130801
eCl@ss 5.0	27130801
eCl@ss 5.1	27130801
eCl@ss 6.0	27130807
eCl@ss 7.0	27130807
eCl@ss 8.0	27130807

ETIM

ETIM 2.0	EC000943
ETIM 3.0	EC000943
ETIM 4.0	EC000943
ETIM 5.0	EC000943

UNSPSC

UNSPSC 6.01	30212010
UNSPSC 7.0901	39121610
UNSPSC 11	39121610
UNSPSC 12.01	39121610
UNSPSC 13.2	39121620

Approvals

Approvals

Approvals

EAC / EAC

Ex Approvals

Surge protection device - MT-RS485 - 2762265

Approvals

Approvals submitted

Approval details

EAC

EAC

Accessories

Additional products

Shield connection - SSA 3-6 - 2839295



shield fast connections for conductor diameter 3 - 6 mm. Potential connection cable: 200 mm, black

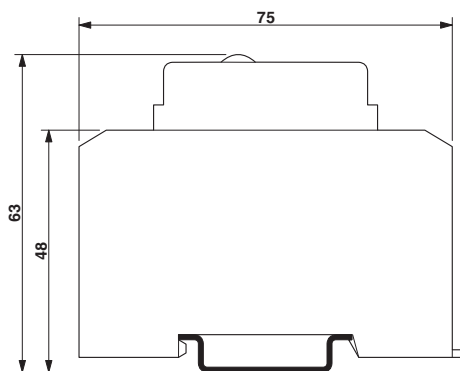
Shield connection - SSA 5-10 - 2839512



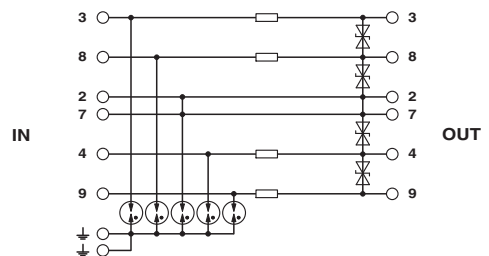
Shield fast connection for conductor diameters 5 - 10 mm. Potential connection cable: 200 mm, black

Drawings

Dimensional drawing

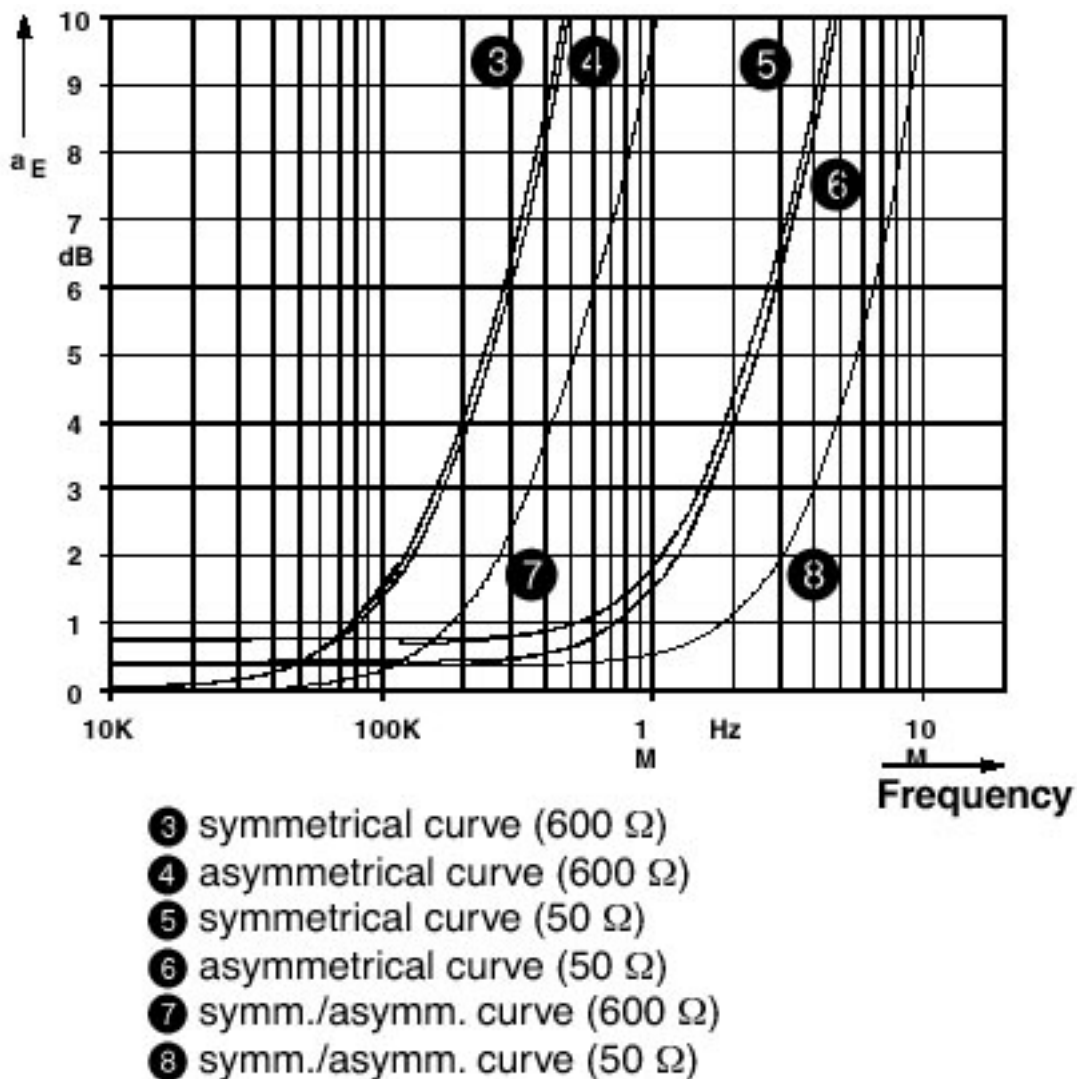


Circuit diagram



Surge protection device - MT-RS485 - 2762265

Diagram



Characteristic attenuation curve