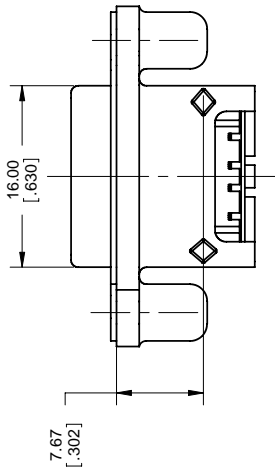
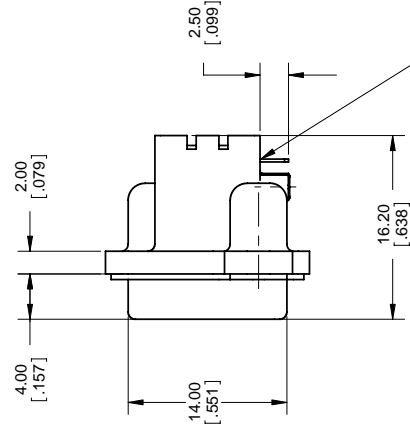
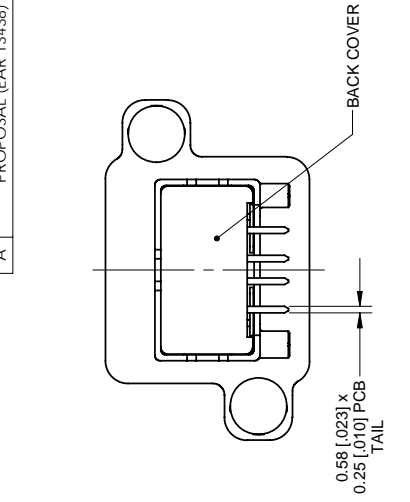


REV	DESCRIPTION	DATE	APPRD
A	PROPOSAL (EAR 13438)	DEC18/08	K.L.

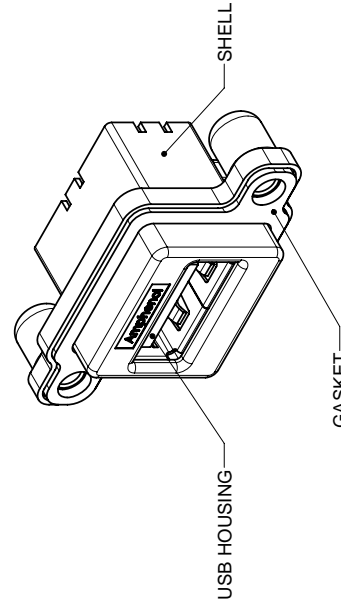


ORDERING CODE: **MUSB - A111 - 301**

SERIES, RUGGED USB
 USB SERIES 'A' RECEPTACLE, SINGLE PORT, RIGHT ANGLE PCB TAIL
 THREAD OPTION
 3 = #4-40 UNC THREAD
 DUST COVER OPTION
 0 = NO DUST COVER SUPPLIED
 UNIQUE SPECIAL CODE SIGNIFIES TIGHTER CONTROL FOR EPOXY APPLICATION

NOTES:

1. MATERIAL:
 - ALL MATERIALS ARE RoHS COMPLIANT PER EU DIRECTIVE 2002/95/EC AND AMENDMENTS
 - OUTER SHELL - DIECAST ZINC ALLOY, NICKEL PLATED
 - CONTACTS - PHOSPHOR BRONZE, PLATED WITH 0.76 MICRONS (30 MICRONS) GOLD OVER 1.27 MICRONS (50 MICRONS) MINIMUM NICKEL ON THE MATING AREA WITH TIN PLATING ON THE TAILS
 - USB HOUSING - ENGINEERING THERMOPLASTIC, HIGH TEMPERATURE RESISTANT, FLAMMABILITY RATING UL94V-0, BLACK
 - USB SHELL & BACK COVER - COPPER ALLOY, NICKEL PLATED
 - GASKET - SILICONE RUBBER, BLACK
2. ENVIRONMENTAL PERFORMANCE PER IEC 60529 CODE IP67 FOR SEAL BETWEEN MATING AREA AND PCB SIDE OF CONNECTOR. GASKET PROVIDES SEAL TO INSIDE FACE OF ENCLOSURE PANEL.
3. CURRENT RATING: 1.5 AMPERES
4. CONTACT RESISTANCE: 30 MILLIOHMS MAXIMUM.
5. OPERATING TEMPERATURE: -40°C TO +105°C.

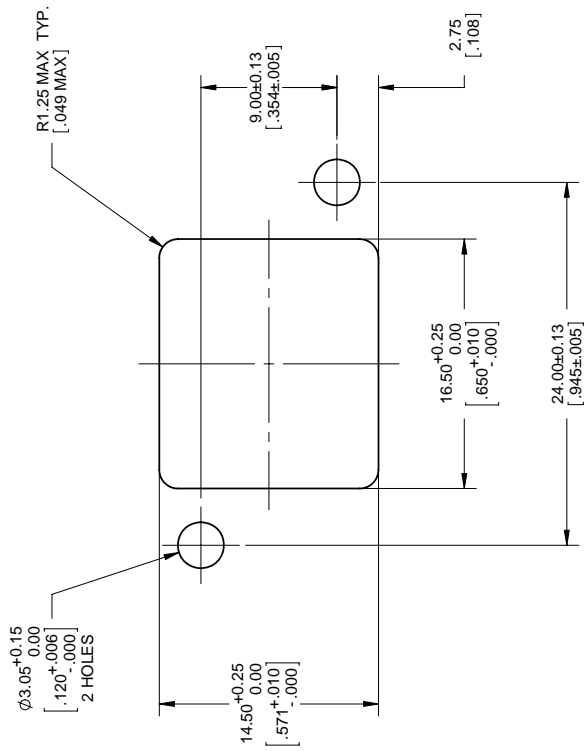


APPROVALS		DATE
DRAWN	H.SONG	DEC18/08
DESIGNED		
CHECKED		
QA APPD		
IE APPD		
DWG APPD	K.LAMBE	DEC18/08
CODE IDENT. NO.		

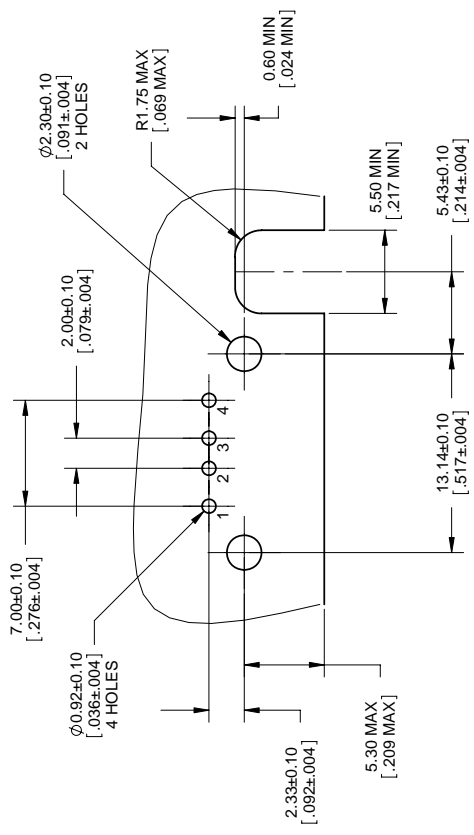
TITLE	SIZE	DWG. NO.	REV.
MUSB SERIES RUGGED USB CONNECTOR, SERIES 'A' RECEPTACLE, SINGLE PORT, RIGHT ANGLE PCB TAIL, SPECIAL EPOXY APPLICATION CONTROL, RoHS COMPLIANT	C	P-MUSB-A111-301	A

SCALE	PROJECT	SHEET
3:1	MUSB	1 OF 2

REVISIONS		DATE	APPRD
REV	DESCRIPTION		
A	PROPOSAL (EAR 13438)	DEC18/08	K.L.



RECOMMENDED PANEL CUTOUT



RECOMMENDED PCB LAYOUT
COMPONENT SIDE OF BOARD



UNLESS OTHERWISE SPECIFIED DIMENSIONS ARE IN MILLIMETER TOLERANCES ARE:	APPROVALS	DATE
DECIMALS .XX ± 0.25	DRAWN H.SONG	DEC18/08
ANGLES ± 1°	DESIGNED	
MATERIAL AND FINISH	CHECKED	
REF.	QA APPD	
CODE IDENT. NO.	IE APPD	
	DWG APPD K.LAMBE	DEC18/08
	SIZE C	SCALE 3:1
	DWG. NO. P-MUSB-A111-301	PROJECT MUSB
	REV. A	SHEET 2 OF 2

Amphenol Canada Corp.

TITLE
MUSB SERIES RUGGED USB CONNECTOR, SERIES 'A' RECEPTACLE, SINGLE PORT, RIGHT ANGLE PCB TAIL, SPECIAL EPOXY APPLICATION CONTROL, RoHS COMPLIANT

DO NOT SCALE DRAWING
THIS DOCUMENT CONTAINS PROPRIETARY INFORMATION AND SUCH INFORMATION MAY NOT BE DISCLOSED TO OTHERS FOR ANY PURPOSE OR USED FOR MANUFACTURING PURPOSES WITHOUT PERMISSION FROM AMPHENOL CANADA CORP.