



aerospace  
 climate control  
 electromechanical  
**filtration**  
 fluid & gas handling  
 hydraulics  
 pneumatics  
 process control  
 sealing & shielding



# Reservoir Accessories

Filler Breathers, Strainers, Diffusers,  
 Fluid Level/Temperature Gauges



ENGINEERING YOUR SUCCESS.

# Reservoir Accessories

## Non-Metallic Filler Breathers

Anti-Splash Design!



### Specifications:

#### Materials:

Body: Non-corrodible glass filled nylon

Valve: Nylon/Nitrile

Dipstick: ABS, acetal Hi/Lo indicators

**Filtration Element:** Expanded polyurethane foam, 10 micron

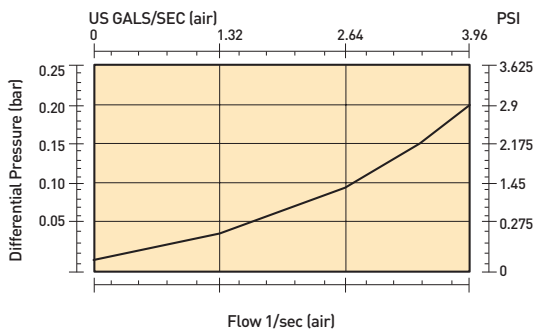
**Operating Temperatures:** -22°F (-30°C) to 195°F (90°C)

**Seals:** Nitrile (single-hole), cork gasket (six-hole)

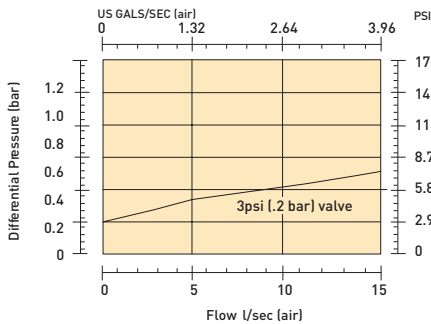
**Pressurization Options:** 3 psi (0.2 bar)

**Dipstick:** (optional) 7.9 in. (200 mm) or 15.8 in. (400 mm) lengths with adjustable Hi/Lo indicators

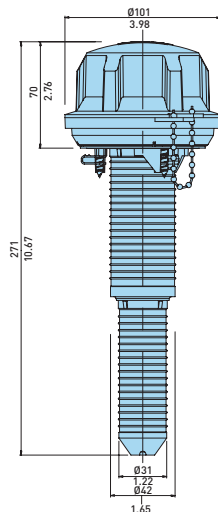
### (Non-pressurized)



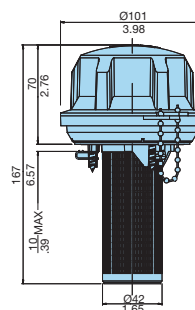
### (Pressurized)



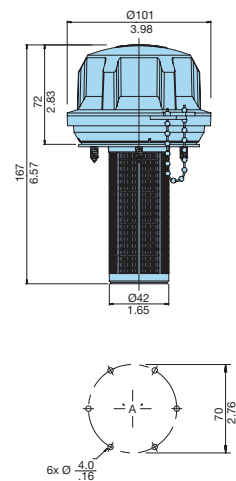
Telescopic Strainer



Single-Hole Option



Six-Hole Option



TANK MOUNTING HOLE Ø63  
NOTE: REFER TO UCC PRODUCTION INSTRUCTIONS FOR ASSEMBLY DETAILS AND PACKING REQUIREMENTS

Linear Measurement =  $\frac{\text{mm}}{\text{in}}$

### Non-pressurized

Single-Hole New Part No.	Single-Hole Obs. Part No.	Six-Hole New Part No.	Six-Hole Obs. Part No.	Micron Rating	Description	Screws*
AB98210011	FB1.A1A1B2P	AB.98810011.UC	FB1.D1A1B2P	10	Filler breather with 3.7" [95 mm] strainer	(6)-#10x.5
AB98210021	FB1.A1A1C2P	AB.98810021.UC	FB1.D1A1C2P	10	Filler breather with telescopic strainer	(6)-#10x.5

### Pressurized

Single-Hole Part No.	Six-Hole New Part No.	Six-Hole Obs. Part No.	Micron Rating	Description	Screws*
Not Available	AB.98812021.UC	FB1.D1B1C2P	10	3 psi (.2 bar) with telescopic strainer	(6)-#10x.5

### Dipsticks

New Part Number	Obsolete Part Number	Description
B68206	DIP.FB2	Pack of (10) x 7.9"
B68207	DIP.FB4	Pack of (10) x 15.8"

\*Mounting screws for six-hole only

Drawings are for reference only.  
Contact factory for current version.

# Reservoir Accessories

## Non-Metallic Breathers

### Non-Metallic Breathers Threaded Type

#### Specifications:

##### Materials:

Body: Nylon 66

Valve: Nylon/Nitrile

Dipstick: ABS, acetal Hi/Lo indicators

**Filtration Element:** Expanded polyurethane foam, 10 micron

**Operating Temperatures:** -22°F (-30°C) to 195°F (90°C)

**Seals:** Nitrile

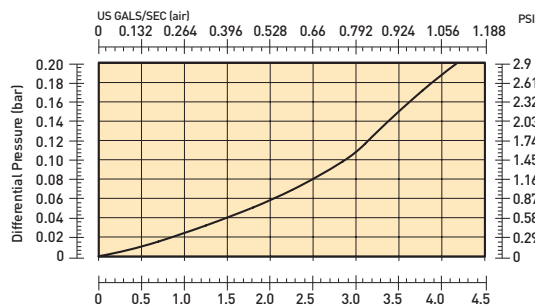
**Pressurization Options:** 3 psi (0.2 bar)

**Dipstick:** (optional) 7.9 in. (200 mm) or 15.8 in. (400mm) lengths with adjustable Hi/Lo indicators

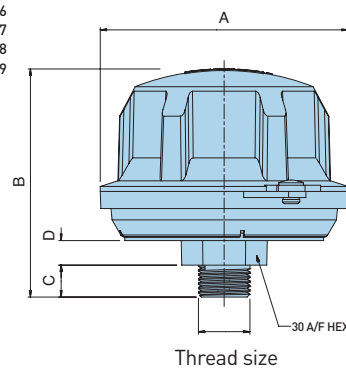
#### Anti-Splash Design!



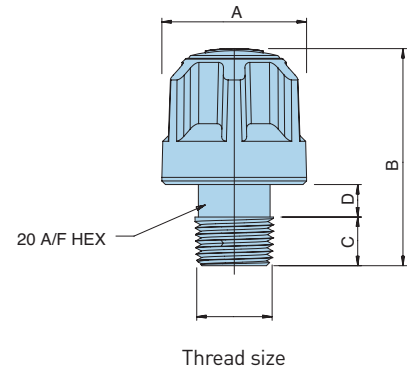
COMPACT THREADED



Standard Threaded



Compact Threaded



#### Compact Threaded

New Part Number	Obs. Part Number	Micron Rating	Thread	Pressure	"A"	"B"	"C"	"D"
943296*	SB1.A1A2P*	10	1/4" NPT	non-pressurized	1.6" [40 mm]	2.2" [57 mm]	.55" [14 mm]	.24" [6 mm]
983298*	SB1.C1A2P*	10	1/2" NPT	non-pressurized	1.6" [40 mm]	2.4" [60 mm]	.53" [13.5 mm]	.35" [9 mm]
942642*	AB.68Z102.UC*	10	3/4" NPT	non-pressurized	1.6" [40 mm]	2.4" [60 mm]	.55" [14 mm]	.35" [9 mm]
983297		10	3/8" NPT	non-pressurized				

\*Pack of (10) pieces.

#### Standard Threaded

New Part Number	Obs. Part Number	Micron Rating	Thread	Pressure	"A"	"B"	"C"	"D"
AB.98410201.UC	FB1.B1A3A2P	10	3/4" NPT	non-pressurized	4.0" [101 mm]	3.8" [95 mm]	.63" [16 mm]	.39" [10 mm]
AB.98412201.UC	FB1.B1B3A2P	10	3/4" NPT	3 psi (.2 bar)	4.0" [101 mm]	3.8" [95 mm]	.63" [16 mm]	.39" [10 mm]

#### Dipsticks

New Part Number	Obs. Part Number	Description
B68206	DIP.FB2	Pack of (10) x 7.9"
B68207	DIP.FB4	Pack of (10) x 15.8"

Drawings are for reference only.  
Contact factory for current version.



# Reservoir Accessories

## Metal Filler Breathers

### Flange Type

#### Specifications:

##### Materials:

Cap & Plate: Nickel chrome plated steel

Valve: Nylon/Nitrile

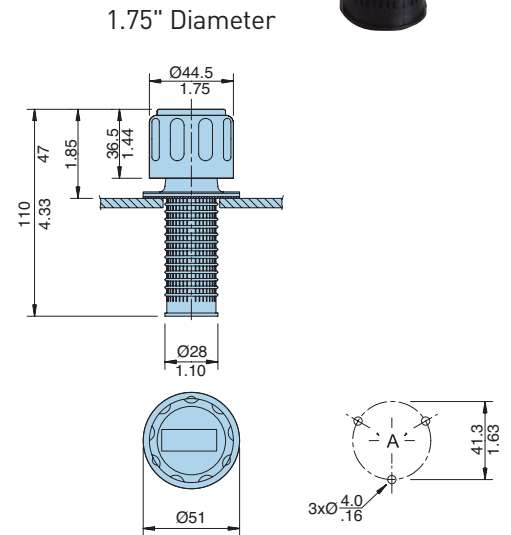
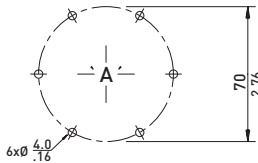
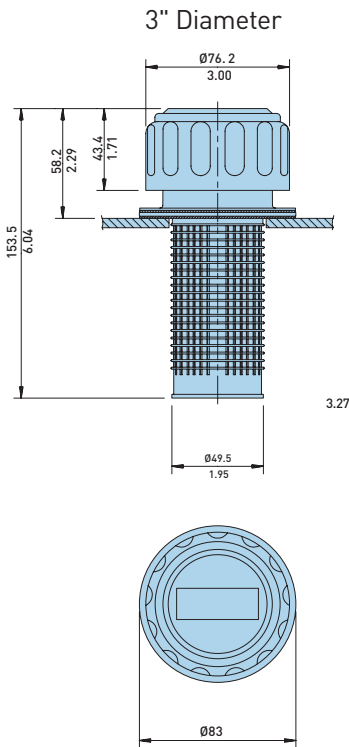
Gasket: Cork

Filtration Element: Expanded polyurethane foam, 10 micron

Operating Temperatures: -22°F (-30°C) to 195°F (90°C)

Seals: Nitrile

Pressurization Options: none, 5 psi (0.35 bar)



Linear Measurement =  $\frac{\text{mm}}{\text{in}}$

Drawings are for reference only.  
Contact factory for current version.

### Flange Type, Non-pressurized

New Part No.	Obs. Part No.	New Part (Cap As.)	Obs. Part (Cap As.)	Micron Rtg	Air Flow	Description	Screws
AB.1163.10	MB1.D1A1B1P	CAP.1163.10	CP1.D1A1A1P	10	2 gal./sec. (7.5 l/sec.)	3" (76 mm) dia.	(6)-#10x.5
5561	MB1.D1A1B2P	Not Available	Not Available	10	2 gal./sec. (7.5 l/sec.)	3" (76 mm) dia., w/lck lug	(6)-#10x.5
AB.1380.10	MB1.A1A1B1P	CAP.1380.40	CP1.A2A1A1P	10	1.3 gal./sec. (5 l/sec.)	1.75" (44.5 mm) dia.	(6)-#10x.5

### Flange Type, Pressurized

New Part No.	Obs. Part No.	New Part (Cap As.)	Obs. Part (Cap As.)	Micron Rtg.	Air Flow	Description	Screws
PAB.1730.10.5	MB1.D1C1B1P	CAP.1730.40.5	CP1.D1C1A1P	10	2 gal./sec. (7.5 l/sec.)	5 psi (.35 bar), 3" (76 mm) dia.	(6)-#10x.5



# Reservoir Accessories

## Metal Breathers

### Threaded Type

#### Specifications:

##### Materials:

Cap & Plate: Nickel chrome plated steel

Valve: Nylon/Nitrile

Gasket: Cork

Filtration Element: Expanded polyurethane foam, 10 micron

Operating Temperatures: -22°F (-30°C) to 195°F (90°C)

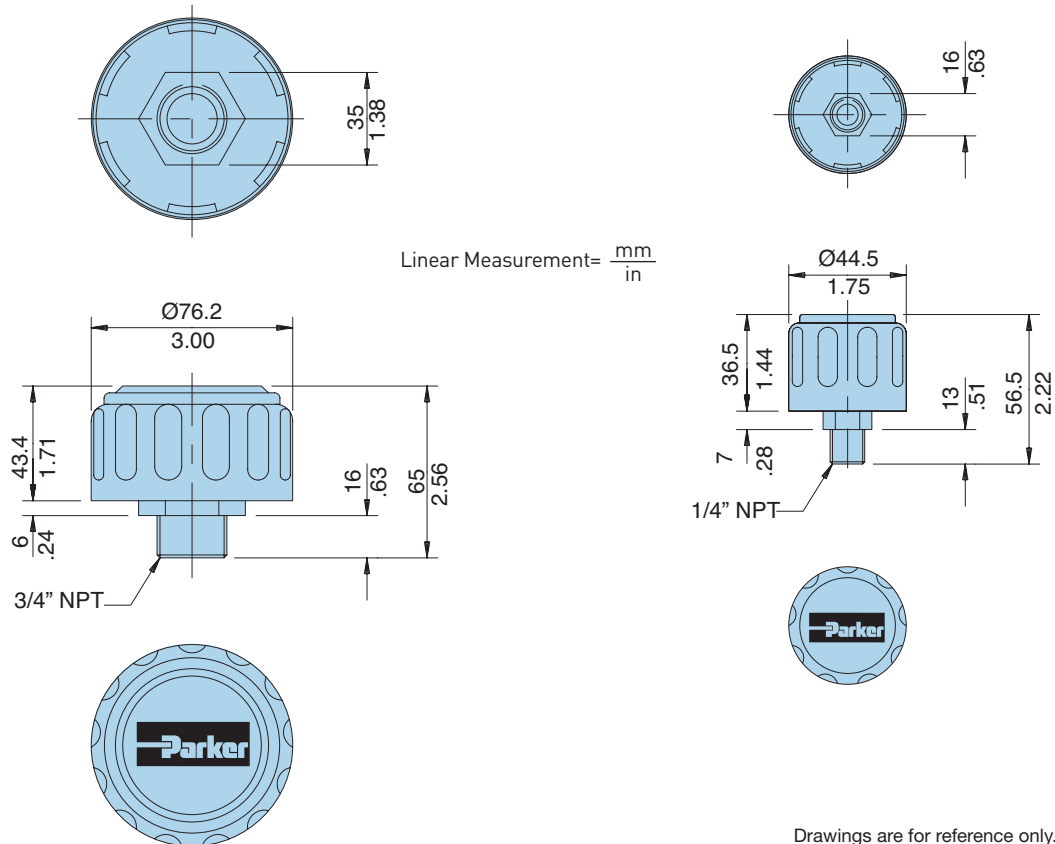
Seals: Nitrile

Pressurization Options: none, 5 psi (0.35 bar)



3/4" Threaded

1/4" Threaded



Drawings are for reference only.  
Contact factory for current version.

### Threaded, Non-pressurized

New Part Number	Obs. Part Number	Micron Rating	Air Flow	Thread	Description
SAB.1562.10.NPT	MB1.B1A3A1P	10	1.3 gallon/sec. [5 l/sec.]	3/4" NPT	3" [76 mm] diameter
SAB.1563.10.NPT	MB1.C1A3A1P	10	.7 gallon/sec. [2.5 l/sec.]	1/4" NPT	1.75" [44.5 mm] diameter

# Reservoir Accessories

## Breathers

### Desiccant Type

**Specifications:**

**Materials:**

Casing: Clarified copolymer polypropylene  
 Cap: Copolymer polypropylene  
 Stand pipe: PVC

**Filtration Element:** Polyester, silica gel

**Operating Temperatures:** -20°F (-29°C) to 250°F (121°C)

**Seals:** None

**Maximum Allowable**

**Operating Pressure (MAOP):** 5 psi (.34 bar)

**Particle Removal Efficiency:**

98.7% (beta 75) @ 3 micron  
 99.5% (beta 200) @ 4 micron  
 99.9% (beta 1000) @ 5.3 micron

**Weight:**

934330T	1.25 lbs. (.57 kg) each.
934331T	1.75 lbs. (.79 kg) each.
934332T	2.25 lbs. (1.02 kg) each.



### Features

**Foam Pads**

Isolates the removal materials from contact with heavy reservoir mist and securely holds materials in place.

**Filter Pads**

Specially designed filter pads remove solid particulate on upstream side and then regenerate by releasing those particles when air flow reverses direction. Lower pad removes airborne contamination and second pad protects against any migration of desiccant.

**Air Intakes**

A total of eight air intakes may be exposed to allow air to freely flow in and out of the TriCeptor.

**Silica Gel Desiccant**

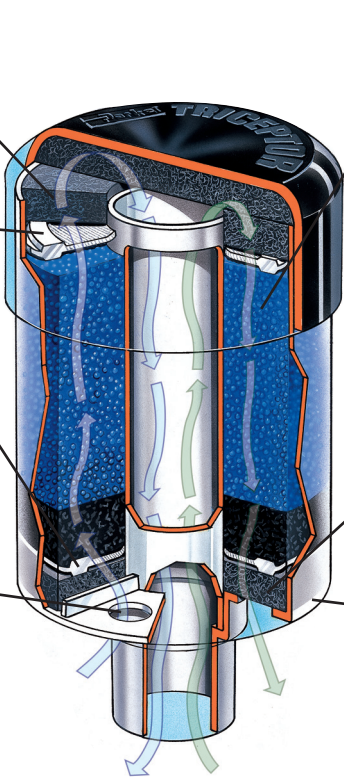
Has the highest removal capability by volume of any adsorption method. Indicates condition by changing color.

**Foam pad**

Insures filter pad is properly positioned and protects it from external damage.

**Molded Housing**

Durable shock absorbing casing provides reliable service and simple press in mounting.



# Reservoir Accessories

## Breathers

### Installation

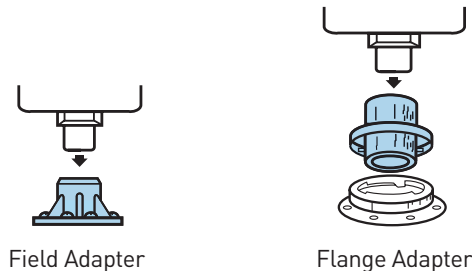
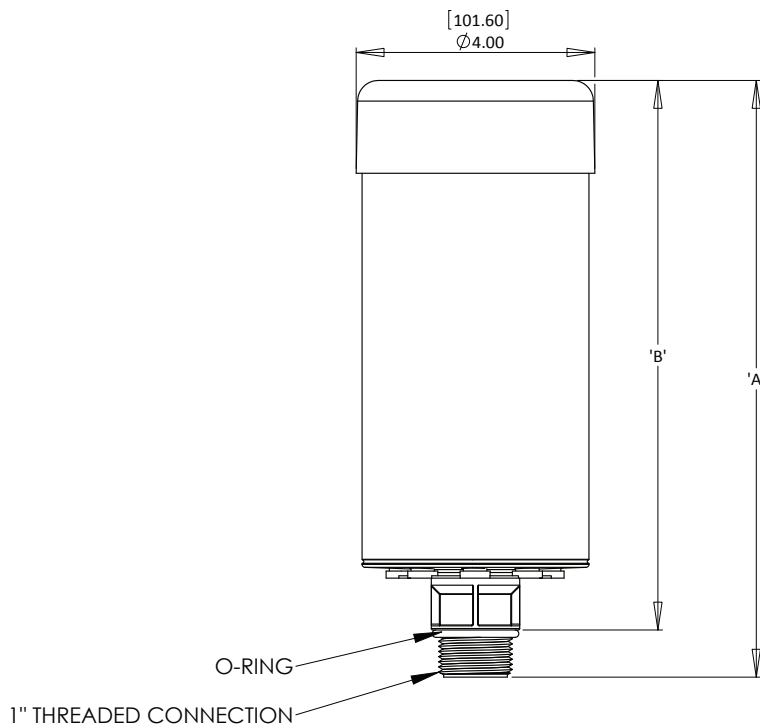
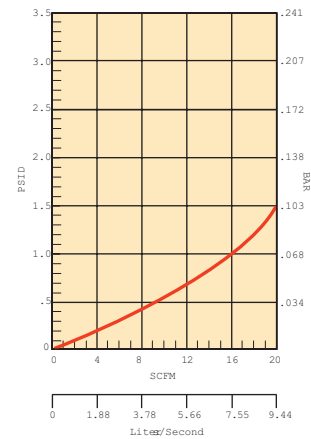
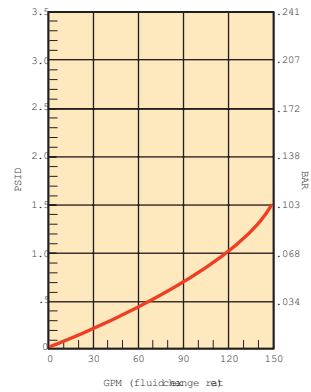
TriCeptor breathers are designed for simple installation on most equipment, regardless of mounting connection. Since TriCeptor breathers are disposable, the threaded connection allows for quick and easy maintenance. Several mounting adapters (shown below) are available to provide the desired mounting. The installation/replacement process consists of four easy steps:

1. Remove from protective plastic wrap.
2. Remove 1" blue cap from standpipe.
3. Remove foil label to expose the necessary amount of air intake holes.
4. Twist TriCeptor into mounting adapter.

Servicing the TriCeptor breather is also very easy. When the silica gel changes color from blue to a pink, the breather is no longer active and needs to be replaced. Simply remove the unit and discard properly.

### Air Flow Performance

The curves below show the air flow performance of the three TriCeptor breathers. To insure the longest life possible, the initial clean pressure drop should not exceed 1.5 psid (.103 bar).



$$\text{Linear Measurement} = \frac{\text{mm}}{\text{in}}$$

Drawings are for reference only.  
Contact factory for current version.

Part Number	'A' (mm/in)	'B' (mm/in)	Quantity
934330T	155.58/6.125	135.256/5.325	6 pcs.
934331T	206.38/8.125	186.06/7.325	6 pcs.
934332T	257.18/10.125	236.86/9.325	6 pcs.
937546	Field Adapter	937546	1 pc.
937463	Flange Adapter	937463	1 pc.



# Reservoir Accessories

## Mobile Triceptor

### New Design in Mobile Triceptor:

Parker's new mobile Triceptor desiccant filter breather incorporates a design that replaces both the spin-on can and the optional check valve adaptor.

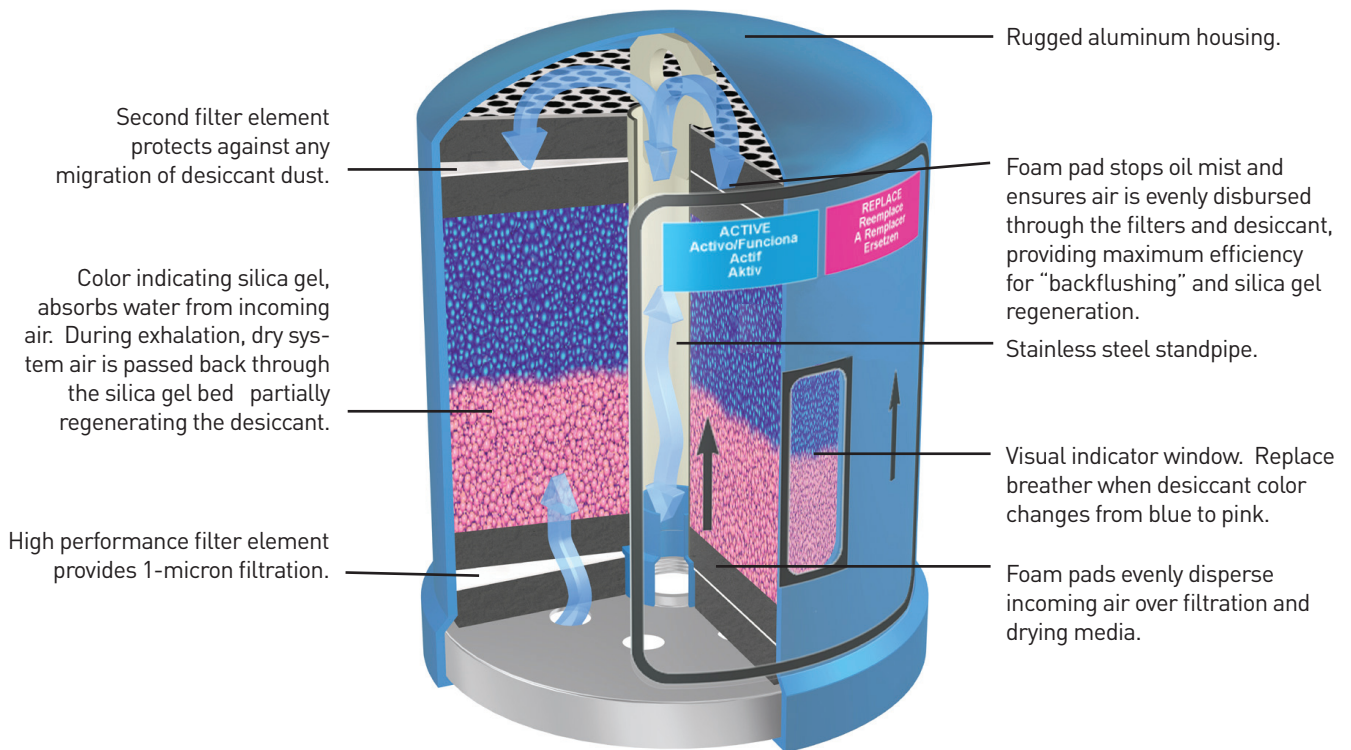
Optimized for mobile applications, the mobile Triceptor is equipped to handle high air flow surges as cylinders unload, while providing reliable protection from ingressed contaminants. Controlling rust-forming water vapor and airborne particulates, the breather protects against sludge deposits and water-contaminated oil resulting in longer oil and filter life while reducing operating costs.



941655



941747



\*Patented technology

# Reservoir Accessories

## Mobile Triceptor

### General Data

Amount of Silica Gel	0.79 kg
	1 lb. 12 oz.
Adsorption Capacity	318 mL
	1.34 cups
Net Weight of Unit	1.8 kg
	4 lbs. 3 oz.
Filtration Area	31.1 in <sup>2</sup> / 79 cm <sup>2</sup>
Direction of Flow	Bidirectional
Operating Temperature Range	-20°F to 300°F / -29°C to 148.89°C

### Unit Material Data

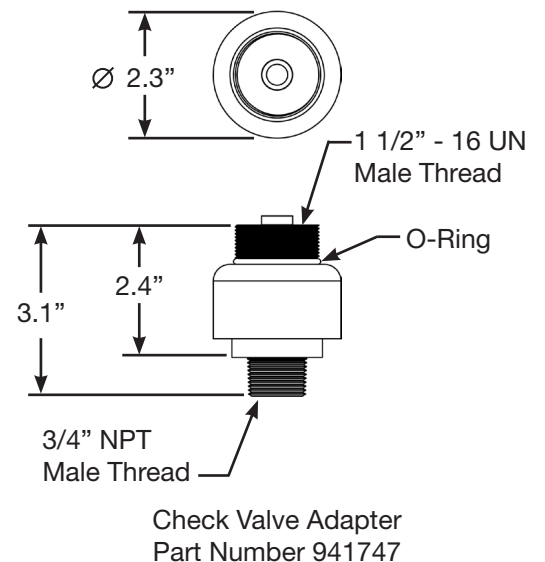
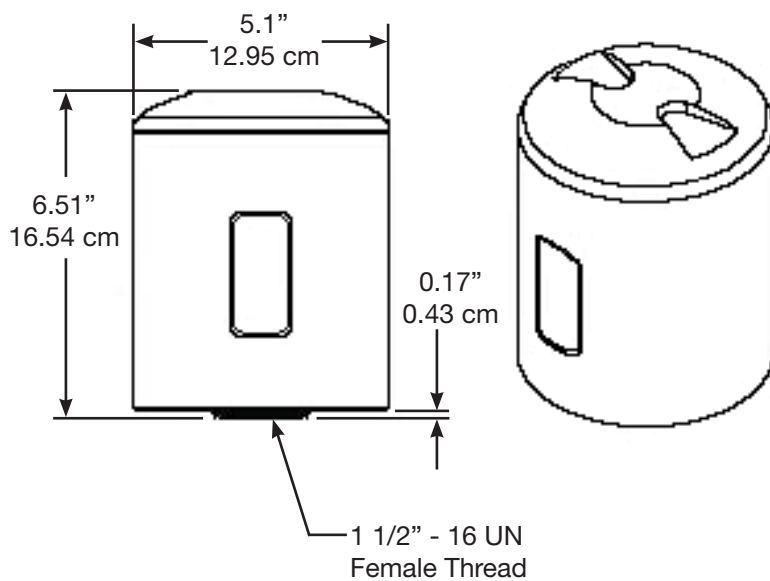
Material	Nylon and MXD6
Maximum Operating Temperature	300°F / 148.89°C
Melting Point	320°F / 160°C
Check Valve Adapter	Zinc Plated Steel

### Filter Media

Material	EPTFE
Porosity	3.5 - 7.5 Ft./min. @ 0.5 in. - H <sub>2</sub> O (ASTM D 737)
Filtration Efficiency	99.97% @ 0.3μ (IES-RP-CC021.1)

### Hygroscopic Agent (Silica Gel)

Apparent Bulk Density	700 - 800 kg/m <sup>3</sup>
Average Particle Diameter	0.145" / 3.68 mm
Specific Heat	0.25 BTU/lb. F
Nominal Mesh Range	4 x 8
Average Crush Strength	35 lbs. / 15.9 kg



Note: Element removal clearance = 1"

Drawings are for reference only.  
Contact factory for current version.

# Reservoir Accessories

## Breathers - Spin-on Type

### Specifications:

**Materials:** Low carbon steel

**Filtration Element:** Cellulose

### Operating Temperatures:

-40°F (-40°C) to 225°F (107°C)

**Seals:** Nitrile.

**Weight:** 12AT - 1.2 lbs(.54 kg) each

50AT - 2.3 lbs. (1.0 kg) each

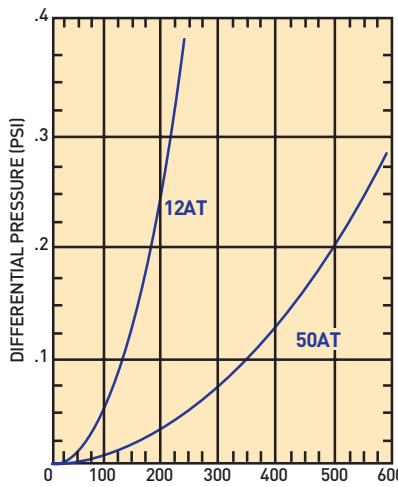
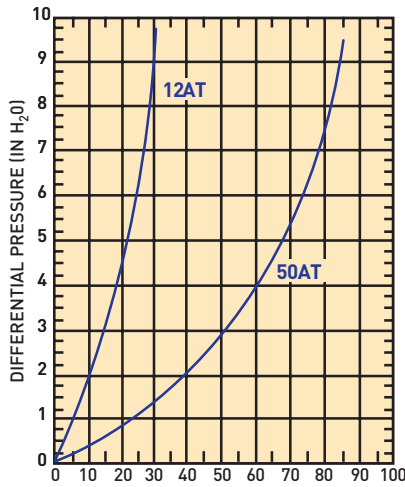
### Sizing

Select the proper size cannister for the maximum rate of reservoir draw down or air exchange rate. As a rule of thumb, clean pressure drop should be limited to 0.18 psid [5" H<sub>2</sub>O].

Recommended cannister change out is after 500 hours of operation. More frequent replacement may be required when operated in heavily contaminated areas such as grinding operations, primary metal mills, and on mobile equipment. Under such conditions, increase replacement frequency to every 250 hours.

Graphs are for 03C cannisters only. Total pressure drop across cannister, adaptor, and pipe may be found by adding pressure drops below:

- + 1.5% for each inch of 12AT adapter or 3/4" pipe used.
- + 3.0% for each 3/4" elbow used.
- + 1.0% for each inch of 50AT adapter or 1-1/4" pipe used.
- + 2.0% for each 1-1/4" elbow used.

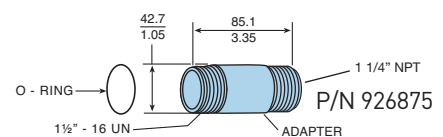
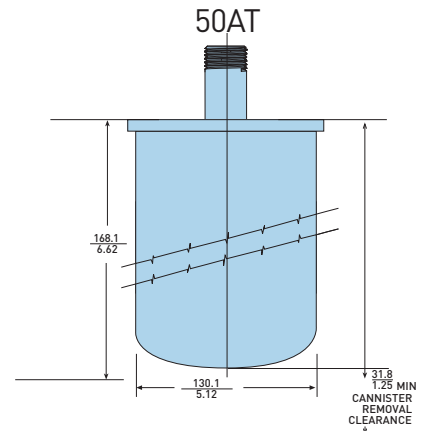
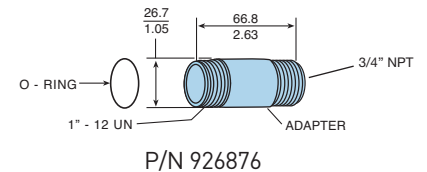
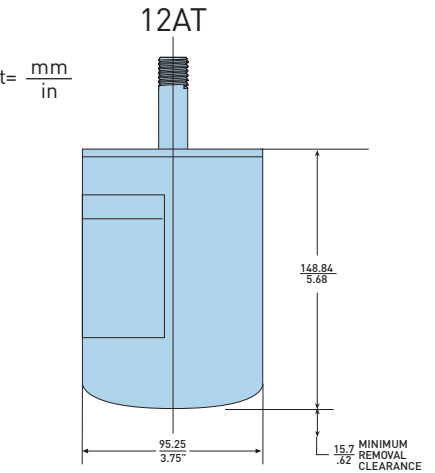


Element	Air Rating*	Diameter	Adaptor Kit
926543	1 micron	3.75"	926876
921999	2 micron	3.75"	926876
925023	5 micron	3.75"	926876
926541	1 micron	5.1"	926875
926169	2 micron	5.1"	926875
926170	5 micron	5.1"	926875

\*99% removal efficiency for particles larger than stated size in air.



$$\text{Linear Measurement} = \frac{\text{mm}}{\text{in}}$$





# Reservoir Accessories

## Diffusers

### Specifications:

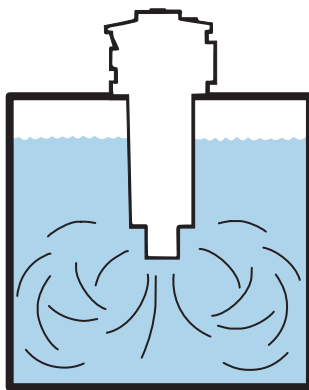
**Operating Temperatures:** 195°F (90°C) maximum

**Materials:** Body & end cap: Zintec  
Head: glass-filled nylon

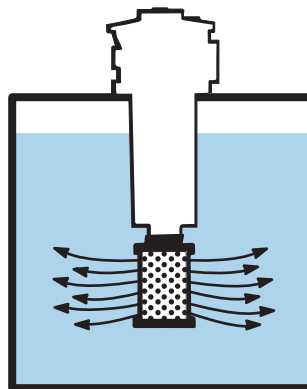
**Weight:** See chart below

### Benefits:

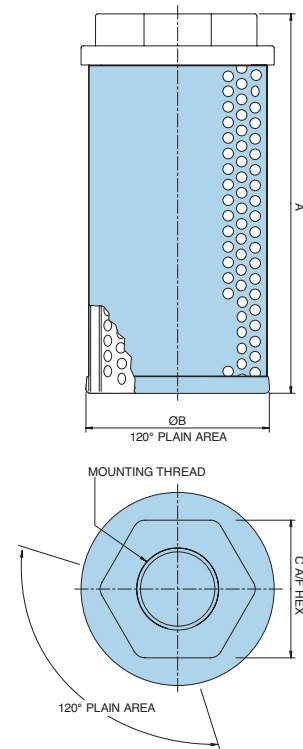
Installing a diffuser in a hydraulic reservoir is a simple change that can make a dramatic difference in system efficiency. With special concentric tubes designed with discharge holes 180° opposed, fluid aeration, foaming and reservoir noise are reduced. Pump life is also extended by reducing cavitation to the pump inlet. The effects of fitting a system with a diffuser are shown below.



Flow without diffuser



Flow with diffuser fitted



New Part Number	Obs. Part Number	Thread (NPT)	Nominal Flow GPM (LPM)	Length "A" Inch (mm)	Diameter "B" Inch (mm)	HEX "C" Inch (mm)	Weight Lbs. (kg)
2250	DF1.A2BP	3/4"	13 (50)	4.7 (120)	2.4 (62)	1.81 (46)	.60 (0.27)
2251	DF1.B4BP	1"	30 (114)	5.0 (127)	3.4 (86)	2.17 (55)	.93 (0.42)
2252	DF1.B6BP	1 1/2"	60 (227)	7.0 (178)	3.4 (86)	2.56 (65)	1.23 (0.56)
2253	DF1.B9BP	2"	120 (454)	9.5 (242)	3.4 (86)	2.95 (75)	1.52 (0.69)

# Reservoir Accessories

## Fluid Level/Temperature Gauges

### Specifications:

#### Materials:

Lens: Transparent polyamide

Lens base: Nylon 66

Shroud: High impact polystyrene (no aluminum content)

Seals: Nitrile

**Maximum Operating Pressure:** 14.7 psi (1 bar)

**Operating Temperatures:** -22°F (-30°C) to 195°F (90°C)

**Thermometer Range:** 90°F to 210°F (30°C to 90°C)

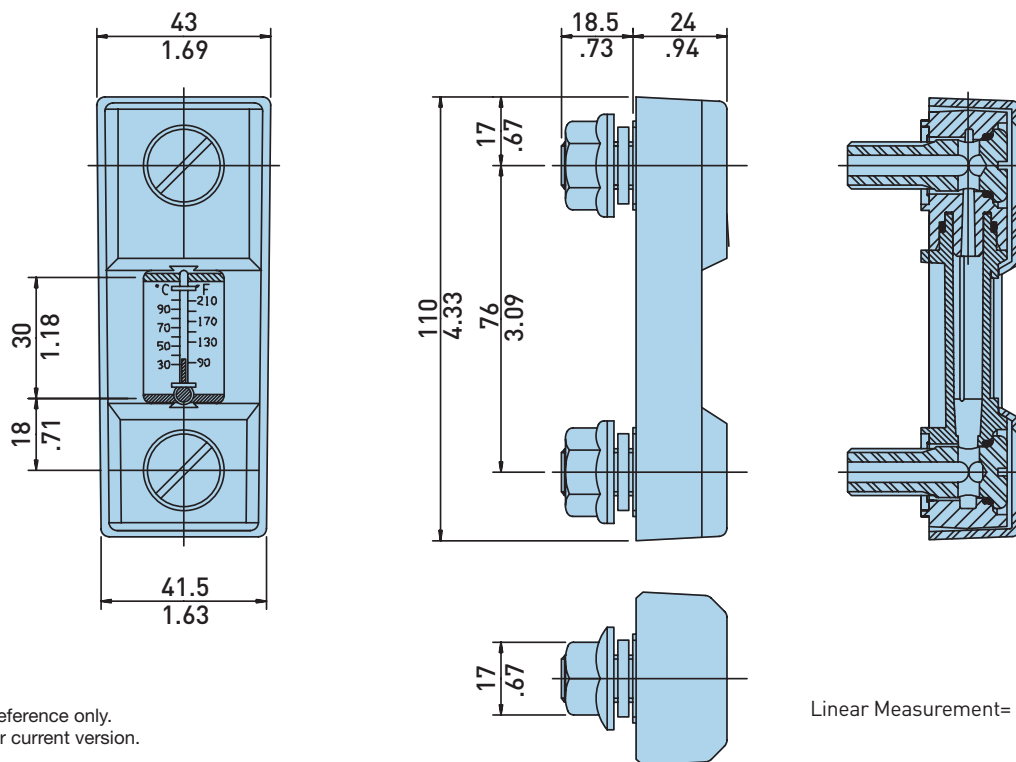
**Indicator:** Blue alcohol

**Fluid Compatibility:** Mineral and petroleum based fluids

**Mounting:** Front or rear fixing, two holes (M10)



### Length 3



Drawings are for reference only.  
Contact factory for current version.

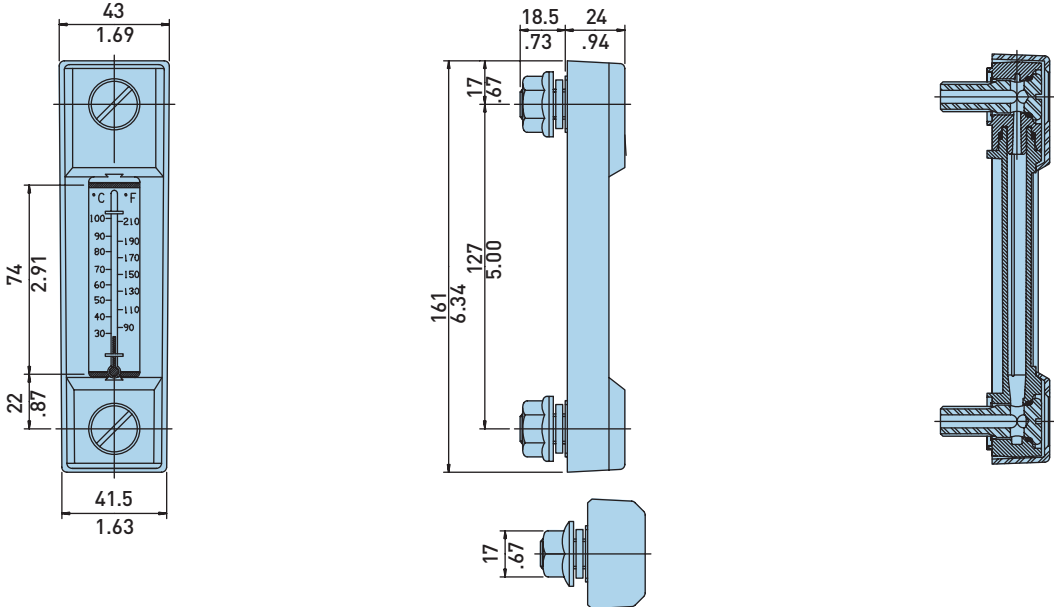
Linear Measurement=  $\frac{\text{mm}}{\text{in}}$

Part Number	Thread	Length	Description
FL.69121	M10	3	Fluid level and temperature
FL.69221	M10	5	Fluid level and temperature
FL.69321	M10	10	Fluid level and temperature

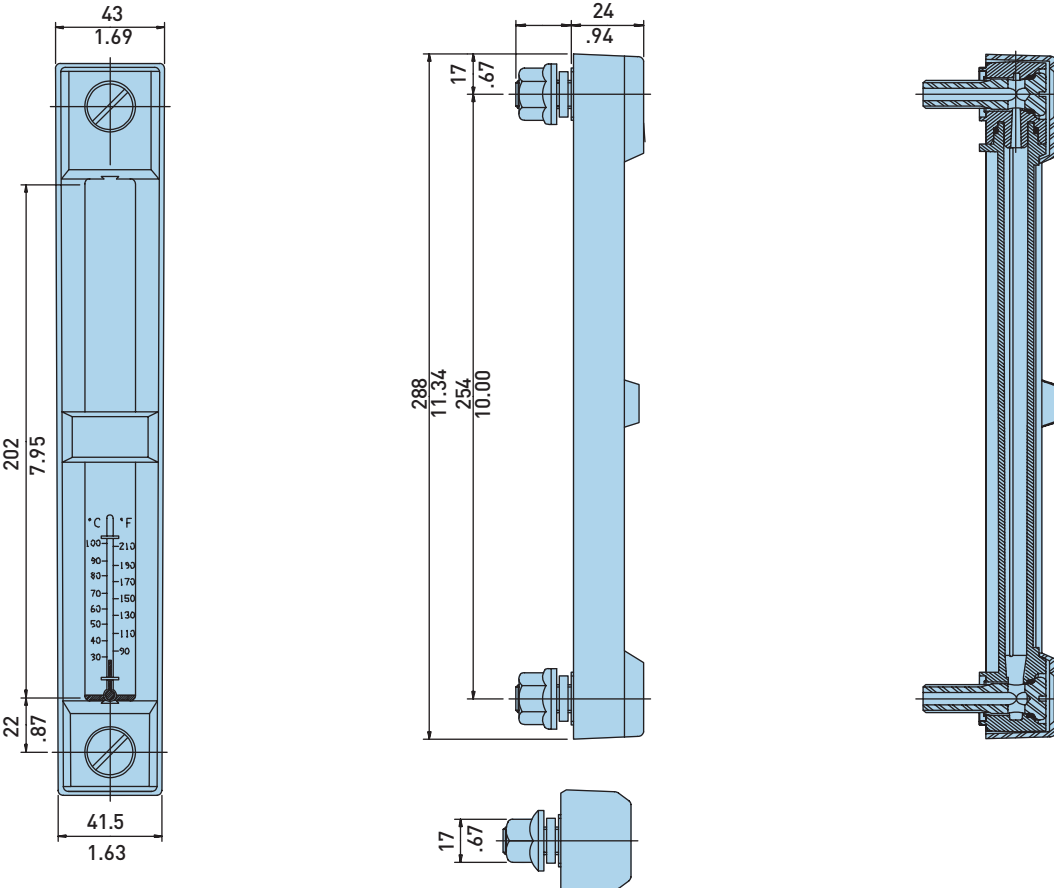
# Reservoir Accessories

## Fluid Level/Temperature Gauges

### Length 5



### Length 10



Linear Measurement =  $\frac{\text{mm}}{\text{in}}$

Drawings are for reference only.  
Contact factory for current version.



# Reservoir Accessories

## Suction Strainers

### Specifications:

#### Materials:

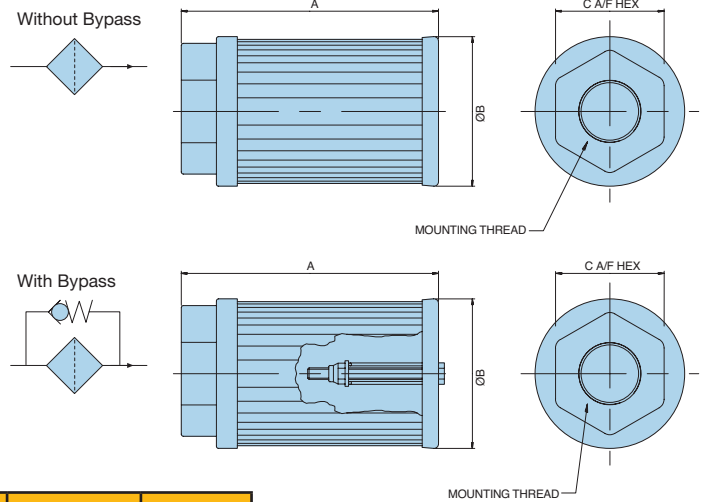
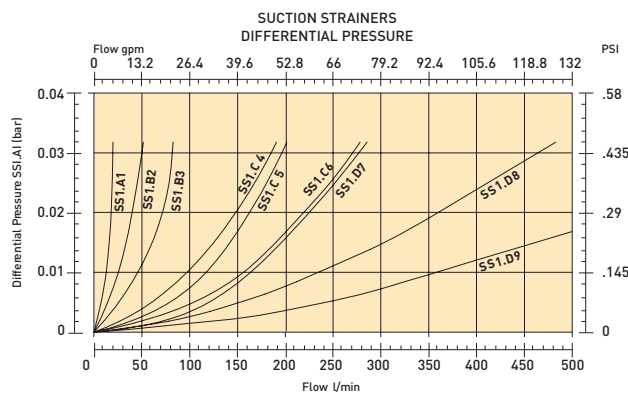
Media: Stainless steel  
 Tube and endcap: Zintec  
 Head: glass filled nylon

**Filtration Element:** 100 mesh (149 micron)

**Operating Temperatures:** 195°F (90°C) maximum

**Bypass:** None, 3 psi (0.2 bar)

**Weight:** See chart below



New Part No. With Bypass	Bypass	Port (NPT)	Nominal Flow GPM (LPM)	Length "A" Inch (mm)	Diameter "B" Inch (mm)	BSPF Fitting
937480	No	1/2"	5(19)	4.125	1.90	No
937481	Yes	1/2"	5(19)	4.125	1.90	No
937482	No	3/4"	8(30)	3.55	2.67	No
937483	Yes	3/4"	8(30)	3.55	2.67	No
937484	No	1"	10(38)	5.25	2.67	No
937485	Yes	1"	10(38)	5.25	2.67	No
937488	No	1-1/2"	30(114)	8.01	3.47	No
937489	Yes	1-1/2"	30(114)	8.01	3.47	No
937490	No	1-1/2"	50(189)	9.85	4.00	No
937491	Yes	1-1/2"	50(189)	9.85	4.00	No
937492	No	2"	50(189)	9.85	4.00	No
937493	Yes	2"	50(189)	9.85	4.00	No
937494	No	2-1/2"	75(284)	10.10	5.17	No
937495	Yes	2-1/2"	75(284)	10.10	5.17	No
937496	No	3"	100(378)	11.50	5.17	No
937497	Yes	3"	100(378)	11.50	5.17	No

# Reservoir Accessories

## Magnetic Suction Strainers

### Magnetic Suction Strainers

**Now offer dual protection, without cavitation!**

Parker's new magnetic suction strainers offer dual protection to the pump inlet without risk of cavitation.

Powerful ceramic magnets located parallel to the pleated mesh attract and protect against damaging ferrous particles of all sizes.

The pleated stainless steel screen provides additional filtration protection for larger particles that would result in catastrophic failure.

The generous open area of the stainless steel pleated mesh eliminates the possibility of pump cavitation.

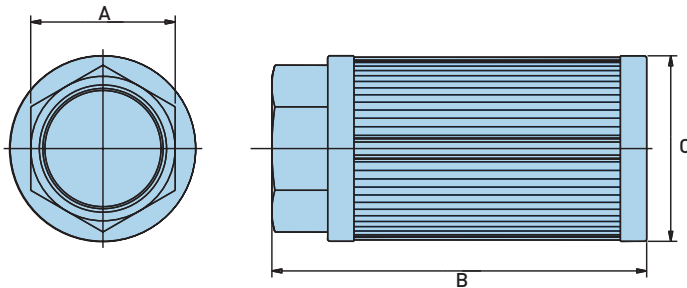
#### Ordering Information

The information below shows the part numbers, specifications and dimensions of available suction strainers, to help you meet the needs of your specific application.

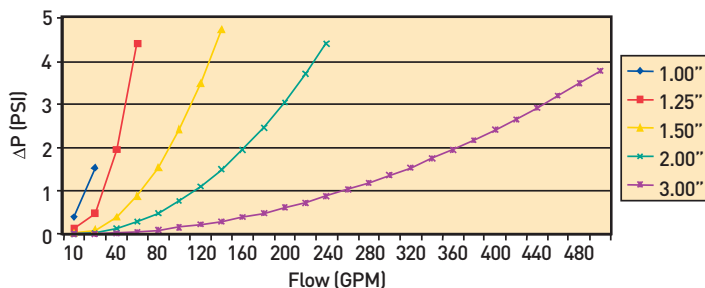
NOTE: All sizes are standard with 30 mesh screen (560 micron).

Part Number	NPT Connection	Flow GPM (LPM)	Dimensions			Approx. Shipping Weight lbs. (kg)
			A inches (mm)	B inches (mm)	C inches (mm)	
936547	1.00"	15 (55)	1.88 (47.75)	5.19 (131.83)	3.09 (78.49)	1.59 (0.72)
936548	1.25"	25 (95)	2.38 (60.45)	7.39 (187.71)	3.53 (89.66)	3.16 (1.43)
936549	1.50"	35 (135)	2.38 (60.45)	7.39 (187.71)	3.53 (89.66)	2.88 (1.31)
936550	2.00"	50 (190)	2.75 (69.85)	7.39 (187.71)	3.53 (89.66)	2.22 (1.01)
936551	3.00"	100 (380)	*	9.35 (237.49)	4.47 (113.54)	3.91 (1.77)

\*Part number 936551 features a 3" half coupling, not a hex nut.



Flow Vs. Pressure Loss



Parker's magnetic suction strainers are available in sizes ranging from one to three inches.



The rugged steel construction, combined with the generous filtration area, ensures reliable performance for suction applications.