



# SERIES TL 3340 SWITCHES

## TACT SWITCHES SMT - SUBMINIATURE



### SPECIFICATIONS

Contact Rating:	50mA @ 12 VDC
Life Expectancy (Mechanical):	100,000 cycles
Life Expectancy (Electrical):	100,000 cycles
Contact Resistance:	500mΩ max. initial
Insulation Resistance:	100MΩ (Min@ 100V)
Dielectric Strength:	500 VDC
Actuation Force:	160± 50 gf
Operating Temperature:	-35°C to +85°C
Travel:	0.20 ± 0.10 mm

### MATERIALS

Housing:	PPA
Bracket:	Tin plate
Actuator:	PPA
Terminals:	Copper alloy, plated
Contact:	Stainless Steel, plated

### FEATURES & BENEFITS

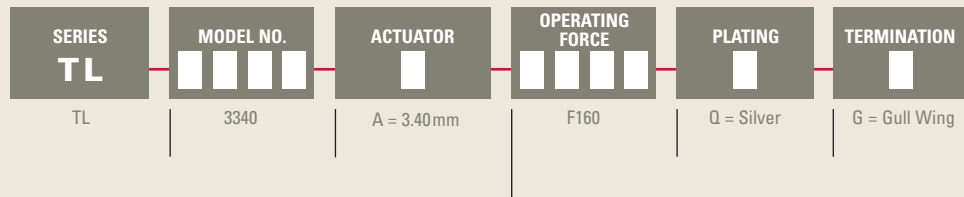
- ▶ Reliable dome technology
- ▶ Strong tactile force
- ▶ Subminiature design
- ▶ SMT

### APPLICATIONS/MARKETS

- ▶ Telecommunications
- ▶ Consumer Electronics
- ▶ Audio/visual
- ▶ Medical equipment
- ▶ Computer/servers/peripherals



### HOW TO ORDER

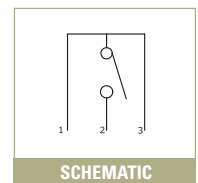
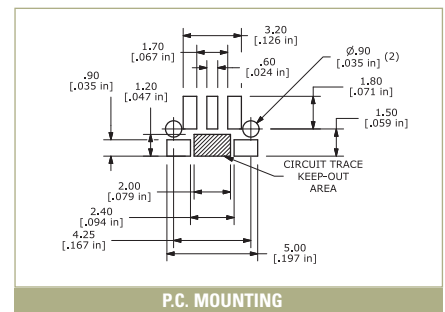
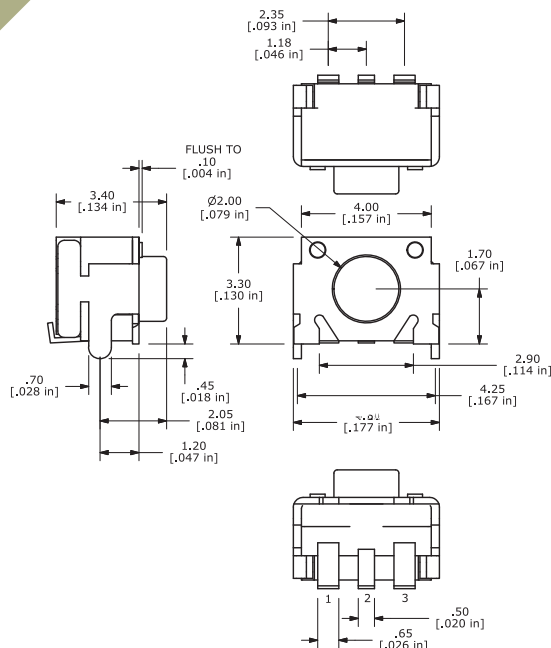


Example Ordering Number

TL-3340-A-F160-Q-G

Specifications subject to change without notice.

## TL 3340



TACT SWITCHES

NAVIGATION SWITCHES

PUSHBUTTON SWITCHES

TOGGLE SWITCHES

ROCKER SWITCHES

SLIDE SWITCHES

SNAP-ACTION SWITCHES

DIP SWITCHES

KEYLOCK SWITCHES

ROTARY SWITCHES

DETECTOR SWITCHES

CAP OPTIONS

# Mouser Electronics

Authorized Distributor

Click to View Pricing, Inventory, Delivery & Lifecycle Information:

[E-Switch:](#)

[TL3340AF160QG](#)