

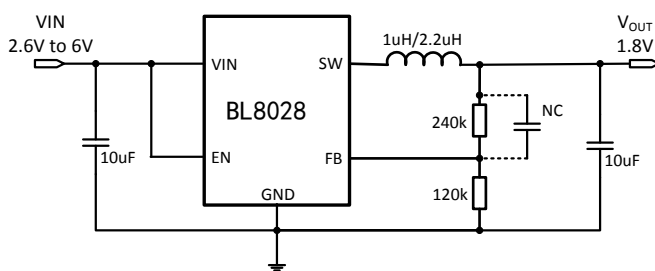
## 1.5A 2MHz 6V Synchronous Buck Converter

### DESCRIPTION

The BL8028 is a high-efficiency, DC-to-DC step-down switching regulators, capable of delivering up to 1.5A of output current. The device operates from an input voltage range of 2.6V to 6V and provides an output voltage from 0.6V to  $V_{IN}$ , making the BL8028 ideal for low voltage power conversions. Running at a fixed frequency of 2MHz allows the use of small external components, such as ceramic input and output caps, as well as small inductors, while still providing low output ripples. This low noise output along with its excellent efficiency achieved by the internal synchronous rectifier, making BL8028 an ideal green replacement for large power consuming linear regulators. Internal soft-start control circuitry reduces inrush current. Short-circuit and thermal-overload protection improves design reliability.

The BL8028 is available in SOT23-5 and the tiny DFN2\*2-6 packages.

### TYPICAL APPLICATION



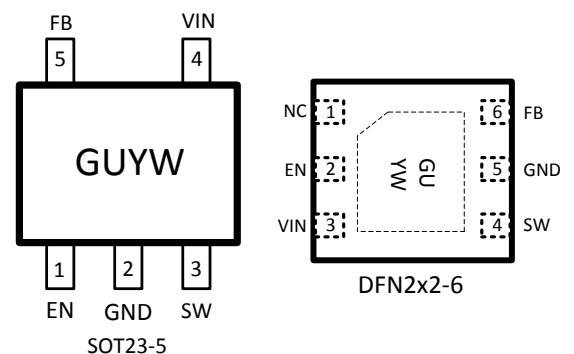
### FEATURES

- High Efficiency: Up to 97%
- Capable of Delivering 1.5A
- 2MHz Switching Frequency
- No External Schottky Diode Needed
- Low dropout 100% Duty operation
- Internal Compensation and Soft-Start
- Current Mode control
- 0.6V Reference for Low Output voltages
- Logic Control Shutdown ( $I_{Q} < 1\mu A$ )
- Thermal shutdown, UVLO
- Available in SOT23-5 and the tiny DFN2\*2-6

### APPLICATIONS

- Cellular phones
- Digital Cameras
- MP3 and MP4 players
- Set top boxes
- Wireless and DSL Modems
- USB supplied Devices in Notebooks
- Portable Devices

### PIN OUT & MARKING



*GU: Product Code*

*YW: Date code (Year & Week)*

## ORDERING INFORMATION

PART No.	PACKAGE	Tape&Reel
BL8028CB5TR	SOT23-5	3000/Reel
BL8028CKCTR	DFN2*2-6	3000/Reel

## ABSOLUTE MAXIMUM RATING

Parameter	Value	
Max Input Voltage	8V	
Max Operating Junction Temperature(Tj)	125°C	
Ambient Temperature(Ta)	-40°C – 85°C	
Maximum Power Dissipation	SOT23-5	400mW
	DFN2*2-6	600mW
Storage Temperature(Ts)	-40°C - 150°C	
Lead Temperature & Time	260°C, 10S	
ESD (HBM)	>2000V	

**Note:** Exceed these limits to damage to the device. Exposure to absolute maximum rating conditions may affect device reliability.

## RECOMMENDED WORK CONDITIONS

Parameter	Value
Input Voltage Range	6V
Operating Junction Temperature(Tj)	-20°C –125°C

## ELECTRICAL CHARACTERISTICS

(Vin=5V, TA=25°C, unless otherwise specified.)

Symbol	Parameter	Conditions	Min	Typ	Max	Unit
Vin	Input Voltage Range		2.6		6	V
Vref	Feedback Voltage	Vin=5V	0.588	0.6	0.612	V
IFB	Feedback Leakage current			0.1	1	uA
IQ	Quiescent Current	Active, VFB=0.65, No Switching		80		uA
		Shutdown			1	uA
LNR	Line Regulation	Vin=2.6V to 5.5V		0.1	0.2	%/V
LDR	Load Regulation	Iout=0.01 to 1A		0.1	0.2	%/A
FSOC	Switching Frequency		1.6	2	2.4	MHz
RDSONP	PMOS Rdson			250	350	mohm
RDSONN	NMOS Rdson			150	250	mohm
VUVLO	Under Voltage Lockout		1.9	2.1	2.3	V
VUVLO_HY	UVLO Hysteresis			100		mV
Ilimit	Peak Current Limit		1.8	2.3	2.8	A
Inoload		Vin=5V, Vout=3.3V, Iout=0		80		uA
Iswlk	SW Leakage Current	Vout=6V, Vsw=0 or 6V, EN=0V			1	uA
Ienlk	EN Leakage Current				1	uA
Vh_en	EN Input High Voltage		1.2			V
VI_en	EN Input Low Voltage				0.5	V
TSD	Thermal Shutdown Temp			160		°C
TSH	Thermal Shutdown Hysteresis			15		°C

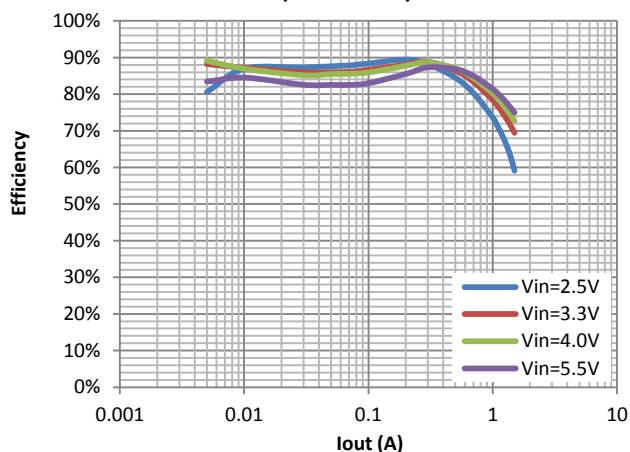
## PIN DESCRIPTION

NAME	PIN #		DESCRIPTION
	SOT23-5	DFN2*2-6	
EN	1	2	Enable pin for the IC. Drive the pin to high to enable the part, and low to disable
GND	2	5	Ground
SW	3	4	Inductor connection. Connect an inductor between SW and the regulator output.
VIN	4	3	Supply voltage.
FB	5	6	Feedback input. Connect an external resistor divider from the output to FB and GND to set the output to a voltage between 0.6V and Vin
NC	-	1	No Connection

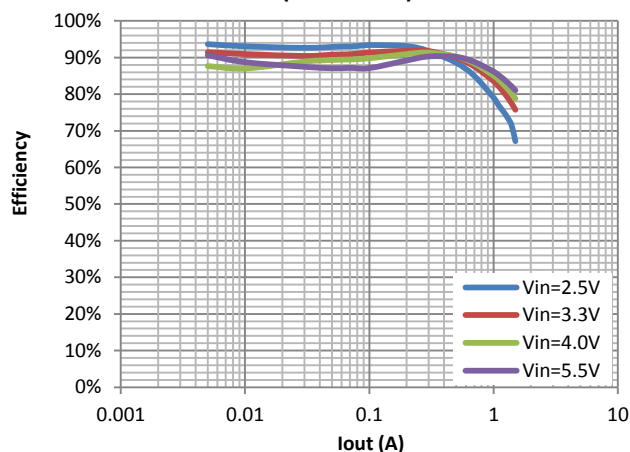
## ELECTRICAL PERFORMANCE

Tested under  $T_A=25^\circ\text{C}$ , unless otherwise specified

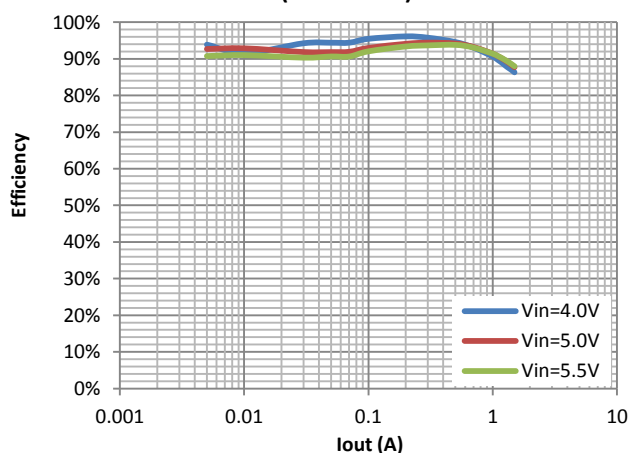
**Efficiency vs. Output Current**  
(Vout=1.2V)



**Efficiency vs. Output Current**  
(Vout=1.8V)

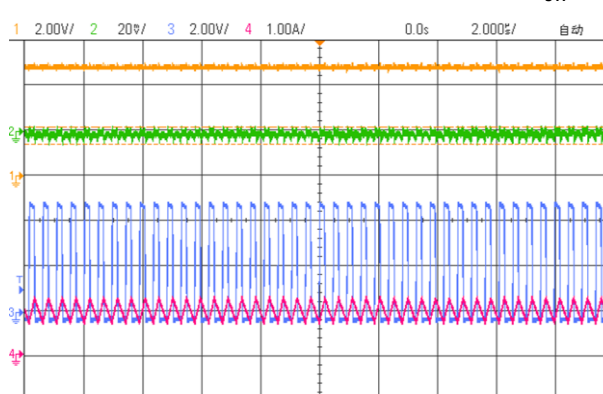


**Efficiency vs. Output Current**  
(Vout=3.3V)

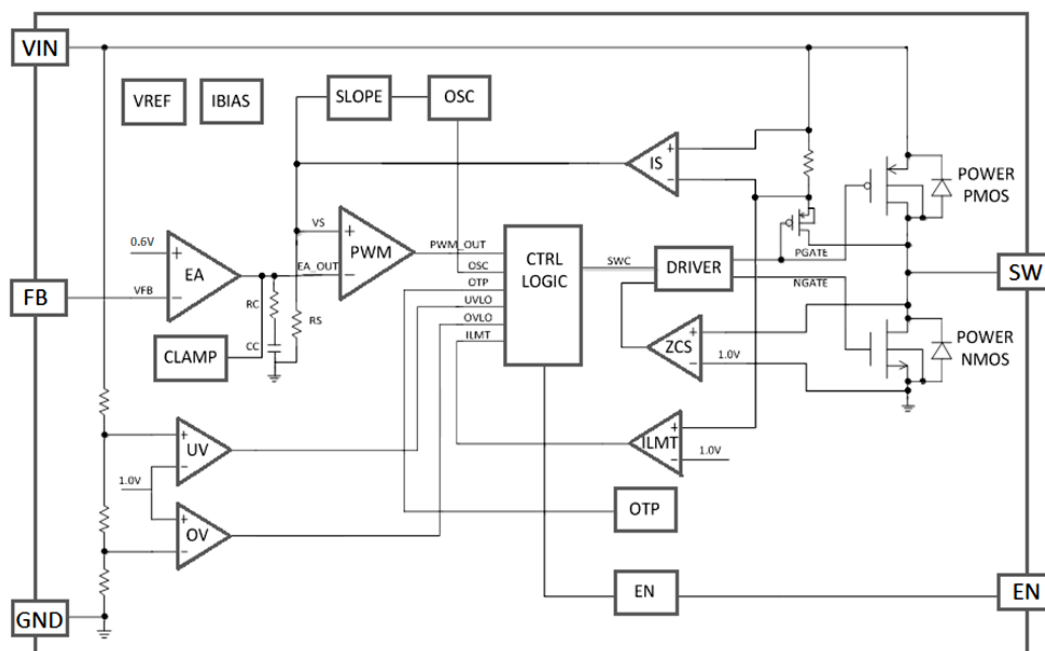


**Output Ripple and SW at 1A load**  
Vin=5V / Vout=1.8V

Ch1—Vin, Ch2—Vout, Ch3—Vsw, Ch4— $I_{SW}$



## BLOCK DIAGRAM



## DETAILED DESCRIPTION

The BL8028 high-efficiency switching regulator is a small, simple, DC-to-DC step-down converter capable of delivering up to 1.5A of output current. The device operates in pulse-width modulation (PWM) at 2MHz from a 2.6V to 6V input voltage and provides an output voltage from 0.6V to  $V_{IN}$ , making the BL8028 ideal for on-board post-regulation applications. An internal synchronous rectifier improves efficiency and eliminates the typical Schottky free-wheeling diode. Using the on resistance of the internal high-side MOSFET to sense switching currents eliminates current-sense resistors, further improving efficiency and cost.

### Loop Operation

BL8028 uses a PWM current-mode control scheme. An open-loop comparator compares the integrated voltage-feedback signal against the sum of the amplified current-sense signal and the slope compensation ramp. At each rising edge of the internal clock, the internal high-side MOSFET turns on until the PWM comparator terminates the on cycle. During this on-time, current ramps up through the inductor, sourcing current to the output and storing energy in the inductor. The current mode feedback system regulates the peak inductor current as a function of the output voltage

error signal. During the off cycle, the internal high-side P-channel MOSFET turns off, and the internal low-side N-channel MOSFET turns on. The inductor releases the stored energy as its current ramps down while still providing current to the output.

### Current Sense

An internal current-sense amplifier senses the current through the high-side MOSFET during on time and produces a proportional current signal, which is used to sum with the slope compensation signal. The summed signal then is compared with the error amplifier output by the PWM comparator to terminate the on cycle.

### Current Limit

There is a cycle-by-cycle current limit on the high-side MOSFET of 2.3A (typ). When the current flowing out of SW exceeds this limit, the high-side MOSFET turns off and the synchronous rectifier turns on. BL8028 utilizes a frequency fold-back mode to prevent overheating during short-circuit output conditions. The device enters frequency fold-back mode when the FB voltage drops below 100mV, limiting the current to 2.3A (typ) and reducing power dissipation. Normal operation resumes upon removal of the short-circuit condition.

## Soft-start

BL8028 has an internal soft-start circuitry to reduce supply inrush current during startup conditions. When the device exits under-voltage lockout (UVLO), shutdown mode, or restarts following a thermal-overload event, the soft-start circuitry slowly ramps up current available at SW.

## UVLO and Thermal Shutdown

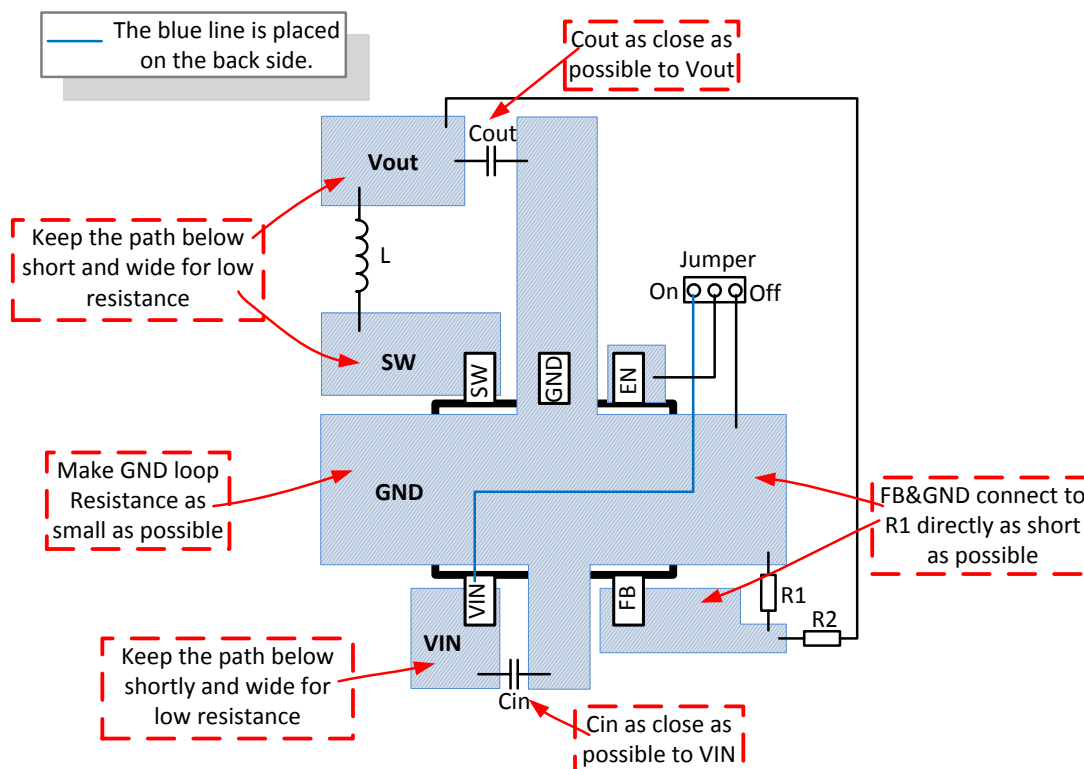
If VIN drops below 2.1V, the UVLO circuit inhibits switching. Once VIN rises above 2.2V, the UVLO clears, and the soft-start sequence activates. Thermal-overload protection limits total power dissipation in the device. When the junction temperature exceeds  $T_J = +160^{\circ}\text{C}$ , a thermal sensor forces the device into shutdown, allowing the die to cool. The thermal sensor turns the device on again after the junction temperature cools by  $15^{\circ}\text{C}$ , resulting in a pulsed output during continuous overload conditions. Following a thermal-shutdown condition, the soft-start sequence begins.

## Design Procedure

### Setting Output Voltages

Output voltages are set by external resistors. The FB\_threshold is 0.6V.

## LAYOUT GUIDE



$$R_{TOP} = R_{BOTTOM}[(V_{OUT} / 0.6) - 1]$$

## Input Capacitor Selection

The input capacitor in a DC-to-DC converter reduces current peaks drawn from the battery or other input power source and reduces switching noise in the controller. The impedance of the input capacitor at the switching frequency should be less than that of the input source so high-frequency switching currents do not pass through the input source. The output capacitor keeps output ripple small and ensures control-loop stability. The output capacitor must also have low impedance at the switching frequency. Ceramic, polymer, and tantalum capacitors are suitable, with ceramic exhibiting the lowest ESR and high-frequency impedance. Output ripple with a ceramic output capacitor is approximately as follows:

$$V_{RIPPLE} = I_{L(PEAK)}[1 / (2\pi \times f_{OSC} \times C_{OUT})]$$

If the capacitor has significant ESR, the output ripple component due to capacitor ESR is as follows:

$$V_{RIPPLE(ESR)} = I_{L(PEAK)} \times ESR$$

## PACKAGE OUTLINE

Package	SOT23-5	Devices per reel	3000	Unit	mm
---------	---------	------------------	------	------	----

Package specification:

The drawing shows the SOT23-5 package with the following dimensions:

- Overall width:  $2.9 \pm 0.2$  mm
- Distance between pins 1 and 5:  $1.9 \pm 0.2$  mm
- Pin pitch (between pins 1, 2, 3):  $0.4 \pm 0.1$  mm
- Pin pitch (between pins 4, 5):  $0.4 \pm 0.1$  mm
- Pin 1 width:  $0.95$  mm
- Pin 2 width:  $0.95$  mm
- Pin 3 width:  $0.95$  mm
- Pin 4 width:  $0.95$  mm
- Pin 5 width:  $0.95$  mm
- Maximum height:  $2.8 \pm 0.3$  mm
- Height from pin 1 to top:  $1.6 \begin{smallmatrix} +0.2 \\ -0.1 \end{smallmatrix}$  mm
- Side view dimensions:
  - Top width:  $1.1 \begin{smallmatrix} +0.2 \\ -0.1 \end{smallmatrix}$  mm
  - Top thickness:  $0.8 \pm 0.1$  mm
  - Bottom thickness:  $0.15 \begin{smallmatrix} +0.1 \\ -0.05 \end{smallmatrix}$  mm
  - Bottom thickness tolerance:  $0.2$  MIN.
  - Bottom width:  $0$  to  $0.1$  mm

Package	DFN2x2-6	Devices per reel	3000	Unit	mm
---------	----------	------------------	------	------	----

Package specification:

The drawing shows the DFN2x2-6 package with the following dimensions:

- Overall width:  $D$
- Overall height:  $E$
- Pin pitch:  $e$
- Pin width:  $b$
- Pin length:  $L$
- Distance between pins 1 and 2:  $2$
- Distance between pins 3 and 4:  $2$
- Distance between pins 5 and 6:  $2$
- Distance between pins 1 and 6:  $Nd$
- Distance between pins 1 and 2:  $D2$
- Distance between pins 3 and 4:  $D2$
- Distance between pins 5 and 6:  $D2$
- Distance between pins 1 and 2:  $E2$
- Distance between pins 3 and 4:  $E2$
- Distance between pins 5 and 6:  $E2$
- Distance between pins 1 and 2:  $A1$
- Distance between pins 3 and 4:  $A1$
- Distance between pins 5 and 6:  $A1$
- Distance between pins 1 and 2:  $A$
- Distance between pins 3 and 4:  $A$
- Distance between pins 5 and 6:  $A$
- Distance between pins 1 and 2:  $h$
- Distance between pins 3 and 4:  $h$
- Distance between pins 5 and 6:  $h$

EXPOSED THERMAL PAD ZONE

BOTTOM VIEW

SYMBOL	MILLIMETER		
	MIN	NOM	MAX
A	0.70	0.75	0.80
A1	—	0.02	0.05
b	0.25	0.30	0.35
c	0.18	0.20	0.25
D	1.95	2.00	2.05
D2	1.00	1.23	1.45
e	0.65BSC		
Nd	1.30BSC		
E	1.95	2.00	2.05
E2	0.50	0.68	0.85
L	0.25	0.30	0.40
h	0.10	0.15	0.20
载体尺寸 (mm)	63*43		