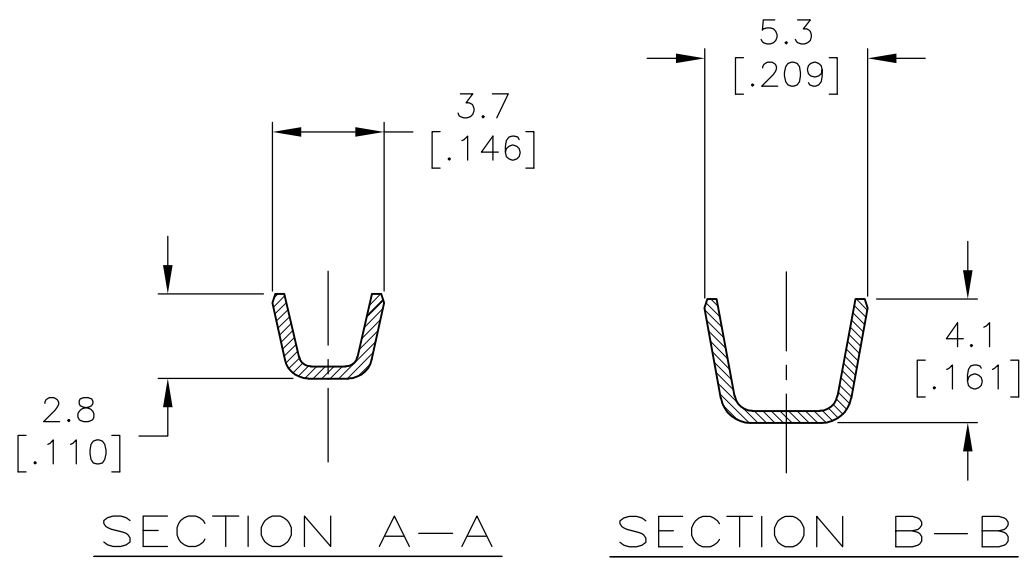
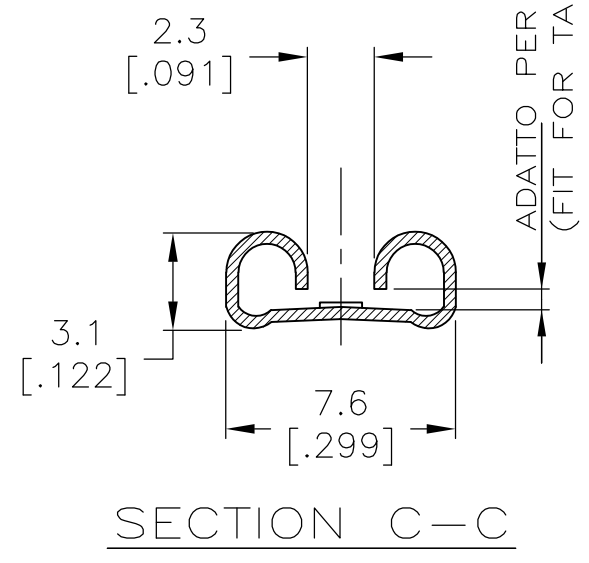
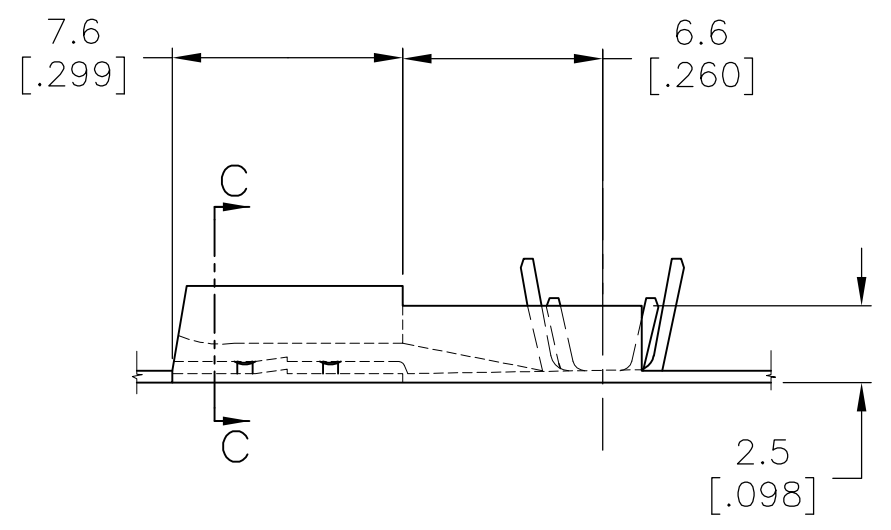
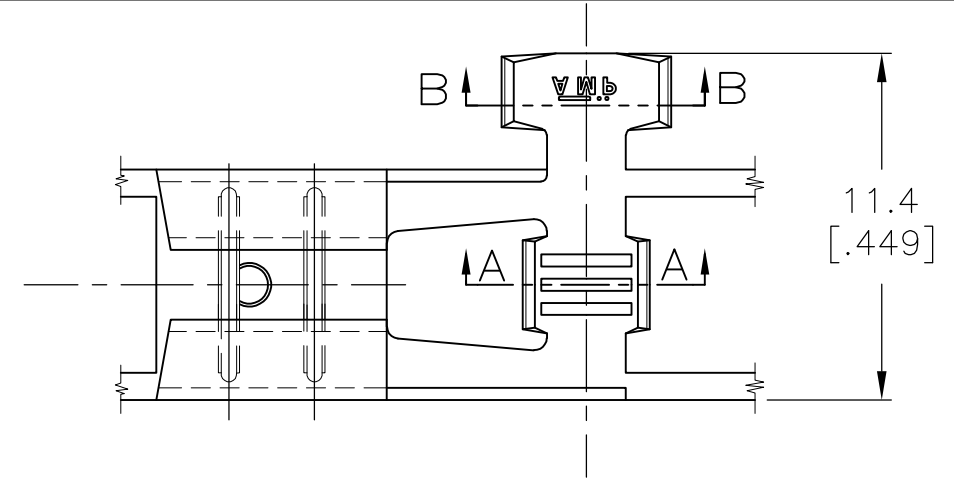


THIS DRAWING IS UNPUBLISHED. RELEASED FOR PUBLICATION
 © COPYRIGHT - By - ALL RIGHTS RESERVED.

LOC	DIST	REVISIONS			
P	LTR	DESCRIPTION	DATE	DWN	APVD
	BE	REVISED PER ECR-15-005258	02APR2015	NK	DC



- 1 NON DISPONIBILE DALL' AMP ITALIA (NOT AVAILABLE FROM AMP ITALY)
- 2 ADATTO PER AMP-O-MATOR (REVERSE REELED FOR MINI APPLICATOR)
- 3 BOBINA IN CARTONE CON CARTA INTERPOSTA QUANTITA' PER BOBINA: 3000 (CARTON REEL WITH INTERPOSED PAPER STRIP Q.TY PER REEL: 3000)
- 4 CON SPECIALE RIVESTIMENTO IN CARTA (WITH SPECIAL PAPER COVER)
- 5 BOBINA IN CARTONE CON CARTA INTERPOSTA QUANTITA' PER BOBINA: 2500 (CARTON REEL WITH INTERPOSED PAPER STRIP Q.TY PER REEL: 2500)
- 6 OBSOLETE
- 7 BOBINA IN CARTONE QUANTITA' PER BOBINA: 7000 (CARTON REEL Q.TY PER REEL: 7000)
- 8 OBSOLETE PARTS: OBSOLETE CIS STREAMLINING PER D.RENAUD/D.SINISI

REVISION	DESCRIPTION	MATERIAL	FINITURA (FINISH)	NUMERO (P/N)
1	ST. (TIN PLTD)	BR. F. (PH. BR.)		4-280050-7
2	-(UNPLTD)	BR. F. (PH. BR.)		4-280050-4
3	ST. (TIN PLTD)	OTTONE (BRASS)		4-280050-2
4	-(UNPLTD)	OTTONE (BRASS)		4-280050-1
5	-(UNPLTD)	BR. F. (PH. BR.)		2-280050-4
6	NICKELATO (NICKEL PLTD)	ACCIAIO (STEEL)		2-280050-3
7	ST. (TIN PLTD)	OTTONE (BRASS)		2-280050-2
8	-(UNPLTD)	OTTONE (BRASS)		2-280050-1
9	NICKELATO (NICKEL PLTD)	ACCIAIO (STEEL)		1-280050-3
10	ST. (TIN PLTD)	OTTONE (BRASS)		1-280050-2
11	ST. (TIN PLTD)	BR. F. (PH. BR.)		280050-7
12	-(UNPLTD)	BR. F. (PH. BR.)		280050-4
13	NICKELATO (NICKEL PLTD)	ACCIAIO (STEEL)		280050-3
14	ST. (TIN PLTD)	OTTONE (BRASS)		280050-2
15	-(UNPLTD)	OTTONE (BRASS)		280050-1
16	ST. (TIN PLTD)	BR. F. (PH. BR.)		180388-5
17	ST. (TIN PLTD)	OTTONE (BRASS)		180388-2
18	-(UNPLTD)	OTTONE (BRASS)		180388-1
NOTE	FINITURA (FINISH)	MATERIALE (MATERIAL)	NUMERO (P/N)	

DIAM. ISOLANTE (INS. DIA. RANGE)	RANGO FILO (WIRE RANGE)
2.3-3.3	0.5-1.5

THIS DRAWING IS A CONTROLLED DOCUMENT.		DWN	A. FROLA	28 APR 97
		CHK	G. TURCO	29 APR. 97
DIMENSIONS: mm [INCHES]		TOLERANCES UNLESS OTHERWISE SPECIFIED:		
		0 PLC	± -	
		1 PLC	± 0.3	
		2 PLC	± -	
		3 PLC	± -	
		4 PLC	± -	
MATERIAL		FINISH		
SEE TABLE		SEE TABLE		

APVD		NAME		TE Connectivity	
PRODUCT SPEC		.250 SERIES FLAG FASTON REC.			
APPLICATION SPEC		SIZE	CAGE CODE	DRAWING NO	RESTRICTED TO
WEIGHT		A3	00779	C-180388	-
CUSTOMER DRAWING		SCALE	SHEET	REV	
		NTS	1 OF 1	BE	