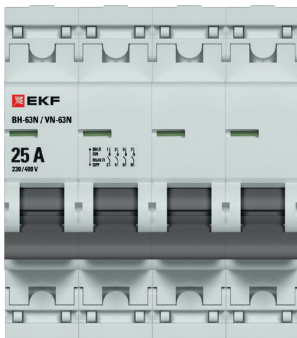




EKF



TECHNICAL MANUAL

Modular switch disconnecter
VN-63N, VN-125N EKF PROXIMA

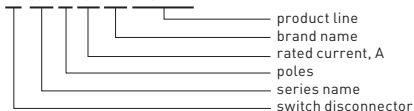
1 DESCRIPTION

The modular switch disconnectors VN-63N and VN-125N EKF PROXIMA are electromechanical switching devices used for close/open operations in electrical circuits.

The modular switch disconnectors are designed to switch non-inductive and inductive loads including motors protected with other switching devices. The switch disconnectors correspond to IEC 60947-3.

TYPE CODE

VN-63N 2P 25A EKF PROXIMA



2 TECHNICAL DATA

Table 1

Parameter	Value			
Rated voltage U_n , V	230/400			
Frequency f_n , Hz	50 / 60			
Rated current I_n , A	VN-63N: 16-63 VN-125N: 80-125			
Mechanical endurance, O-C cycles	20 000			
Electrical endurance, O-C cycles	10 000			
Maximum short-time current I_{cw} , kA (1s)	VN-63N: 1 VN-125N: 2			
Rated impulse withstand voltage U_{imp} , kV	6			
Rated making capacity (short-circuit) I_{cm} , kA	VN-63N: 6 VN-125N: 10			
Degree of protection	IP20			
Poles	1	2	3	4
Max. weight, kg (depending on the number of poles)	0,0725	0,145	0,2175	0,29
Minimum cross-section of connected wire, mm ²	1			
Maximum cross-section of connected wire, mm ²	VN-63N: 25 VN-125N: 35			
Operating temperature [°C]	from -25 to +55			

3 OVERALL DIMENSIONS

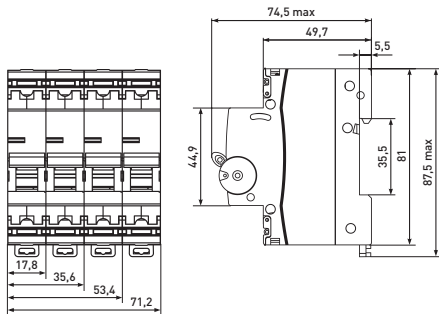


Fig. 1

4 INSTALLATION AND CONNECTION

The modular switch disconnectors shall be installed and connected by qualified electrical personnel.

The modular switch disconnectors shall be mounted onto 35 mm DIN rail.

The switch disconnectors power supply can be connected both from terminals 1, 3, 5, 7 and from terminals 2, 4, 6, 8.

Copper and aluminum wire connections are supported. Do not connect copper and aluminum wires to one terminal concurrently. Tightening torque: max. 3,5 N•m for copper wires; max. 2,2 N•m for aluminum-alloy wires, series 8000.

Position in space is vertical or horizontal on a vertical plane. If vertically installed, the upper position of the operating handle shall correspond to the «ON» status of the switch disconnector, while the handle lower position shall correspond to the «OFF» status of the switch disconnector in compliance with IEC 60447. If horizontally installed, the handle right position shall correspond to the «ON» status of the switch disconnector, while the handle left position shall correspond to the «OFF» status of the switch disconnector.

5 OPERATION CONDITIONS

Attitude above sea level: max. 2000 m.

Operating temperature: -25°C to +55°C.

6 DELIVERY SCOPE

The modular switch disconnectors VN-63N and VN-125N are supplied in one group package. For all available documentation, scan the QR-code on the insert or on the inside of the package.

7 SAFETY REQUIREMENTS

Do not operate switch disconnectors with visual mechanical damage.

By protection method against electric shock, the switch disconnectors belong to protection class «0» according to IEC 61140 and shall be installed in distribution enclosures with protection class «1» and higher.

8 MAINTENANCE

For maintenance, follow national safety rules for operation of electrical Installations.

Under normal operating conditions, visually inspect switch disconnectors, check the close/open operations and tighten the fastening screws every 6 months.

Discontinue operating switch disconnectors, if visual damage to the housing of the switch disconnectors is found.

9 STORAGE AND TRANSPORTATION

The modular switch disconnectors can be transported by any means of enclosed transport that ensures protection of packed products from mechanical and atmospheric impacts.

The modular switch disconnectors shall be stored indoors in the original package at the ambient temperature from -40°C to +55°C and relative humidity of max. 80% at +25°C.

10 DISPOSAL

Life-expired and failed products shall be disposed of in compliance with the national and local laws and regulations in force. To dispose of the product, send it to an authorized company for recycling in compliance with the national and local laws and regulations in force.

11 MANUFACTURER'S WARRANTY

Warranty period: 7 years from the date of sale specified in the sales receipt.

Shelf life: 7 years from the date of manufacture specified on the product package or housing.

Service life: 20 years.

Manufacturer: For information, refer to the product package.

Importer and EKF trademark service representative:

EKF ELECTRICAL SOLUTION – FZCO, Dubai Silicon Oasis, DDP, Building A2, Dubai, United Arab Emirates.

Importer and EKF trademark service representative on the territory

of the Russian Federation: OOO «Electroresheniya», Otradnaya st., 2b bld. 9, 5th floor, 127273, Moscow, Russia. Tel.: +7 (495) 788-88-15.

Importer and EKF trademark service representative on the territory

of the Republic of Kazakhstan: TOO «Energoresheniya Kazakhstan», Kazakhstan, Almaty, Bostandyk district, Turgut Ozal st., 247, apt 4.

12 CERTIFICATE OF ACCEPTANCE

The modular switch disconnectors VN-63N and VN-125N EKF PROXIMA have been approved for operation.

Date of manufacture:

For information, refer to the product package.

Technical control stamp



ekfgroup.com

v2.1