

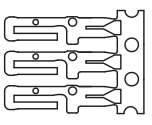
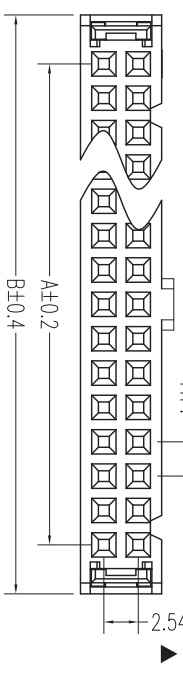
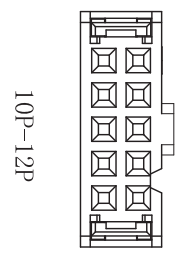
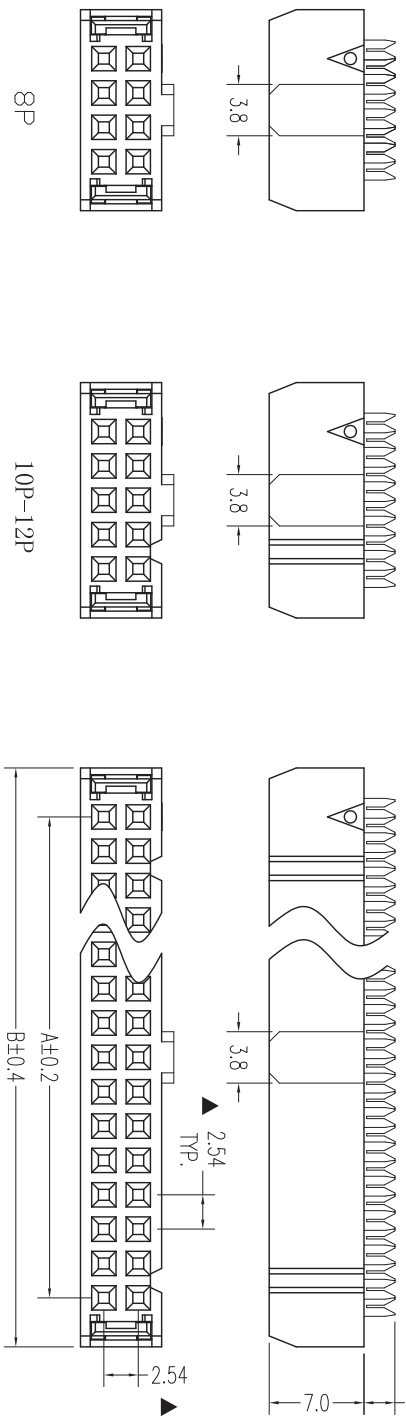
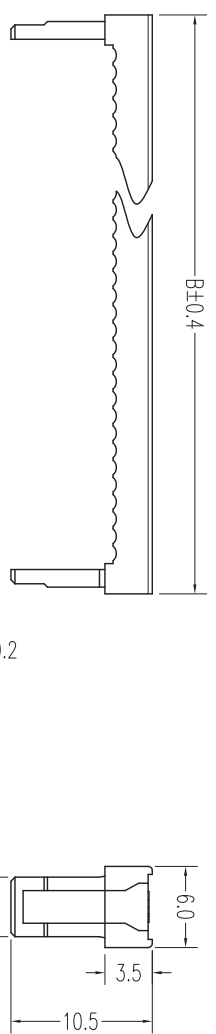
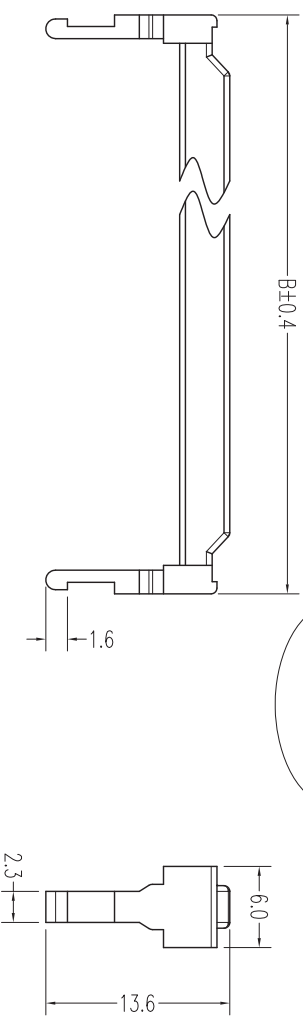
NUMBER OF POSITIONS	DIMENSION	
	A	B
08	7.62	14.86
10	10.16	17.40
12	12.70	19.94
14	15.24	22.48
16	17.78	25.02
18	20.32	27.56
20	22.86	30.10
22	25.40	32.64
24	27.94	35.18
26	30.48	37.72
30	35.56	42.80
34	40.64	47.88
36	43.18	50.42
40	48.26	55.50
44	53.34	60.58
50	60.96	68.20
60	73.66	80.90
64	78.74	85.98

NOTES:

Insulator Material: PBT, UL 94V-0
 Contact Plating: Gold flash over nickel
 Contact Material: Brass
 Current Rating : 1A AC,DC
 Contact Resistance: 20MΩ Max.
 Dielectric Withstanding: AC 500V
 Insulator Resistance: 1000MΩ Min.
 Operating Temp.: -40°C~+105°C



REV.	DESCRIPTION	DATE
A	RELEASE	2012/11/7



Mating Part Number		
3020-ALL	3010-XX-001-11-XX	3010-XX-001-13-XX
3010-XX-002-13-XX	3010-XX-003-13-XX	

UNLESS TOLERANCE		DRAW	BY	Cnc Tech, LLC
GENERAL	ANGLE	DESIGN BY		
X: ± 0.30	X°: ± 3.0°	CHECK BY		Port NO. 3030-XX-0103-00
.X ± 0.25	.X° ± 2.0°	APPROVE BY		
.XX ± 0.20	.XX° ± 1.0°			
.XXX ± 0.10	.XXX ± 0.5°	SCALE	1:1	Draw NO.:
		SHEET	1/1	REV: A
		UNIT	MM	

1 2 3 4 5 6