

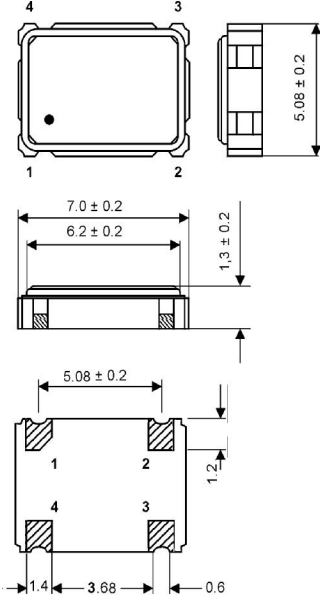


Clock Oscillator SMD-version

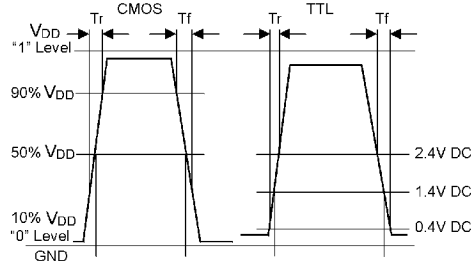
+3,3V

| | |
|-------------------------------------|--------------------------------------|
| model | KXO-V97T |
| frequency | 98,3040 MHz |
| frequency stability at -40° ~ +85°C | ± 100 ppm |
| operating temperature | -40° ~ +85°C |
| storage temperature | -40° ~ +85°C |
| symmetry | 50% ± 10% at ½ V _{DD} level |
| rise & fall time max. | 2,5 ns |
| "0" level max. | + 0,4V |
| "1" level min. | V _{DD} -0,5V |
| input voltage V _{DD} | + 3,3V ± 10% |
| input current | 30 mA typ., 40 mA max. |
| output load | 15 pF |
| start up time max. | 4 ms |
| tristate function | yes |
| disable delay time | 100 ns max. |
| enable delay time | 4 ms max. |
| random jitter | 7ps max. |
| peak to peak jitter | 40ps max. |
| contents of reel | 1000 pcs. |
| part no. | 12.94425 |

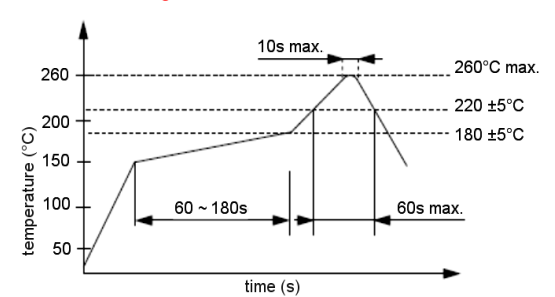
Dimensions (mm):



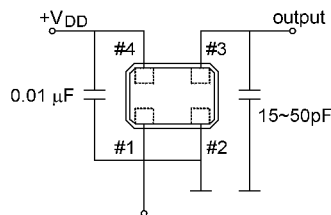
Output waveform:



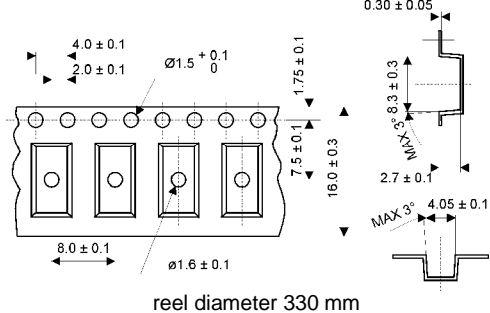
Reflow soldering condition:



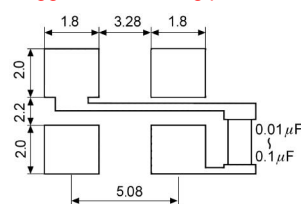
Test circuit:



Tape specifications:



Suggested soldering pad:



| PIN | CONNECTION |
|-----|----------------------|
| 1 | "L" (OV) "H" or OPEN |
| 2 | GND |
| 3 | Z OUTPUT |
| 4 | V _{DD} |

Z: high impedance