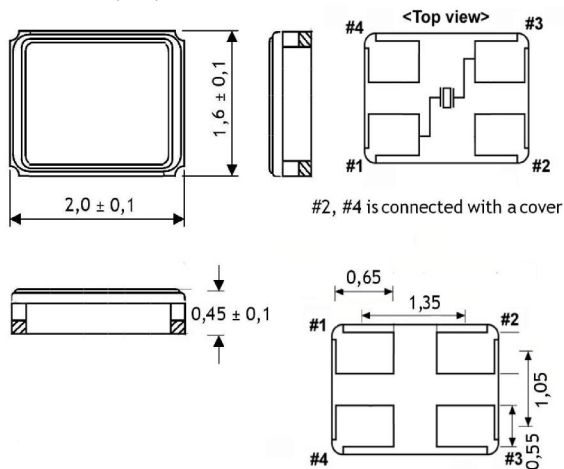


Quartz Crystal

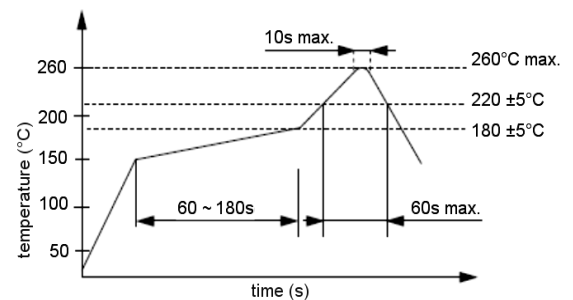
SMD-version

model	KX – 5E
frequency	25,0 MHz
mode	fundamental
operating temperature	-40° ~ +105°C
frequency tolerance at +25°C	± 30 ppm
temperature tolerance -40° ~ +105°C	± 120 ppm
load capacitance C_L	8 pF
series resonance R1 max.	100 Ohm
aging at +25°C (first year) max.	± 2 ppm
shunt capacitance C_0 max.	5,0 pF
drive level max.	50 μ W
contents of reel	1000 pcs.
AEC-Q200	yes
part no.	12.85567

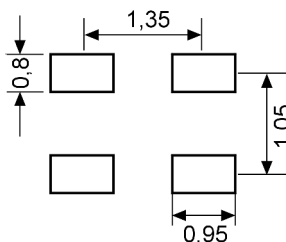
Dimensions (mm):



Reflow soldering condition:



Suggested soldering pad:



Tape specification:

