

6

5

4

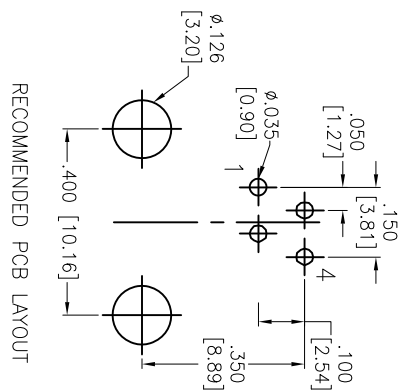
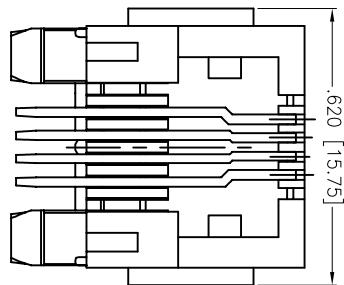
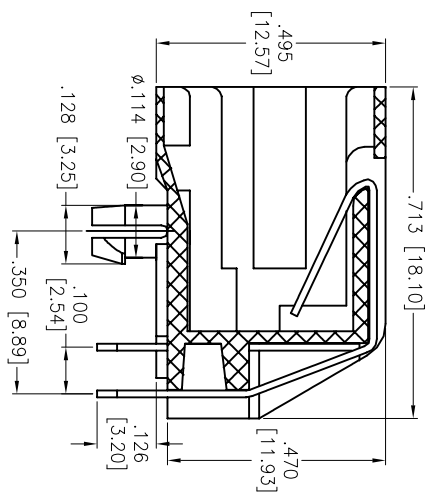
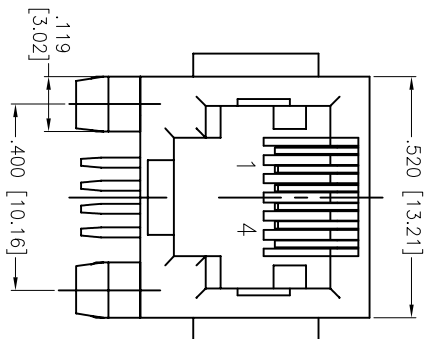
3

2

1

APPROVED: _____
 DATE: _____ TITLE: _____

Rev	AWO #	Description	Date	Appr
-		PRELIMINARY	09/13/00	
A		REDRAWN	02/01/12	



RECOMMENDED PCB LAYOUT

SPECIFICATIONS:

- Material: Insulator: PBT, rated UL 94V-0
- Insulator color: Black
- Contacts: Phosphor Bronze
- Plating: Gold over Nickel underplate on contact area, Tin over Copper underplate on PCB tails
- Electrical: Operating voltage: 125 VAC max
- Current rating: 1.5 Amps max
- Contact resistance: 20 mohms max
- Insulation resistance: 1,000 Mohms min @ 500 VDC
- Dielectric withstanding voltage: 1,000 VAC for 1 minute
- Temperature Rating: Operating temperature: -40°C to +85°C
- Environmental: Lead free, RoHS compliant.

X	PLATING
0	15 µin Gold
1	30 µin Gold
2	50 µin Gold

UNLESS OTHERWISE SPECIFIED
 ALL DIMENSIONS ARE IN INCHES [MM]
 TOLERANCES: EXCEPT AS NOTED
 INCHES HOLE SIZE DATE

ADAM TECH
 909 Rahway Avenue, Union, NJ 07083
 Phone: 908-687-5000 Fax: 908-687-5710
 MODULAR TELEPHONE JACK, 6P4C
 RIGHT ANGLE, PCB

APPROVALS	DATE	SIZE	PART NO.	REV.
DRAWN	LPH	09/13/00	MTJ-640X1	A
CHECKED				
APPROVED				

6

5

4

3

2

1