

INTRODUCTION:

Adam Tech Straight PCB tail D-Sub connectors are a popular interface for many I/O applications. Offered in 9, 15, 25, 37 and 50 positions they are an excellent choice for a low cost, sturdy, full metal body industry standard connection. These connectors are manufactured with precision stamped or machined turned contacts offering a choice of contact plating and a wide selection of mating and mounting options.

FEATURES:

- Industry standard compatibility
- Durable metal shell design
- Precision formed contacts
- Variety of Mating and mounting options

MATING CONNECTORS:

Adam Tech D-Subminiatures and all industry standard D-Subminiature connectors.

SPECIFICATIONS:

Material:

Standard insulator: PBT, 30% glass reinforced, rated UL94V-0
 Optional Hi-Temp insulator: Nylon 6T
 Insulator Colors: Black (White optional)
 Contacts: Phosphor Bronze
 Shell: Steel, Tin or Zinc plated
 Hardware: Brass, Nickel plated

Contact Plating:

Gold flash (15 and 30 μ in optional) over Nickel underplate overall

Electrical:

Operating voltage: 250V AC / DC max.
 Current rating: 5 Amps max.
 Contact resistance: 20 m Ω max. initial
 Insulation resistance: 5000 M Ω min.
 Dielectric withstanding voltage: 1000V AC for 1 minute

Mechanical:

Insertion force: 0.75 lbs max
 Extraction force: 0.44 lbs min

Temperature Rating:

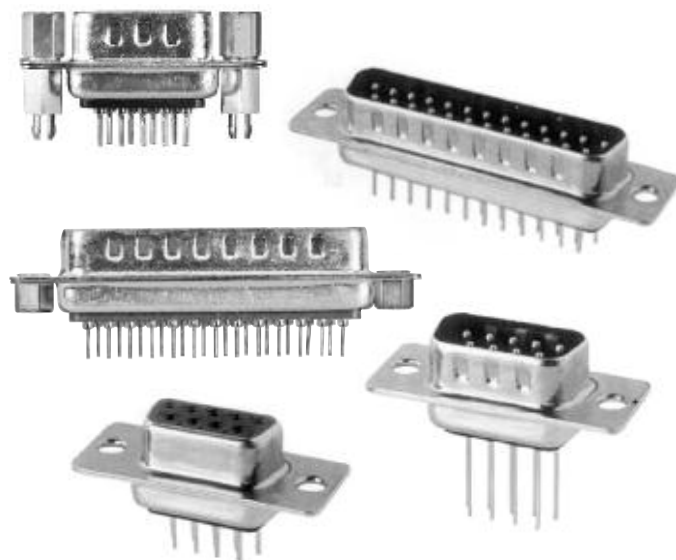
Operating temperature: -55°C to +105°C
 Soldering process temperature:
 Standard insulator: 235°C
 Hi-Temp insulator: 260°C

PACKAGING:

Anti-ESD plastic trays

APPROVALS AND CERTIFICATIONS:

UL Recognized & CSA Certified, File no. E224053



ORDERING INFORMATION

DB25

ST

1

SL

SHELL SIZE/ POSITIONS

DE09 = 9 Position
 DA15 = 15 Position
 DB25 = 25 Position
 DC37 = 37 Position
 DD50 = 50 Position

CONTACT TYPE

PT = Plug, Straight PCB Tail, Standard Profile
 ST = Socket, Straight PCB Tail, Standard Profile
 PE = Plug, Straight PCB Tail, High Profile
 SE = Socket, Straight PCB Tail, High Profile

TAIL LENGTH

1 = Standard tail length for .062"-.125" PCB's
 (E = .189")
 2 = Wire wrap tail
 (E = .512")

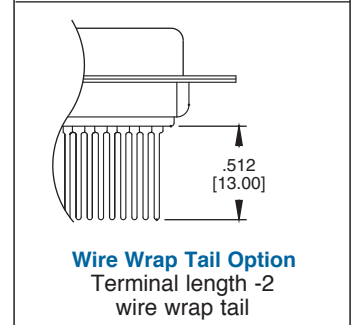
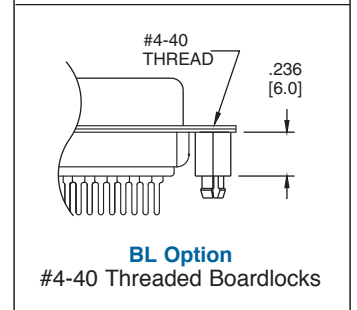
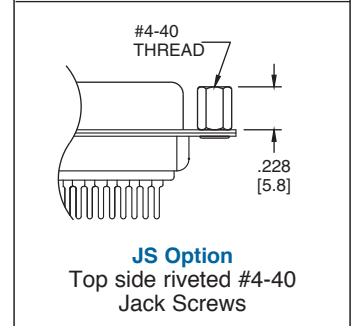
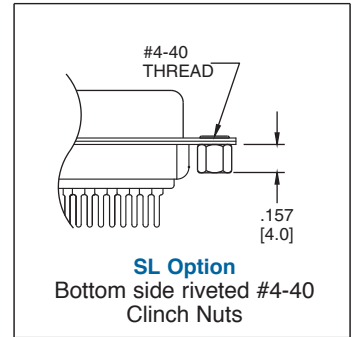
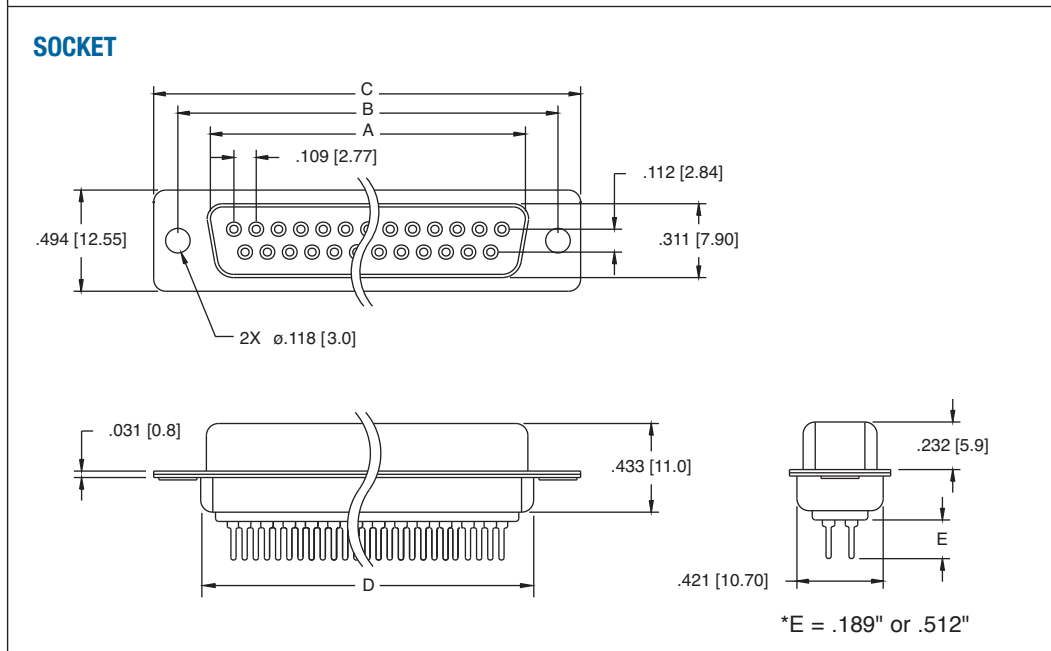
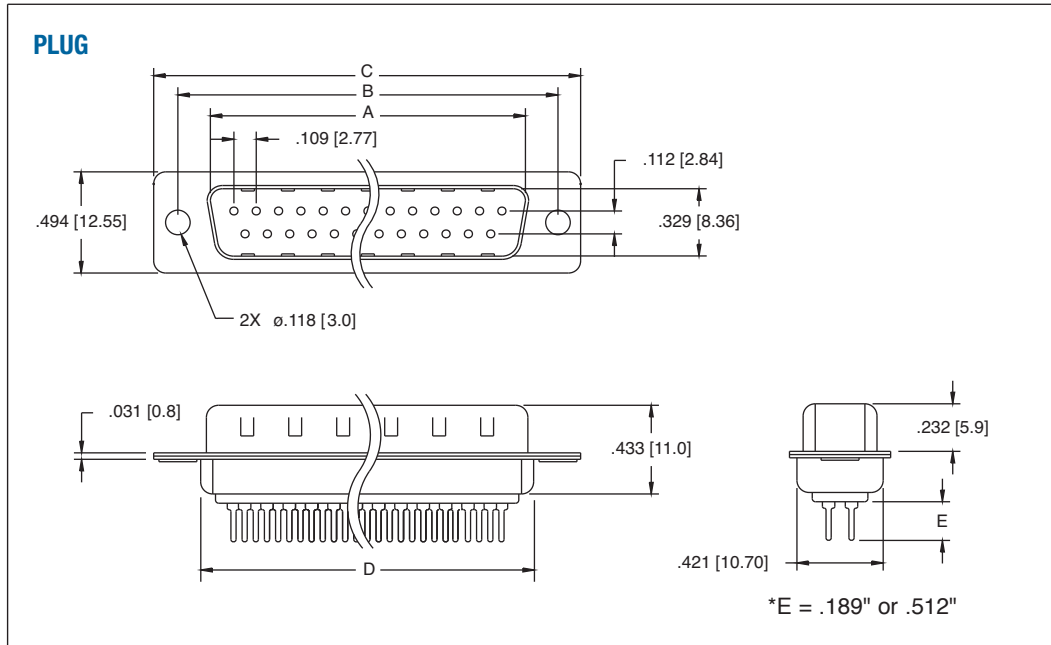
MOUNTING OPTIONS

Blank = .120" Mounting Holes
 SL = Bottom side riveted #4-40 Clinch Nuts
 JS = Top side riveted #4-40 Jackscrews
 BL = Riveted #4-40 Internal Threaded Standoffs with Boardlocks
 R = Riveted Round Jack Screws
 JSL = Bottom side riveted #4-40 Clinch Nuts with Jack Screws installed

OPTIONS:

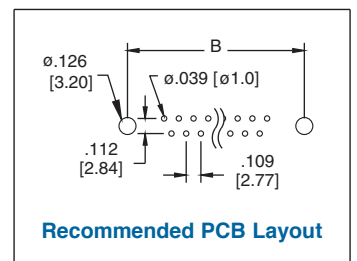
Add designator(s) to end of part number
 15 = 15 μ in gold plating in contact area
 30 = 30 μ in gold plating in contact area
 EMI = Ferrite filtered version for EMI / RFI suppression (Page 114)
 HT = Hi-Temp insulator for hi-temp soldering processes up to 260°C

MOUNTING OPTIONS



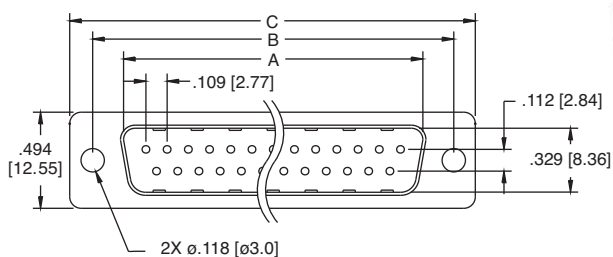
Unit: Inch [mm]

Positions	PLUG	SOCKET	DIMENSIONS		
	A	A	B	C	D
9	.666 [16.92]	.643 [16.33]	.984 [24.99]	1.213 [30.81]	.756 [19.20]
15	.994 [25.25]	.971 [24.66]	1.312 [33.32]	1.541 [39.14]	1.091 [27.70]
25	1.534 [38.96]	1.511 [38.38]	1.852 [47.04]	2.088 [53.04]	1.618 [41.10]
37	2.182 [55.43]	2.159 [54.84]	2.500 [63.50]	2.729 [69.32]	2.256 [57.30]
50	2.079 [52.81]	2.064 [52.43]	2.406 [61.11]	2.637 [67.00]	2.169 [55.10]

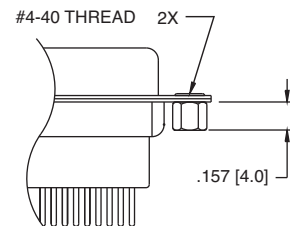
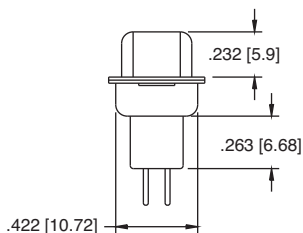
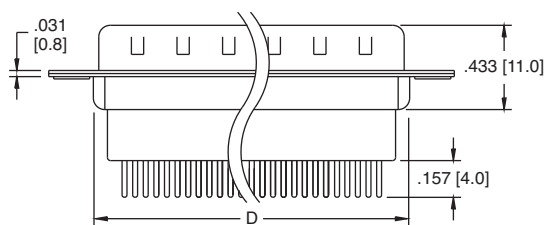


MOUNTING OPTIONS

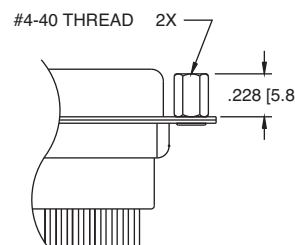
PLUG



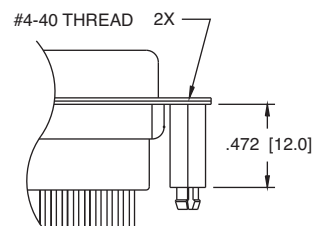
DB25-PE-1



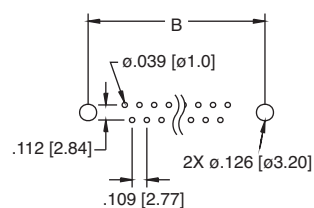
SL Option
Bottom side riveted #4-40
Clinch Nuts



JS Option
Top side riveted #4-40
Jack Screws

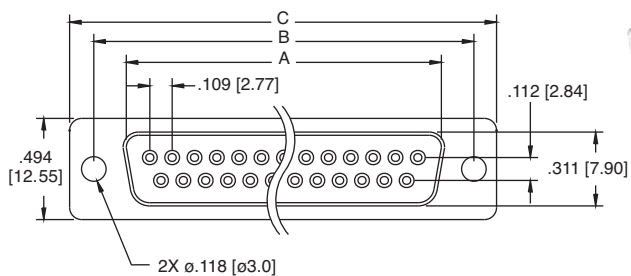


BL Option
#4-40 Threaded Boardlocks

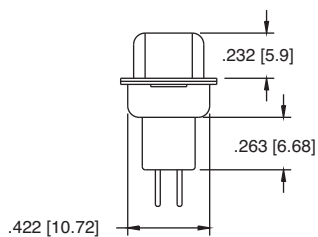
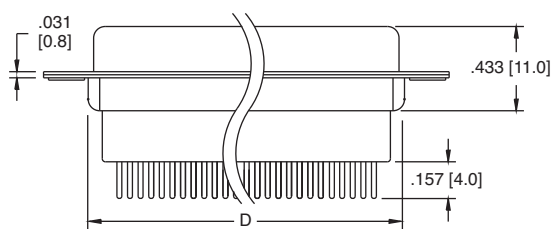


Recommended PCB Layout

SOCKET



DB25-SE-1



Unit: Inch [mm]

Positions	PLUG	SOCKET	DIMENSIONS		
	A	A	B	C	D
9	.666 [16.92]	.643 [16.33]	.984 [24.99]	1.213 [30.81]	.756 [19.20]
15	.994 [25.25]	.971 [24.66]	1.312 [33.32]	1.541 [39.14]	1.091 [27.70]
25	1.534 [38.96]	1.511 [38.38]	1.852 [47.04]	2.088 [53.04]	1.618 [41.10]
37	2.182 [55.43]	2.159 [54.84]	2.500 [63.50]	2.729 [69.32]	2.256 [57.30]
50	2.079 [52.81]	2.064 [52.43]	2.406 [61.11]	2.637 [67.00]	2.169 [55.10]