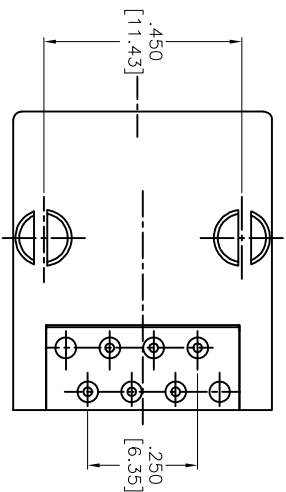
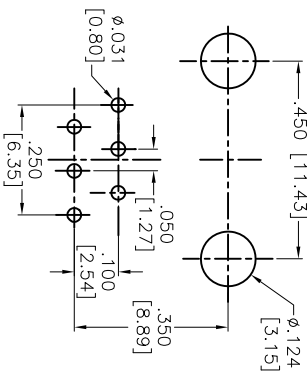
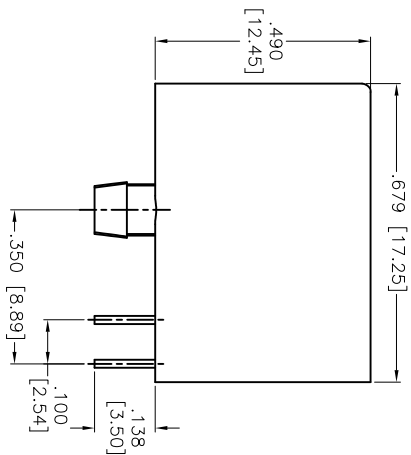
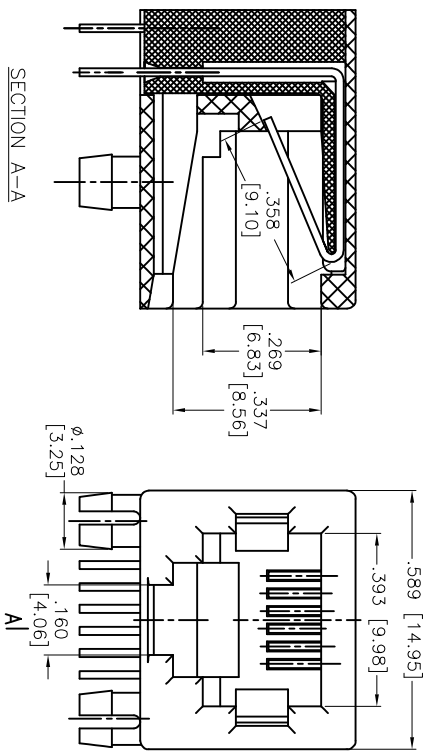


APPROVED: _____
 DATE: _____ TITLE: _____

Rev	AWO #	Description	Date	Appr
-		RELEASED	10/4/04	
A		REDRAWN	11/25/13	AV/NP



RECOMMENDED PCB LAYOUT

SPECIFICATIONS:

Material:

- Insulator: PBT, rated UL 94V-0
- Insulator color: Black
- Contacts: Phosphor Bronze
- Contacts Plating: Round contact
- Gold over Nickel underplate overall
- Flat contact
- Gold Flash Nickel underplate on contact area,
- Tin over Nickel underplate on solder tails

Electrical:

- Voltage rating: 125 VAC
- Current rating: 1.5 Amp
- Contact resistance: 20 mohms max
- Insulation resistance: 1000 Mohms min @ 500 VDC
- Dielectric withstanding voltage: 1000 VAC or 1500 VDC for 1 minute
- Temperature Rating: Operating temperature: -40°C to +85°C
- Environmental: Lead free, RoHS compliant

ADAM TECH

909 Railway Avenue, Union, NJ 07083
 Phone: 908-687-5000 Fax: 908-687-5710

**MODULAR TELEPHONE JACK, 6P6C
 RIGHT ANGLE, PCB**

UNLESS OTHERWISE SPECIFIED ALL DIMENSIONS ARE INCHES [MM]	
TOLERANCES: EXCEPT AS NOTED	
INCHES	HOLES
.X ± .10	Ø.X ± .10
.XX ± .020	Ø.XX ± .015
.XXX ± .015	Ø.XXX ± .010
APPROVALS	DATE
DRAWN SS	10/4/04
CHECKED	
APPROVED	

SIZE	PART NO.	REV.
X	MTJ-669X1	A
REF:	S00006C	SCALE: NTS
SHEET 1 OF 1		