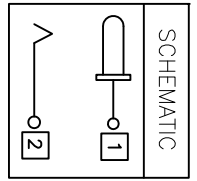
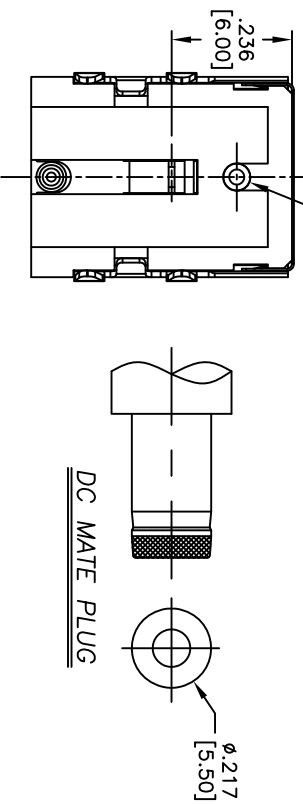
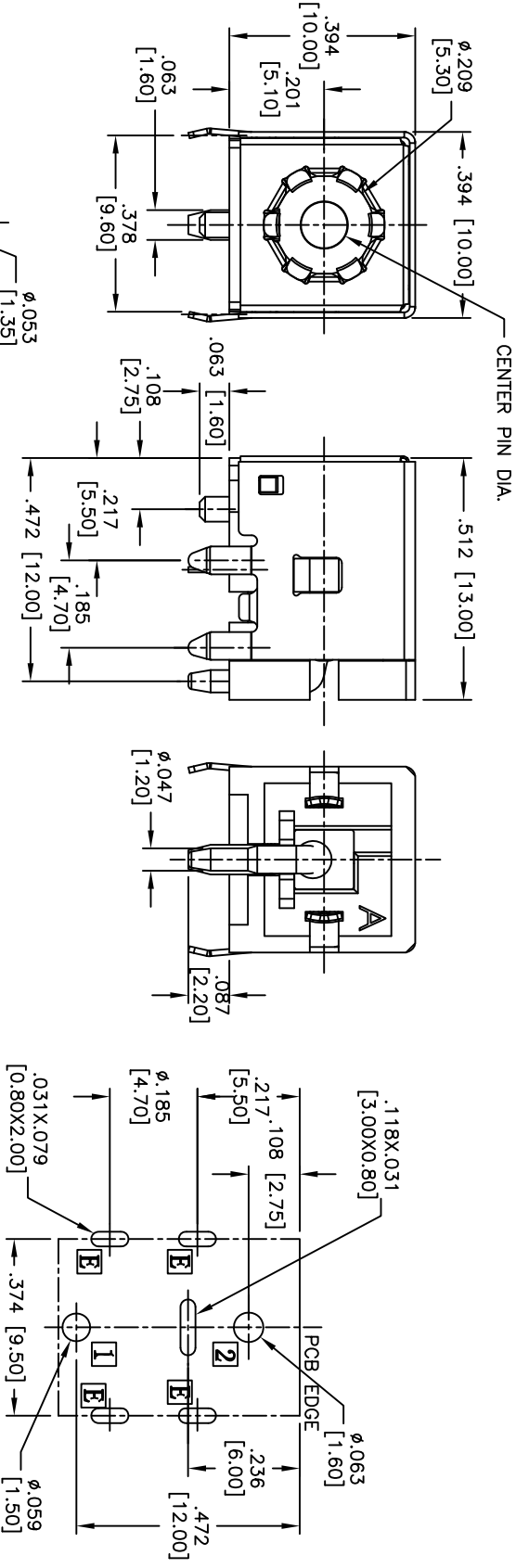


Rev	AWO#	Description	Date	Appr
-		RELEASED	4/18/11	
A		REVISED SPEC.	3/21/12	
B		UPDATE SPEC.	3/7/16	AV/LW

APPROVED: \_\_\_\_\_ TITLE: \_\_\_\_\_  
 DATE: \_\_\_\_\_



PART NO.	CENTER PIN DIA.
ADC-096-1	$\phi .079$ [2.00]
ADC-096-2	$\phi .098$ [2.50]
ADC-096-9	$\phi .065$ [1.65]

RECOMMENDED PCB LAYOUT

SPECIFICATIONS:

Material: Insulator: Hi-temp thermoplastic, rated UL 94V-0  
 Insulator color: Black  
 Contacts: Copper Alloy, Silver plated  
 Center Pin: Zn alloy, Nickel plated  
 Shield: Stainless steel  
 Electrical:  
 Operating voltage: DC 20V max.  
 Current rating: 4 Amps  
 Contact resistance: 30 mohms max.  
 Insulation resistance: 100 Mohms min.  
 Dielectric withstanding voltage: 500 VAC for 1 minute  
 Temperature Rating:  
 Operating temperature: -20°C to +70°C  
 Environmental:  
 Lead free, RoHS compliant



UNLESS OTHERWISE SPECIFIED ALL DIMENSIONS ARE IN INCHES [MM] TOLERANCES: EXCEPT AS NOTED			
.X	$\pm .10$	$\phi$ XX	$\pm .10$
.XX	$\pm .020$	$\phi$ XXX	$\pm .015$
.XXX	$\pm .015$	$\phi$ XXXX	$\pm .010$
APPROVALS			
DRAWN	DY	DATE	4/18/11
CHECKED			
APPROVED			

**ADAM TECH**  
 909 Railway Avenue, Union, NJ 07083  
 Phone: 908-687-5000 Fax: 908-687-5710

TITLE: DC POWER JACK, 1.65mm, 2.00mm, 2.50mm, CENTER PIN

SIZE	PART NO.	REV.
X	ADC-096-X	B

REF: S0002C SCALE: NTS SHEET 1 OF 1