

6

5

4

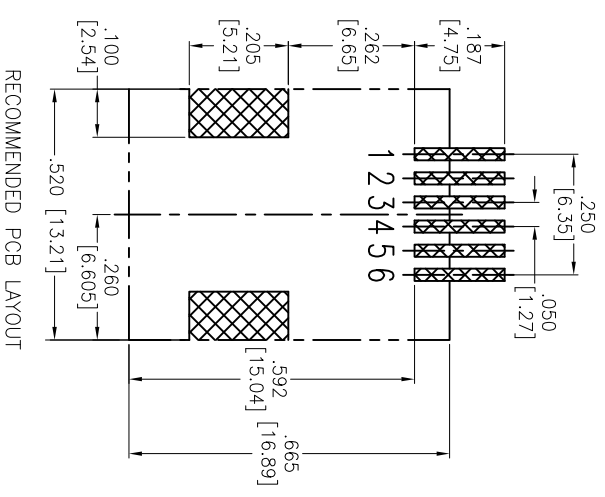
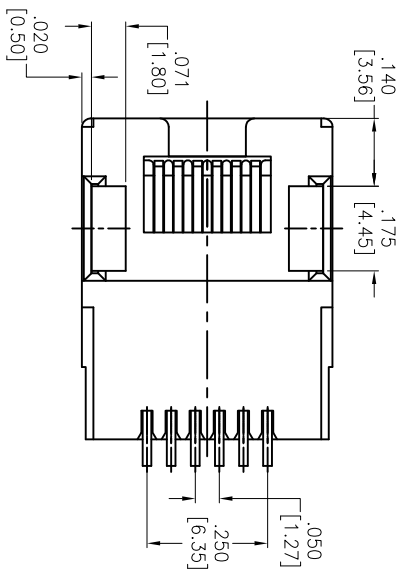
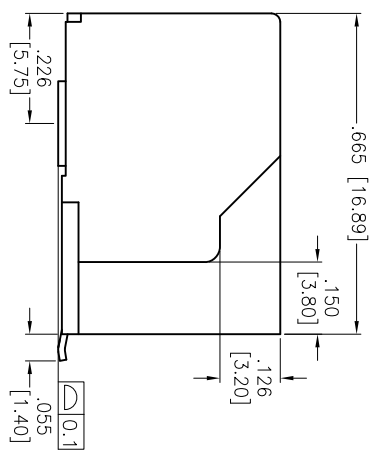
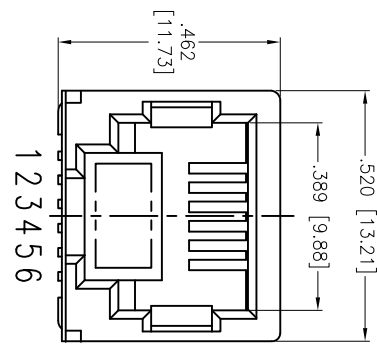
3

2

1

APPROVED: \_\_\_\_\_  
 DATE: \_\_\_\_\_ TITLE: \_\_\_\_\_

Rev	AWO #	Description	Date	Appr
-		RELEASED	6/26/06	
A		REDRAWN	06/20/13	
B		UPDATE SPEC.	6/20/19	LHT/TW
C		UPDATE DRAWING	5/4/20	AV/KL



UNLESS OTHERWISE SPECIFIED  
 ALL DIMENSIONS ARE IN INCHES  
 TOLERANCES: EXCEPT AS NOTED  
 INCHES

.X	± .10	ØXX	± .10
.XX	± .020	ØXXX	± .015
.XXX	± .015	ØXXXX	± .010

APPROVALS

DRAWN	SS	DATE	6/26/06
CHECKED			
APPROVED			

**SPECIFICATIONS:**  
 Material: Insulator: Hi-temp thermoplastic, rated UL 94V-0  
 Insulator color: Black  
 Contacts: Phosphor Bronze  
 Hold Down: Copper Alloy, Tin plated  
 Plating: Gold over Nickel underplate on contact area  
 Gold flash over Nickel underplate on solder tails  
 Electrical:  
 Voltage Rating: 150 VAC max  
 Current rating: 1.5 Amps max  
 Contact Resistance: 20 mohms max  
 Insulation resistance: 500 Mohms min @500 VDC  
 Dielectric withstanding voltage: 1000 Vrms for 1 minute  
 Temperature Rating: Operating temperature: -40°C to +85°C  
 Environmental: Lead free, RoHS compliant.

**ADAM TECH**  
 INTERCONNECTS  
 909 Rahway Avenue,  
 Union, NJ 07083  
 Phone: 908-687-5000  
 Fax: 908-687-5710

**MODULAR TELEPHONE JACK, 6P6C**  
 SMT, COLOR BLACK, X GOLD

6

5

4

3

2

1

SIZE	PART NO.	REV.
X	MTJ-66WAX1	C
REF:	S00063T	SHEET 1 OF 1
SCALE:	NTS	