

Datasheet

RS PRO M12 Male Straight 4 Pin D-Coded Screw Type Connector

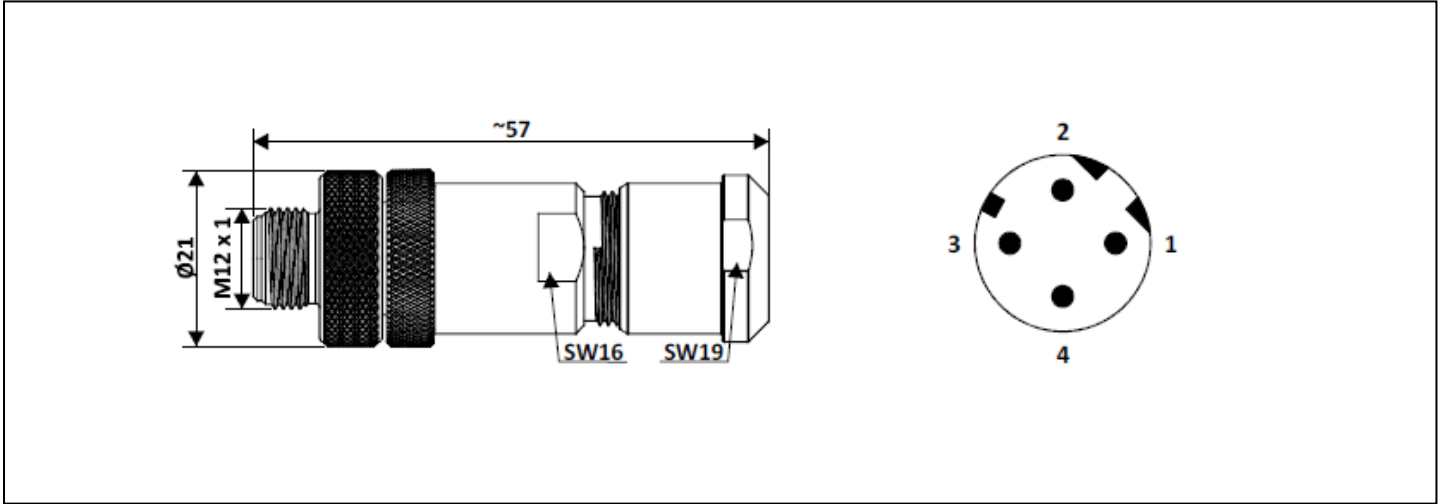
Part No: 2017154



Technical Specifications:

Rated Operational Voltage	250 V
Current Rating	4 A
Insulation Resistance	≥100 MΩ
Temperature Range	-25° ... +75°C
Coding	D-Coded
Degree of Protection	IP67
Housing Material	Brass Nickel-plated
Contact	Cu-Zn
Contact Plating	Nickel-plated
Contact Carrier	Nylon 66
O-ring	Neoprene
Coupling Nut	Brass Nickel-Plated
Housing Colour	Silver
Termination	Screw Type (1 Sqmm Max.)

Pole	4
Cable Diameter	3.5 - 6 mm (PG7)



Quality Standard: IEC 61076-2-101



Type Approved
Safety
Regular Production
Surveillance



www.tuv.com
ID 111210483



sembly Instruction

