
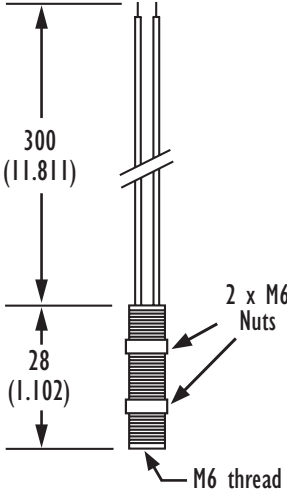



Part Number : PTAP 470/30
Proximity Switch - Reed Switch based
Threaded - Normally Open Contacts - Suggested Magnet: PRM
Product Data Sheet

PICTURE	DIMENSIONS	Applications Include		
	 <p>Drawings not to scale All dimensions in mm(inches) nominal</p>	<ul style="list-style-type: none"> ● Position and limit sensing. ● Linear actuators . ● Security system switch. ● Door Switch. 		
<p>✓RoHS Compliant</p>		<table border="1"> <thead> <tr> <th data-bbox="962 712 1536 748">Options</th> </tr> </thead> <tbody> <tr> <td data-bbox="962 763 1536 1003"> <ul style="list-style-type: none"> ● M6 Thread. ● Custom cable lengths, strip lengths, cable types, terminations. ● If you do not see what you need, jusk ask, as there is a strong possibility we can do it ! </td> </tr> </tbody> </table>	Options	<ul style="list-style-type: none"> ● M6 Thread. ● Custom cable lengths, strip lengths, cable types, terminations. ● If you do not see what you need, jusk ask, as there is a strong possibility we can do it !
Options				
<ul style="list-style-type: none"> ● M6 Thread. ● Custom cable lengths, strip lengths, cable types, terminations. ● If you do not see what you need, jusk ask, as there is a strong possibility we can do it ! 				

SPECIFICATION	
Contact Form / Style	Normally Open
Switching Capacity (Resistive)	10 W/VA Max.
Switching Voltage	400 VAC Max.
Switching Current	0.5 A. Max.
Carry Current	1.0 A. Max.
Breakdown Voltage	600 VDC Min.
Contact Resistance	150 mOhms Max.
Switching Distance	3 mm Min.
Operating Temperature Range	-20°C +85°C
Storage temperature	-25°C +90°C
Case Material	Black Acetal
Cable	2 x Round 0.22mm ² PVC Insulated Grey

Did you know we also sell?



Float Switches Magnets Movement Sensors Tilt / Tip Switches Acceleration / Shock Switches Reed Relays Solid State Relays

Rev. No.	Revision Note	Date	Signature
2	Datasheet Redesign	28-07-06	LG