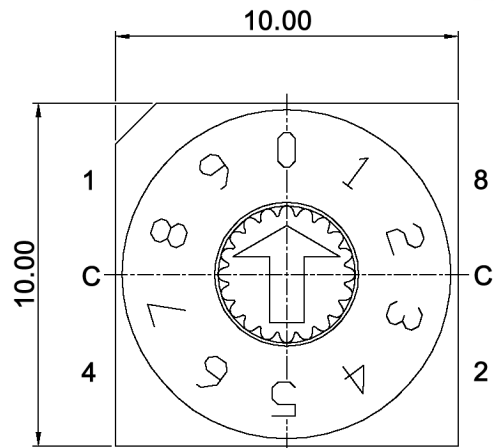
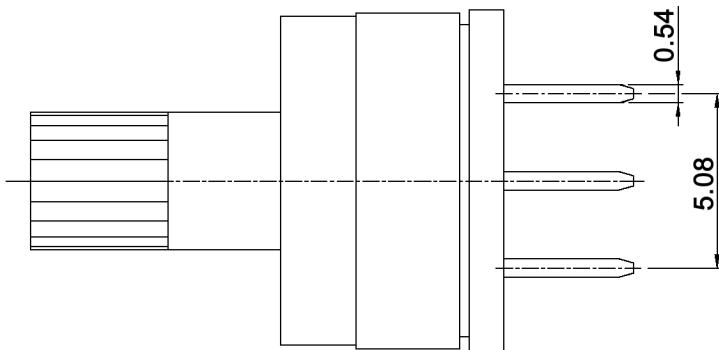
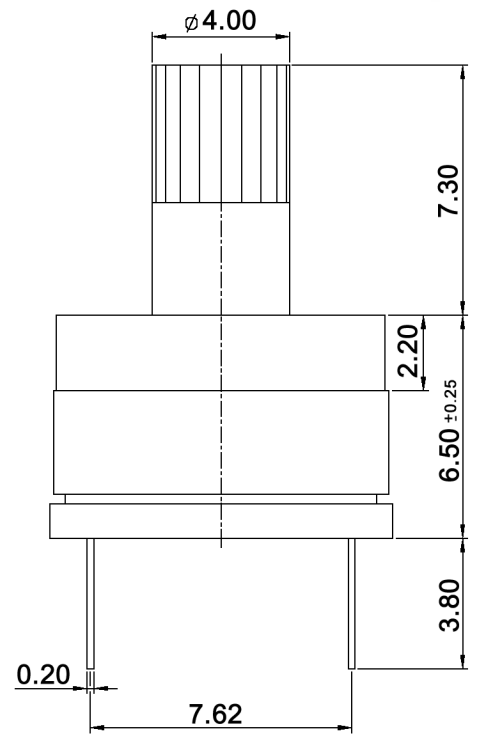
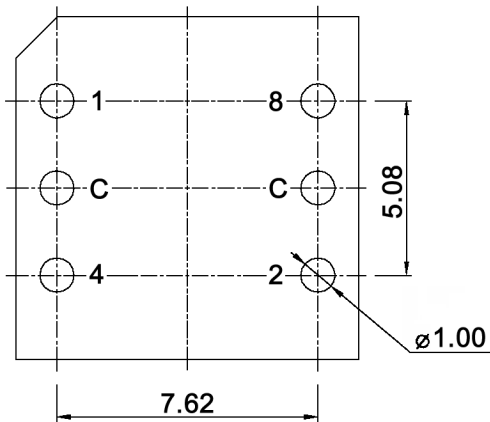


P.C.B. DIMENSION



Compliance: RohS III (2015/863/EU)

Tolerances:			Date	Name	DRS 61010
			04/07	dr	
Material	02/21	dr			
Soldering conditions	01/11	dr			
IP rating	07/09	dr			
Operating temperature	11/08	dr			
Coding scheme	02/08	dr	knitter-switch		30 11 09
Temperatures	01/08	dr			
Modifications	Date	Name			Page 1/2

Specifications:

Contact rating: switching: 150mA, 42V DC
 non-switching: 200mA, 42V DC
Contact resistance: 80mOhm max.
Insulation resistance: 100MOhm min.
Mechanical life: 10 000 cycles
Operating force: 700gf max.
Operating temperature: -40°C to +85°C
Storage temperature: -40°C to +85°C
Soldering conditions: pre-heat: max. 120°C, max. 70sec.
 wave soldering: max. 260°C, max. 10sec.
IP rating: IP67
Material: Cover: PA66, white
 O-ring: silicone, black
 Actuator: POM, gray
 PCB: epoxy
 Base: PA66, black
 Terminal / contact: phosphor bronze, min. 0.07µm gold plated
 over min. 0.1µm nickel

BCD

		Real coded				
		C	1	2	4	8
10 P o s i t i o n s	0	●				
	1	●	●			
	2	●		●		
	3	●	●	●		
	4	●			●	
	5	●	●		●	
	6	●		●	●	
	7	●	●	●	●	
	8	●				●
	9	●	●			●

Compliance: RohS III (2015/863/EU)

Tolerances:			Date	Name	DRS 61010
			04/07	dr	
Material	02/21	dr			
Soldering conditions	01/11	dr			
IP rating	07/09	dr			
Operating temperature	11/08	dr	knitter-switch		30 11 09
Coding scheme	02/08	dr			
Temperatures	01/08	dr			
Modifications	Date	Name			Page 2/2