

## The powerful nylon plug with 4-way expansion



Wall consoles



Curtain rails

### BUILDING MATERIALS

- Concrete
- Vertically perforated brick
- Hollow blocks made from lightweight concrete
- Cavity floor slabs made from bricks and concrete
- Perforated sand-lime brick
- Solid sand-lime brick
- Natural stone with dense structure
- Aerated concrete
- Solid panel made from gypsum
- Solid brick made from lightweight concrete
- Solid brick

### CERTIFICATES



### ADVANTAGES

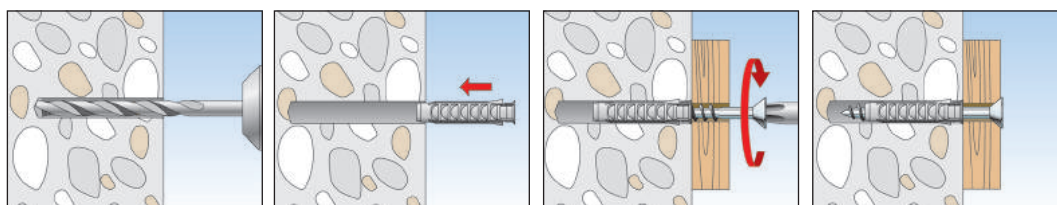
- The 4-way expansion provides the optimum force distribution in the material, and offers high load-bearing capacities in solid and hollow building materials.
- The expansion-free plug neck prevents the creation of expansion forces on the material surface whilst screwing in the screw. This helps to prevent damage to tiles and plaster.
- The pronounced rim prevents the plug from slipping into the drill hole, thus allowing for a simple installation.
- The greater anchorage depth of the SX 6x50, 8x65 and 10x80 means that the plug is especially suited to fixings in hollow building materials, aerated concrete and to bridge plaster.

### APPLICATIONS

- Lighting
- Wardrobes
- Motion detectors
- Skirting
- Light shelves
- Mirror cabinets
- Letter boxes
- TV consoles
- Trellis
- Folding shutters
- Bath and toilet installations

### 356FUNCTIONING

- The SX is suitable for pre-positioned and push-through installation.
- When turning in the screw, the SX expands in four directions, thus providing a secure anchoring in the building material.
- The required screw length is given by: Plug length + fixture thickness + 1 x screw diameter.
- Suitable for wood, chipboard and spacing screws (fischer ASL, see page 356).



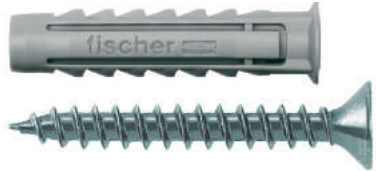
## TECHNICAL DATA



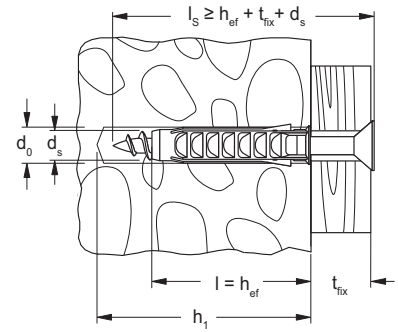
Plug **SX** with rim



Plug **SX** - with greater anchorage depth, without rim



Plug **SX** with rim and screw



6 General fixings

	With rim	With greater anchorage depth, without rim	With rim and screw	Drill hole diameter	Min. drill hole depth	Anchor length	Wood and chip-board screws	Max. fixture thickness	Sales unit
	Art.-No.	Art.-No.	Art.-No.	$d_0$	$h_1$	$l$	$d_s / d_s \times l_s$	$t_{fix}$	[pcs]
Item	SX	SX	SX-S	[mm]	[mm]	[mm]	[mm]	[mm]	[pcs]
<b>SX 4 x 20</b>	<b>070004</b>	—	—	4	25	20	2 - 3	—	200
<b>SX 5 x 25</b>	<b>070005</b>	—	—	5	35	25	3 - 4	—	100
<b>SX 6 x 30</b>	<b>070006</b>	—	—	6	40	30	4 - 5	—	100
<b>SX 6 x 30</b>	—	—	<b>070021</b>	6	45	30	4,5 x 40	5	50
<b>SX 6 x 50</b>	<b>078185</b>	<b>024827</b>	—	6	60	50	4 - 5	—	100
<b>SX 8 x 40</b>	<b>070008</b>	—	—	8	50	40	4,5 - 6	—	100
<b>SX 8 x 40</b>	—	—	<b>070022</b>	8	65	40	5 x 60	15	50
<b>SX 8 x 65</b>	—	<b>024828</b>	—	8	75	65	4,5 - 6	—	50
<b>SX 10 x 50</b>	<b>070010</b>	—	—	10	70	50	6 - 8	—	50
<b>SX 10 x 80</b>	—	<b>024829</b>	—	10	95	80	6 - 8	—	25
<b>SX 12 x 60</b>	<b>070012</b>	—	—	12	80	60	8 - 10	—	25
<b>SX 14 x 70</b>	<b>070014</b>	—	—	14	90	70	10 - 12	—	20
<b>SX 16 x 80</b>	<b>070016</b>	—	—	16	100	80	12 (1/2")	—	10

## TECHNICAL DATA



**SX** in bucket

Item	Art.-No.	Drill hole diameter	Min. drill hole depth	Anchor length	Max. fixture thickness	Wood and chipboard screws	Sales unit
		$d_0$	$h_1$	$l$	$t_{fix}$	$d_s$	[pcs]
		[mm]	[mm]	[mm]	[mm]	[mm]	
<b>SX 6 in bucket</b>	<b>507900</b>	6	40	30	—	4 - 5	3200
<b>SX 8 in bucket</b>	<b>507904</b>	8	50	40	—	4,5 - 6	1200
<b>SX 10 in bucket</b>	<b>507909</b>	10	70	50	—	6 - 8	720
<b>SX 12 in bucket</b>	<b>523269</b>	12	80	60	—	8 - 10	350

## TECHNICAL DATA



Box SX 5/6/8

Profi-Box

Box UX / SX-S

Assortment box UX / SX

Item	Art.-No.	Contents	Sales unit [pcs]
Box SX 5/6/8	030191	100 plugs SX 5 x 25, 100 plugs SX 6 x 30, 100 plugs SX 8 x 40	1
Box UX / SX-S	093181	50 plugs UX 6 x 35, 50 screws 4,5 x 50, 50 plugs SX 6 x 30, 50 screws 4,5 x 45, 25 plugs UX 8 x 50, 25 screws 5 x 65, 25 plugs SX 8 x 40, 25 screws 5 x 50	1
Assortment box UX / SX	040991	60 plugs SX 6 x 30, 50 plugs SX 8 x 40, 20 plugs SX 10 x 50, 60 plugs UX 5 x 30 R, 40 plugs UX 6 x 50 R, 50 plugs UX 8 x 50 R, 10 plugs UX 10 x 60 R	1
Profi-Box SX	518524	International version: 60 Expansion plugs SX 6 x 30, 60 Expansion plugs SX 8 x 40, 12 Expansion plugs SX 10 x 50	1
Profi-Box SX + screws	518525	International version: 50 Expansion plugs SX 6 x 30, 30 Expansion plugs SX 8 x 40, 50 Chipboard screws 4,5 x 40, 30 Chipboard screws 5 x 60	1
Meister-Box SX-plug	041648	German version: 60 plugs SX 6 x 30, 60 plugs SX 8 x 40, 12 plugs SX 10 x 50	1
Meister-Box SX + screws	513777	German version: 50 Expansion plugs SX 6 x 30, 30 Expansion plugs SX 8 x 40, 50 Chipboard screws 4,5 x 40, 30 Chipboard screws 5 x 60	1

## LOADS

### Expansion plug SX

Highest recommended loads<sup>1)</sup> for a single anchor.

The given loads are valid for wood screws with the specified diameter.

Type		SX 4 x 20	SX 5 x 25	SX 6 x 30 SX 6 x 50	SX 8 x 40 SX 8 x 65	SX 10 x 50	SX 10 x 80	SX 12 x 60	SX 14 x 70	SX 16 x 80
Wood screw diameter	∅ [mm]	3	4	5	6	8	8	10	12	12
Min. edge distance concrete	c <sub>min</sub> [mm]	20	25	35	40	50	50	65	100	120
<b>Recommended loads in the respective base material F<sub>rec</sub></b> <sup>2)</sup>										
Concrete	≥ C20/25 [kN]	0,16	0,30	0,65	0,70	1,20	1,20	1,70	2,00	2,60
Solid brick	≥ Mz 12 [kN]	0,11	0,25	0,30	0,60	0,65	1,20	0,70	0,80	0,90
Solid sand-lime brick	≥ KS 12 [kN]	0,17	0,30	0,50	0,60	1,20	1,20	1,70	2,00	2,60
Aerated concrete	≥ AAC 2 [kN]	0,03	0,03	0,03	0,04	0,09	0,20	0,14	0,30	0,40
Aerated concrete	≥ AAC 4 [kN]	0,07	0,09	0,09	0,14	0,30	0,60	0,45	0,50	0,60
Vertically perforated brick	≥ Hlz 12 (ρ ≥ 1.0 kg/dm <sup>3</sup> ) [kN]	0,13	0,07	0,07	0,17	0,17	0,50	0,26	0,40	0,60
Perforated sand-lime brick	≥ KSL 12 [kN]	0,15	0,17	0,30	0,35	0,30	0,80	0,35	0,30	0,40
Gypsum block	[kN]	-	-	-	0,26	0,37	-	1,00	1,00	-

<sup>1)</sup> Required safety factors are considered.

<sup>2)</sup> Valid for tensile load, shear load and oblique load under any angle.