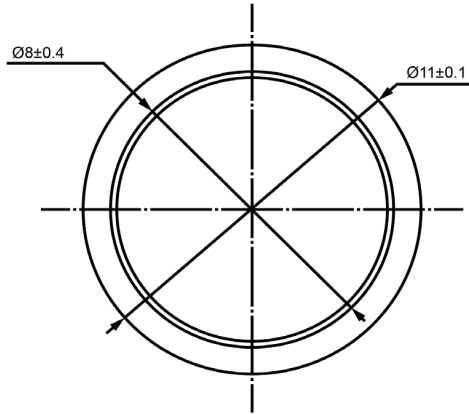
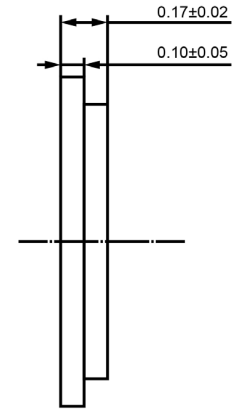



TOP VIEW



SIDE VIEW



| Specifications | | | Notes | Revision History | | | | | | | |
|--|-----------------|-------|--|------------------|---------------------------|-----------------|------------|-------------|------------|--|--|
| Description | Value | Unit | | Version | Description | Date | Approved | | | | |
| Resonant Frequency | 9,600 | (Hz) | 1) All dimensions are in mm unless otherwise noted 2) All parts meet RoHS | 1 | Released from Engineering | 10/21/2013 | J.S | | | | |
| Resonant Impedance (Max) | 1,000 | (Ohm) | | | | | | | | | |
| Max Input Voltage | 30 | (V) | | | | | | | | | |
| Capacitance | 12,000 | (pF) | | | | | | | | | |
| Plate Material | Stainless Steel | | | | | | | | | | |
| Operating Temperature | -20 ~ +60 | °C | | | | | | | | | |
| Storage Temperature | -20 ~ +70 | °C | | | | | | | | | |
|  | | | | | | | | | | | |
| | | | Piezo Bender | | | P11096-1 | | | | | |
| | | | | Drawn by | Date | Checked by | Date | Approved by | Date | | |
| | | | | A.B. | 10/21/2013 | C.E. | 10/21/2013 | J.S | 10/21/2013 | | |

Additional considerations can be found at www.dbunlimitedco.com/technical-articles.