

Single-pole Illuminated Rocker Switch

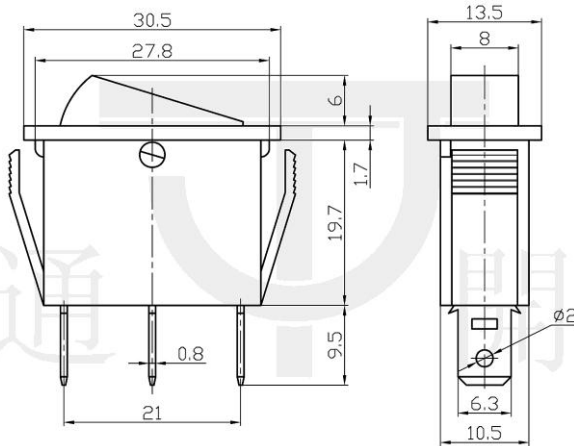
Q-1266

TYPE: **789 B-130**

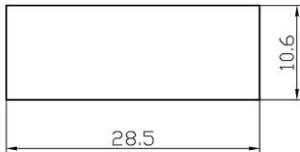
SPECIFICATIONS

Contact Type: SPST
Rating: 15A 250V AC
Contact R: 35mΩ max
Insulation R: 500V DC 100MΩ min
Dielectric Strength: 1 Minute 1500V AC
Operating Temperature: -25°C ~ +85°C
Electrical Life: 10, 000 Cycles

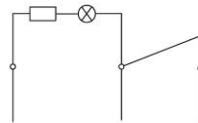
Outline Drawing



Mounting



Circuitry



ON - OFF