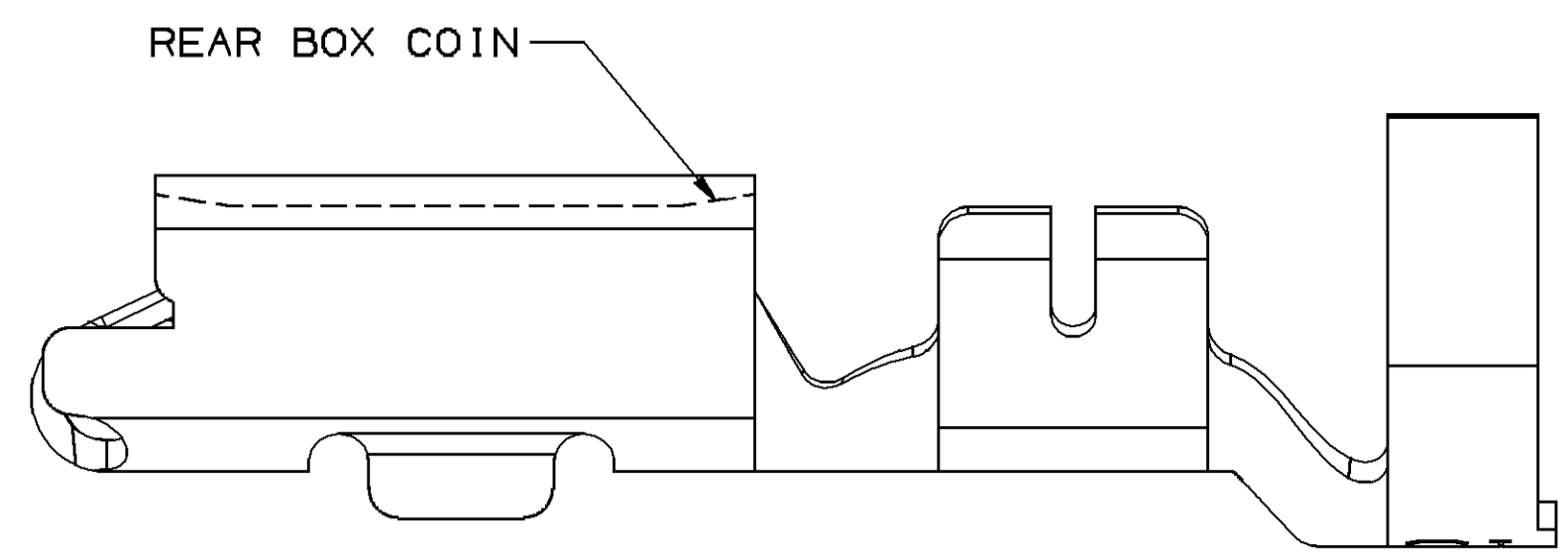
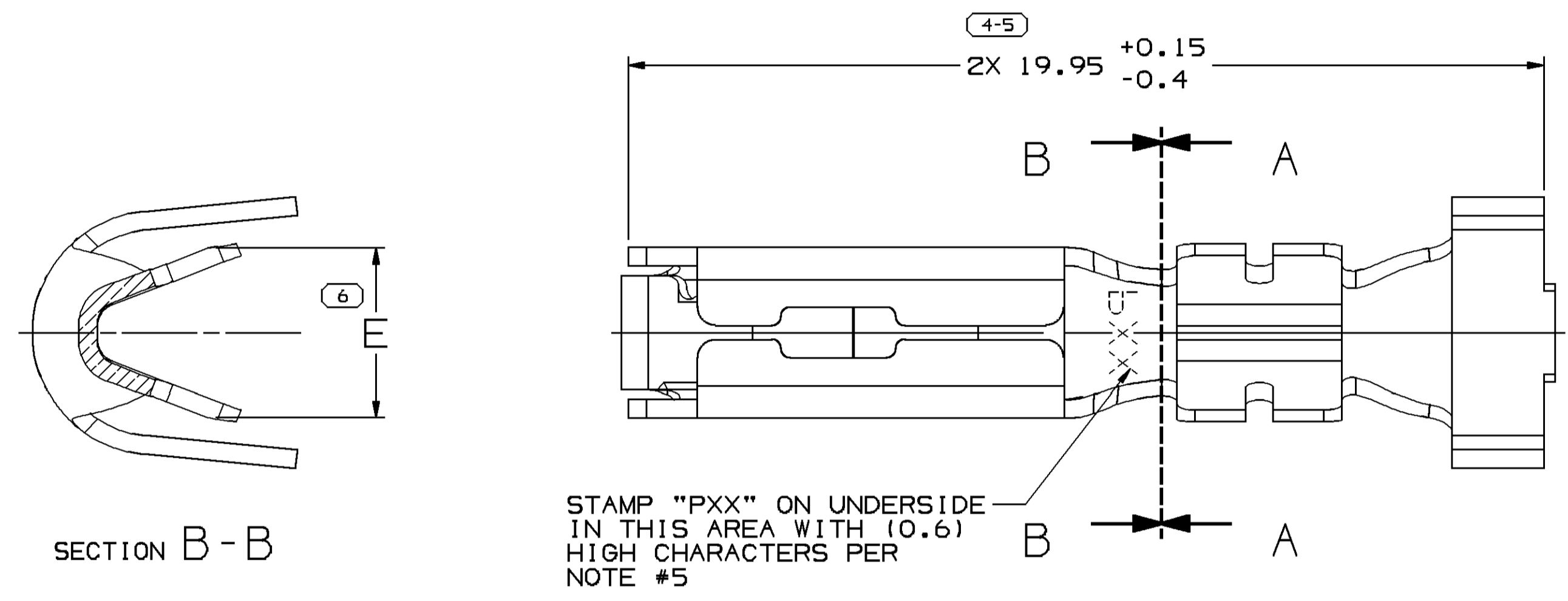
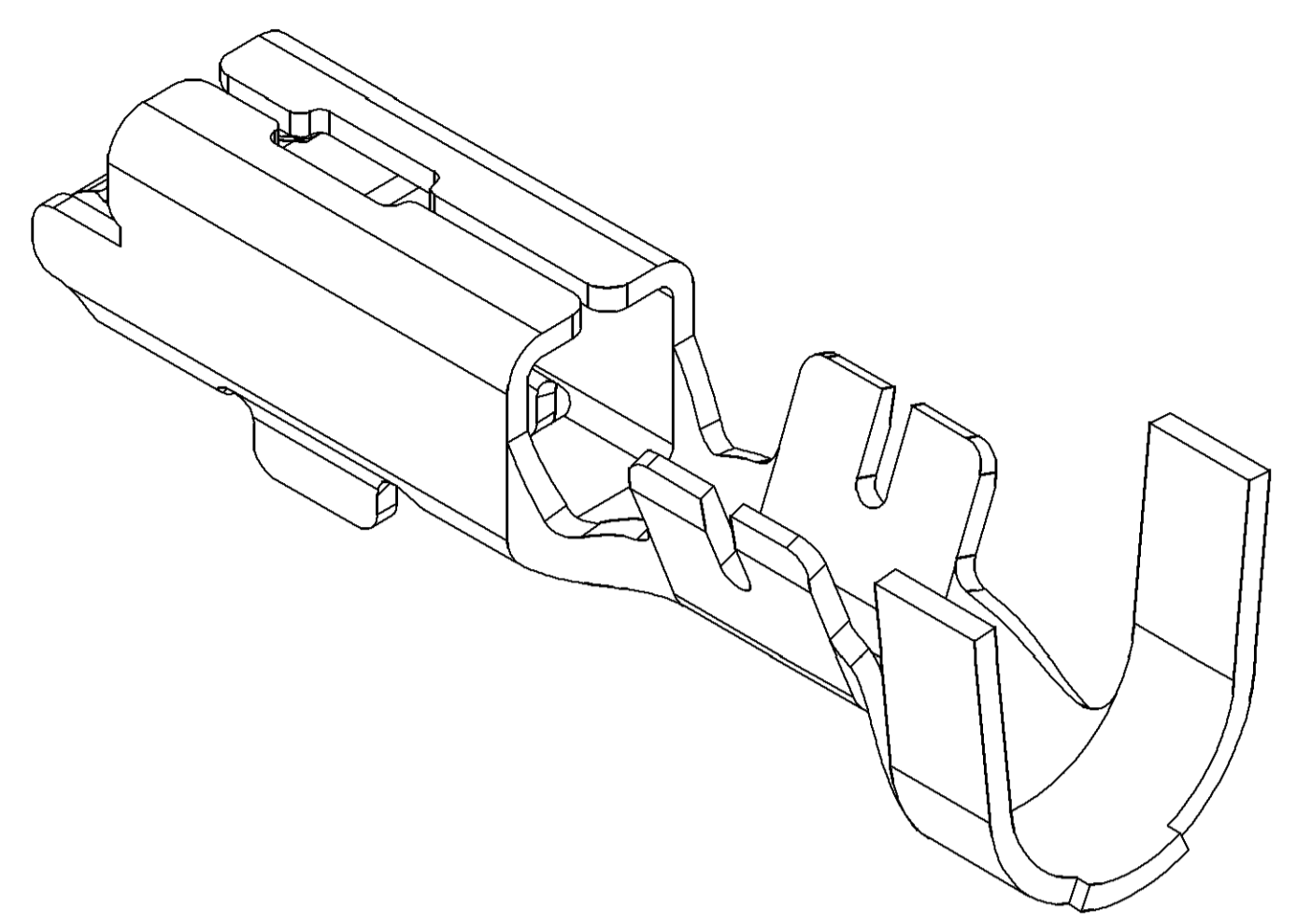


SYMBOL DEFINITION		MISSING NUMBERS	
THE NUMBER INSIDE THE SYMBOL CORRESPONDS TO THE NUMBER ON THE INSPECTION REPORT FOR THIS DRAWING/PART NUMBER	TOTAL NO. OF SYMBOLS ON DRAWING	7	
	LAST NO. USED	9	

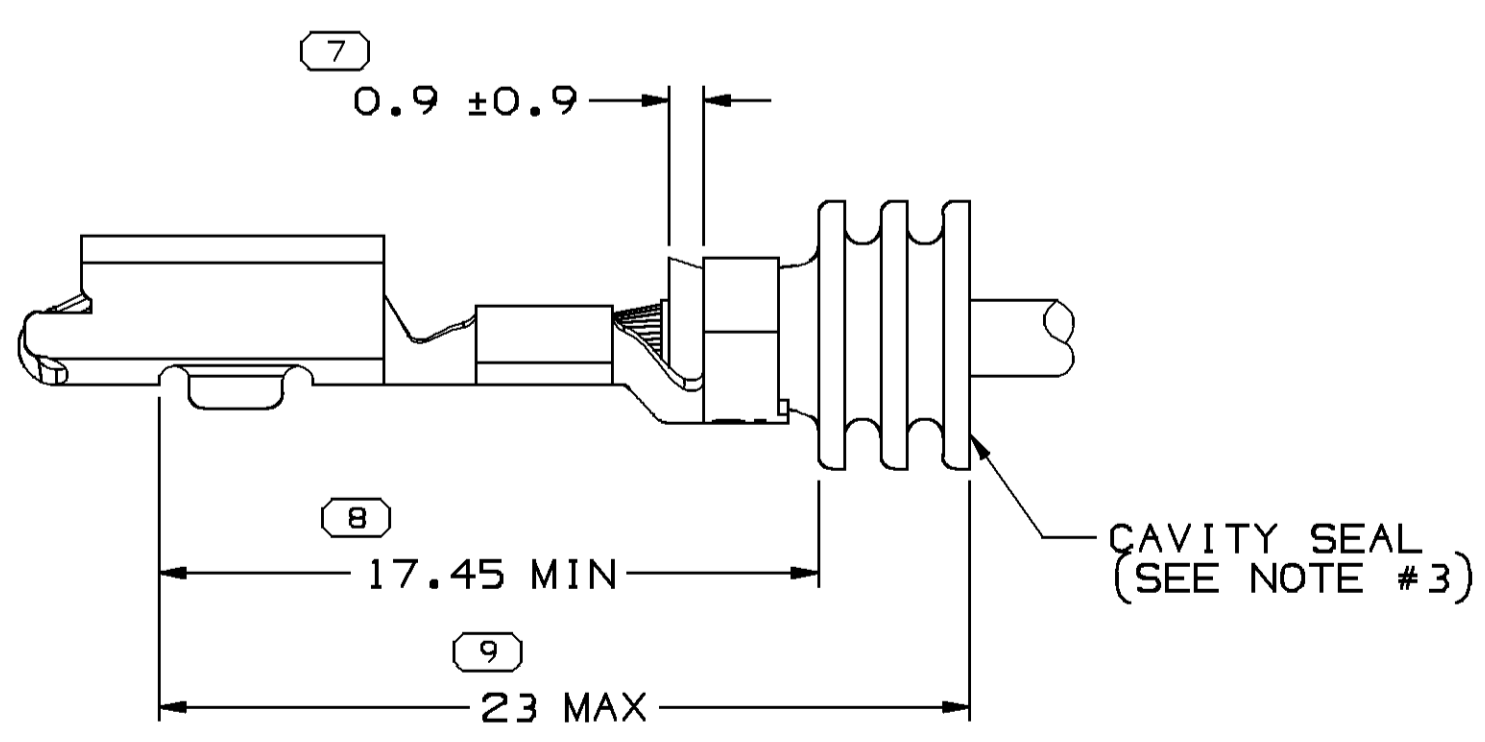
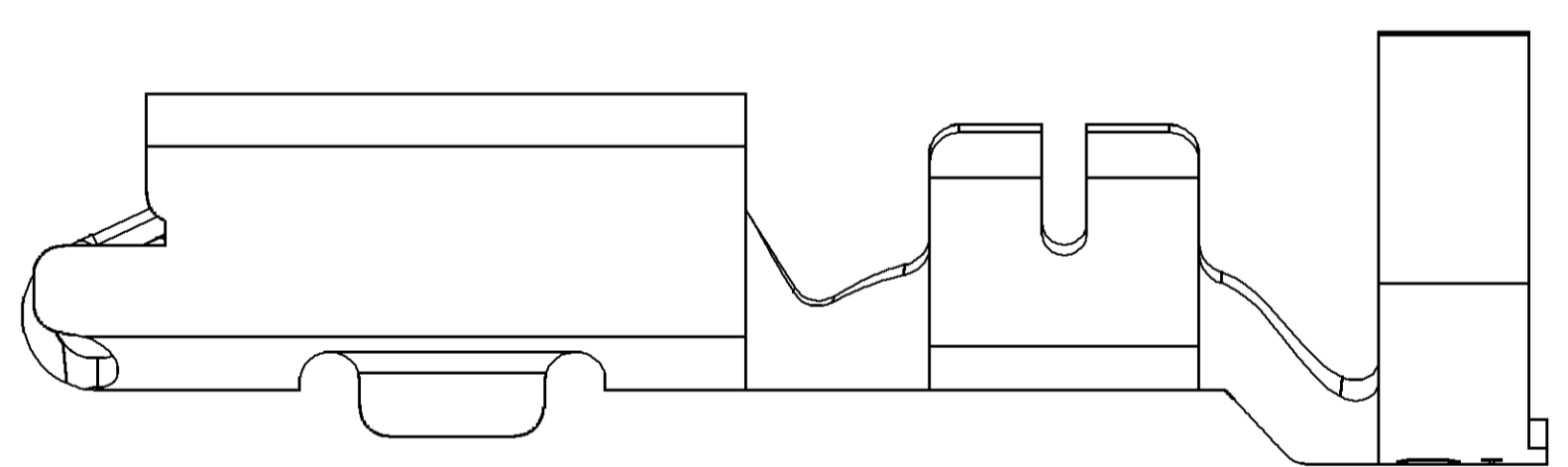
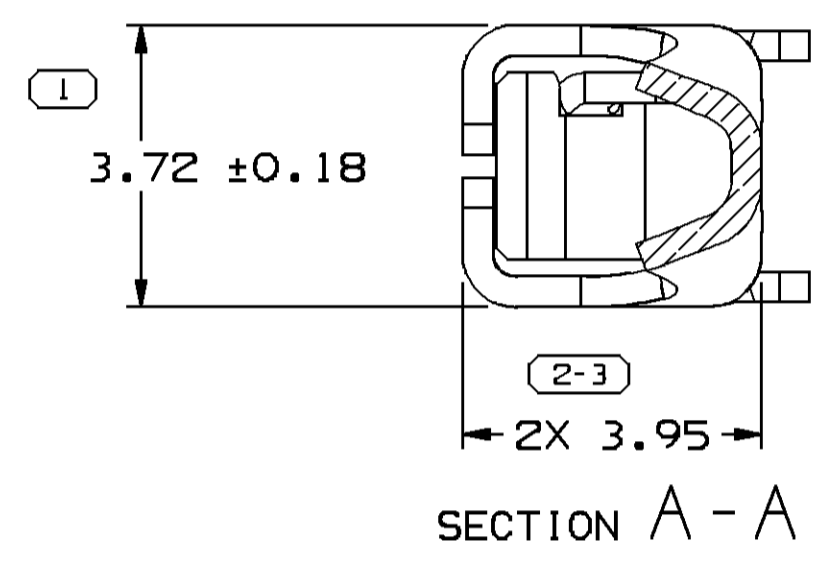
DWG STATUS					REVISION HISTORY				AUTH	DR	APVD 1	APVD 2
DATE	STG	REV	N/P	CHG	ZONE							
22FE00	R	001	-	-		ALL PARTS - REDRAWN TO PD		000009	EAR	RCH	OG	
22FE00	R	002	-	-		15383341 - RELEASED		000005	EAR	RCH	OG	
100C06	R	03	-	-		ALL PARTS - ADDED TERMINAL ID NOTE AND NOTE #4 & #5		285378	JTZ	JAA	MKM	
02N006	R	04	-	-		12176855 - MAT'L SPEC WAS M3658258		286475	RTV	JAA	MKM	
08DE06	R	05	-	-		12176855 MATERIAL SPEC REVISED PER CHANGE NOTICE 281527		287674	MM	MM	MKM	
27N014	R	06	-	-		ALL PARTS - ADDED TARNISH NOTE		428298	NRM	JVM	LES	



OPTIONAL CONSTRUCTION



STAMP "PXX" ON UNDERSIDE IN THIS AREA WITH (0.6) HIGH CHARACTERS PER NOTE #5



TERMINAL TO SEAL RELATIONSHIP SCALE 5:1

OVERALL DIMENSION MUST BE HELD TO ENSURE PROPER FUNCTION OF TPA.

NOTES

- UNLESS OTHERWISE SPECIFIED AND/OR INDICATED: DIMENSIONS ARE TO FACE OF VIEW SHOWN AND AUTOMATICALLY ROUNDED BY COMPUTER FOR INSPECTION (SEE MATH MODEL FOR PRECISE DIMENSIONS). FOR ALL OTHER DIMENSIONS NOT SHOWN BUT REQUIRED FOR TOOL BUILD, SEE MATH MODEL FOR PRECISE TOOL PATH DATA.
- RECOMMENDED MATING BLADE - WIDTH 2.8 ± 0.08, THICKNESS 0.825 ± 0.035
- TERMINAL TO CRIMP AROUND AND RETAIN CAVITY SEAL 12015323 OR EQUIVALENT.
- DO NOT PROBE, TEST OR OTHERWISE CONTACT THE INTERIOR REGION (THE SPRING OR ANY MOVING PART) OF THIS TERMINAL. SEVERE DAMAGE CAN OCCUR, COMPROMISING THE PERFORMANCE OF THE ELECTRICAL INTERFACE.
- "PXX" INDICATES "P" PLUS THE LAST TWO DIGITS OF MAKE DIE SERIES NUMBER (P01, P02, P03, ETC.).
- FOR TERMINALS PACKAGED & STORED IN THE APPROVED MANNER, TARNISH ON SILVER PLATED SURFACES WILL NOT AFFECT THE PERFORMANCE OF THE PART

INDICATES THAT PHYSICAL PARTS ARE NOT AVAILABLE FOR ORDERING.	
PART NUMBERS THAT DO NOT HAVE A LINE PRESENT INDICATE THAT PHYSICAL PARTS ARE AVAILABLE FOR ORDERING.	
CONTACT DELPHI SALES TO ASSURE AVAILABILITY OF PARTS.	
DWG TYPE: PART DRAWING	
STYLE: D	
VOLUME (CPI)	DISTR CODE
	D
UNLESS OTHERWISE SPECIFIED THIS DOCUMENT IS IN ACCORDANCE WITH ASME Y14.5M-1994 AS AMENDED BY THE GM GLOBAL DIMENSIONING AND TOLERANCING ADDENDUM-2001. SEPARATE PATTERNS OF FEATURES MAY BE GAGED SEPARATELY REGARDLESS OF DATUM REFERENCES.	
ALL DIMENSIONS ARE IN MILLIMETERS	
REFERENCE:	
THIRD ANGLE PROJECTION	DO NOT SCALE
USE MATH DATA	NX

DELPHI
 DELPHI PACKARD ELECTRICAL/ELECTRONIC ARCHITECTURE
 WARREN, OH
 COPYRIGHT © DELPHI CORPORATION AND/OR ITS AFFILIATES. ALL RIGHTS RESERVED.

THIS DRAWING IS THE PROPERTY OF DELPHI CORPORATION AND CONTAINS DELPHI CONFIDENTIAL INFORMATION. THE REPRODUCTION, DISTRIBUTION AND UTILIZATION OF THIS DOCUMENT OR ITS RELATED CAD MATH DATA, AS WELL AS COMMUNICATION OF ANY CONTENT TO OTHERS, WITHOUT EXPRESS AUTHORIZATION, IS PROHIBITED.

DR	DATE
APVD1 E. RODRIGUEZ	22FE00
APVD2 R. CHACON	09MR00
APVD3 O. GALLEGOS	09MR00
APVD4	
APVD5	

SUBSTANCES OF CONCERN AND RECYCLED CONTENT PER DELPHI 10949001

MATERIAL SEE CHART

DRAWING NAME: TAXI TERM F M/P 280 SEALED

DRAWING NUMBER: 12129032

SIZE	SCALE	FRAME NO	SHEET NO	STG	REV	N/P
A1	10:1	1 OF 1	1 OF 1	R	06	-

PART NO	REV	N/P	MAT'L SIZE	MAT'L SPEC	PART NO	REV	N/P	MAT'L SPEC	SIZE (MM ²)	DIA	ID	BLANK TYPE
			0.406X30.56		15383341	01	AC	M3640258 C17410 1/2 HD	3/2	3.8-2.45	13	4
			0.406X30.56		12176855	A5		M3644258 C17410 1/2 HD	5/3	4.2-3	11	4.6
			0.406X30.56		12129409	D4		M1574258 C42500 EX HD	2/1	3.05-2.48	15	3.7
			0.406X30.56		12110853	E3		M1574258 C42500 EX HD	5/3	4.2-3	11	4.6
			UNPLATED					PLATED				
								CABLE				

PROCESS SENSITIVE DIMENSION	
DIMENSIONS ENCLOSED IN () INDICATE REFERENCE DIMENSIONS AND NO TOLERANCE LIMITS ARE ESTABLISHED	
DIMENSIONAL RANGE (MM)	CHART D
FROM 0	> 12
TO 12	
TOLERANCE UNLESS OTHERWISE SPECIFIED	
±0.1	±0.2
ANGULAR TOLERANCE ±2°	

Mouser Electronics

Authorized Distributor

Click to View Pricing, Inventory, Delivery & Lifecycle Information:

[Aptiv:](#)

[12110853](#) [12110853-L](#) [12129409-L](#) [12110853-MR](#)