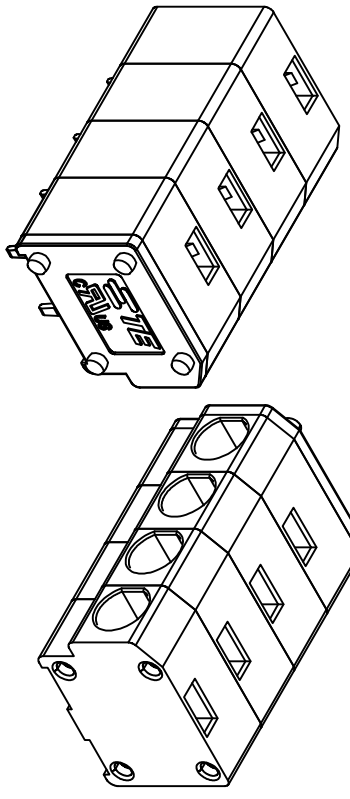
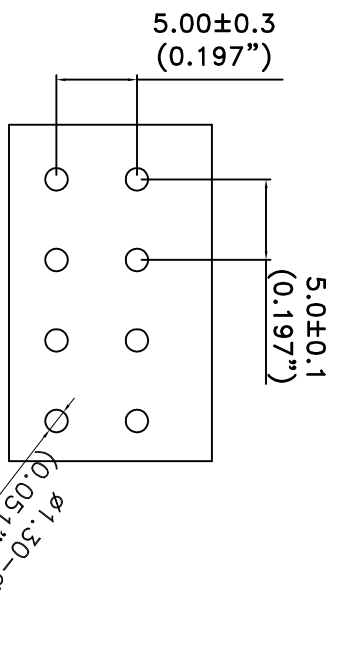
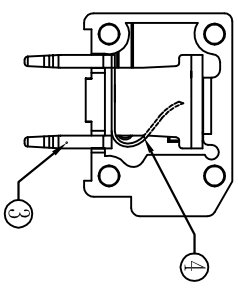
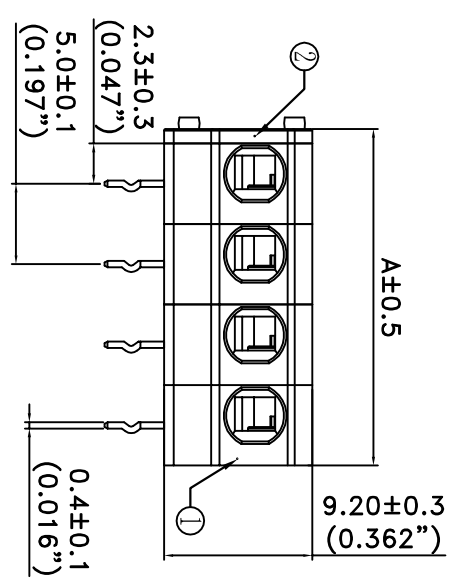
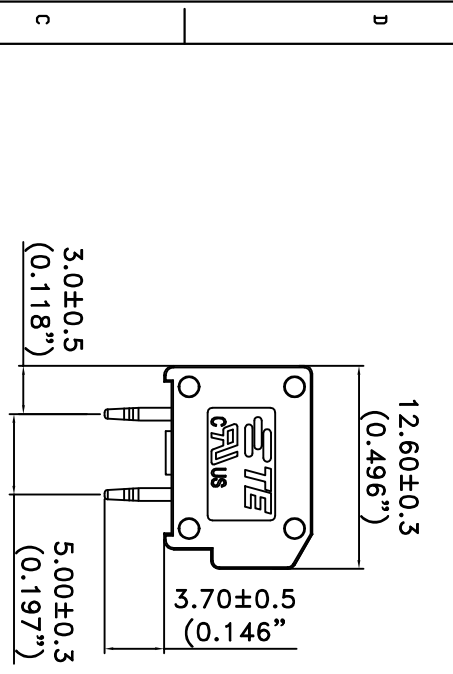


REV. NO.	DATE	BY	APP'D
1			

REV. NO.	DESCRIPTION	DATE	BY	APP'D
1	1st VERSION			



PCB Layout

NOTES :

- 1. MATERIALS AND FINISH:
 - HOUSING: PA66
 - CONTACTS: COPPER, FINISH: TIN OVER COPPER UNDERPLATE
- 2. MUST COMPLY WITH DIRECTIVE 2002/95/EC (ROHS)
- 3. WIRE TYPES AND SIZES ACCEPTED
 - WIRE RANGE: 14AWG~20AWG.
 - STRIP LENGTH: 9.0mm~10.0mm
- 4. PACKAGED IN TRAY.
- 5. CURRENT RATING: 10Amp AC300V.
- 6. OPERATION TEMPERATURE: -40°C TO +105°C
- 7. THIS PART NO. IS THE SAME STRUCTURE AS THE SERIES: 2834089
 THE DATASHEET AND MORE DETAILS PLEASE FOLLOW THE SERIES: 2834089

NO. OF POSN	PART NO
2 POSN	2834089-1
3 POSN	2834089-2
4 POSN	2834089-3
5 POSN	2834089-4
6 POSN	2834089-5
7 POSN	2834089-6
8 POSN	2834089-7

THIS DRAWING IS A CONTROLLED DOCUMENT

DESIGNER	CHK'D	DATE	REV
REV	DATE	REV	DATE
DATE	DATE	DATE	DATE

50 Horizontal Entry Screwless Connector

TE Connectivity

2834089

Mouser Electronics

Authorized Distributor

Click to View Pricing, Inventory, Delivery & Lifecycle Information:

[TE Connectivity:](#)

[2834089-3](#)