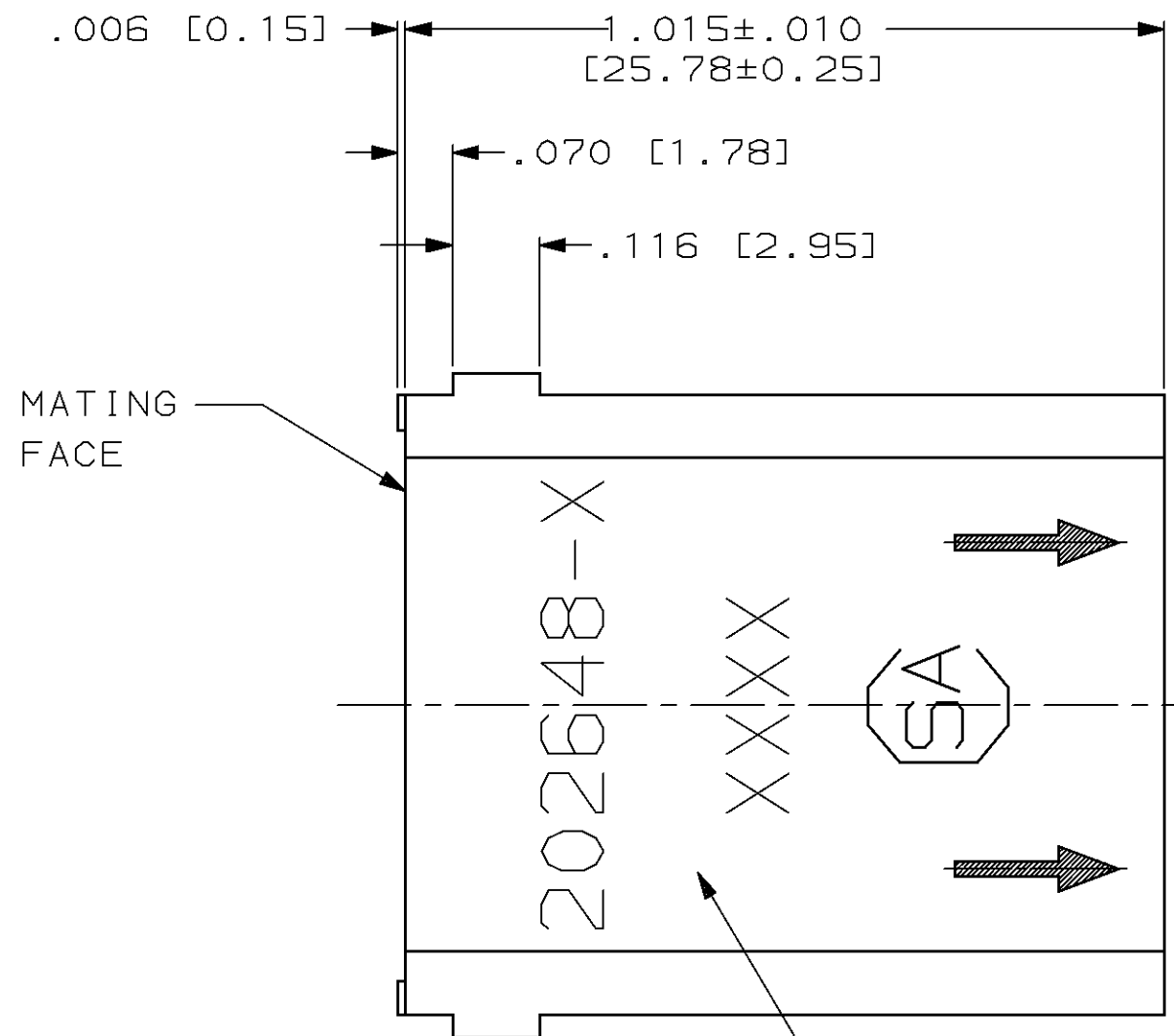
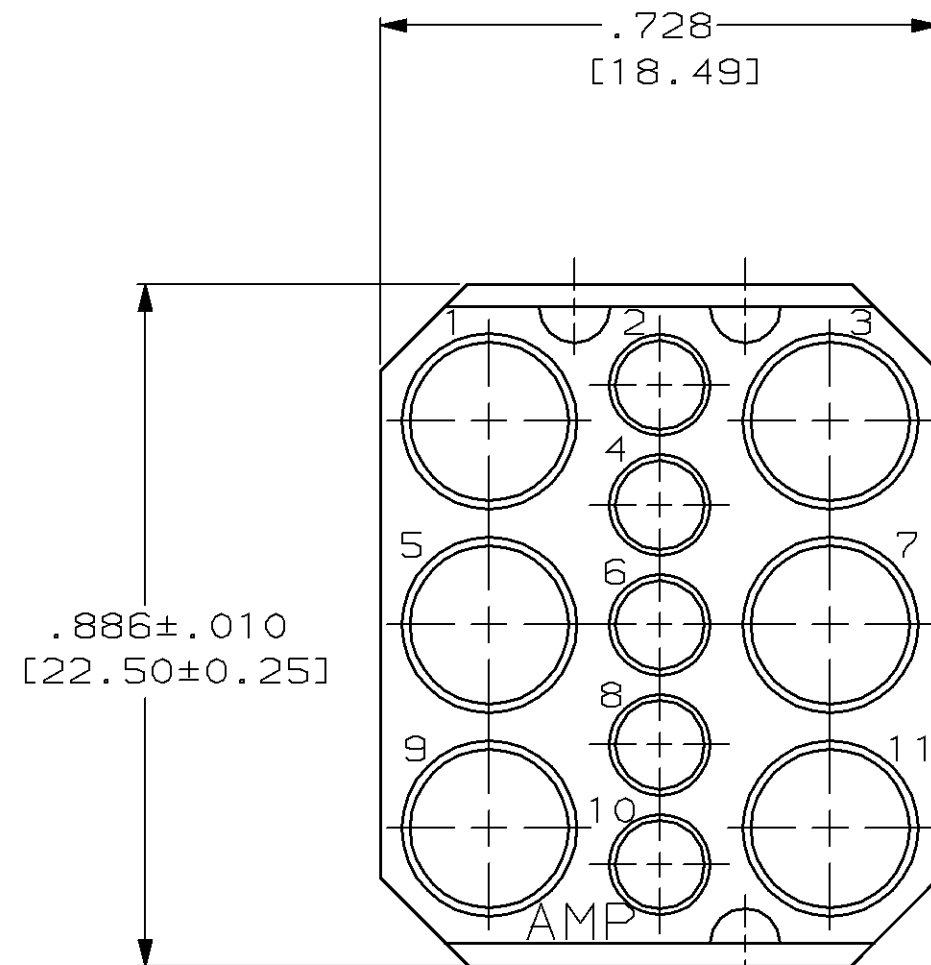
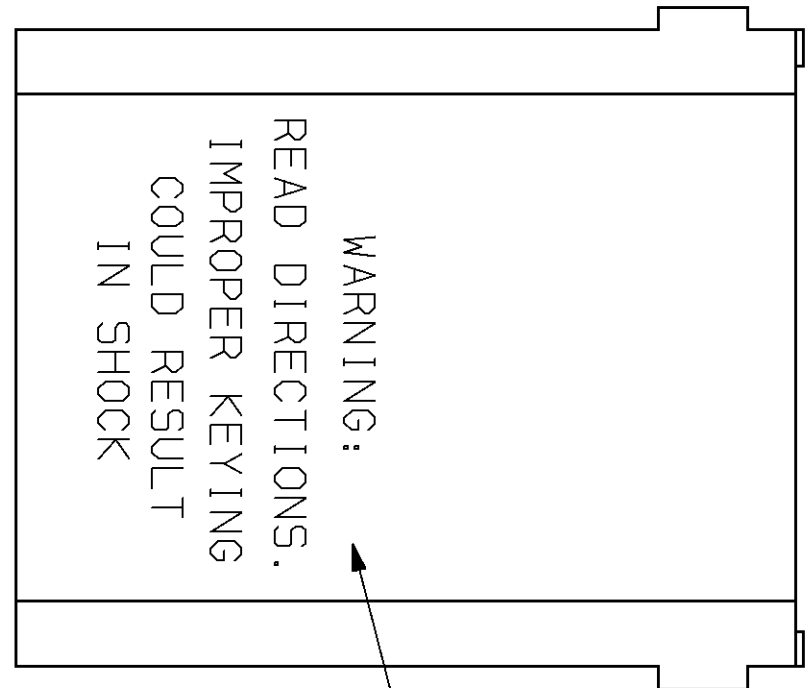


LOC	DIST	P	F	REVISIONS				
				ZONE	LTR	DESCRIPTION	DATE	APPD
DF	BO			F		REV & REDRAWN DF-4297 PY	11-91	DBM
				G		REV PER 0600-4161-95 JB	08-95	DBM



1 MATERIAL: DIALLYL PHTHALATE PER MIL-M-14, TYPE SDG-F, COLOR: BLUE

2 MATERIAL: PHENOLIC PER MIL-M-14, TYPE CFG, COLOR: BLACK

3 AMP PART NO, DATE CODE, CSA CERT AND ARROWS MARKED WITH WHITE INK OR BY LASER MARKING AT APPROXIMATE AREA SHOWN, EITHER SIDE

4. THIS MODULE WILL ACCOMMODATE:
 (6) MINIATURE COAXICON OR TYPE I SIZE 12 PIN CONTACTS AND
 (5) SUBMINIATURE COAXICON, TYPE II SIZE 16, TYPE III(+) SIZE 16 OR TYPE VI SIZE 16 PIN CONTACTS

5 WARNING STATEMENT MARKED WITH WHITE INK AT APPROXIMATE AREA SHOWN, ON SIDE OPPOSITE PART NUMBER.

2	202648-4
1	202648-2
MATERIAL	PART NUMBER

DO NOT SCALE PRINT. UNLESS SPECIFIED DIMENSIONS IN INCHES [mm] TOLERANCES ON : 2 PLC DEC ± - 3 PLC DEC ± .005 ANGLES ± -		DR 9-12-91 P. YEAGER		AMP Incorporated Harrisburg, PA 17105-3608	
MATERIAL SEE TABLE		CHK 11-12-91 D.B. MUMMEY			
FINISH -		APPD 11-12-91 D.B. MUMMEY		NAME	
		APPD -		MALE BLOCK G SERIES, 11 POSN	
		PRODUCT SPEC -			
		APPLICATION SPEC -		SIZE	CAGE CODE
		WEIGHT -		C	00779
				DRAWING NO	202648
				SCALE	4:1
				SHEET	1 OF 1

Mouser Electronics

Authorized Distributor

Click to View Pricing, Inventory, Delivery & Lifecycle Information:

[TE Connectivity:](#)

[202648-4](#)